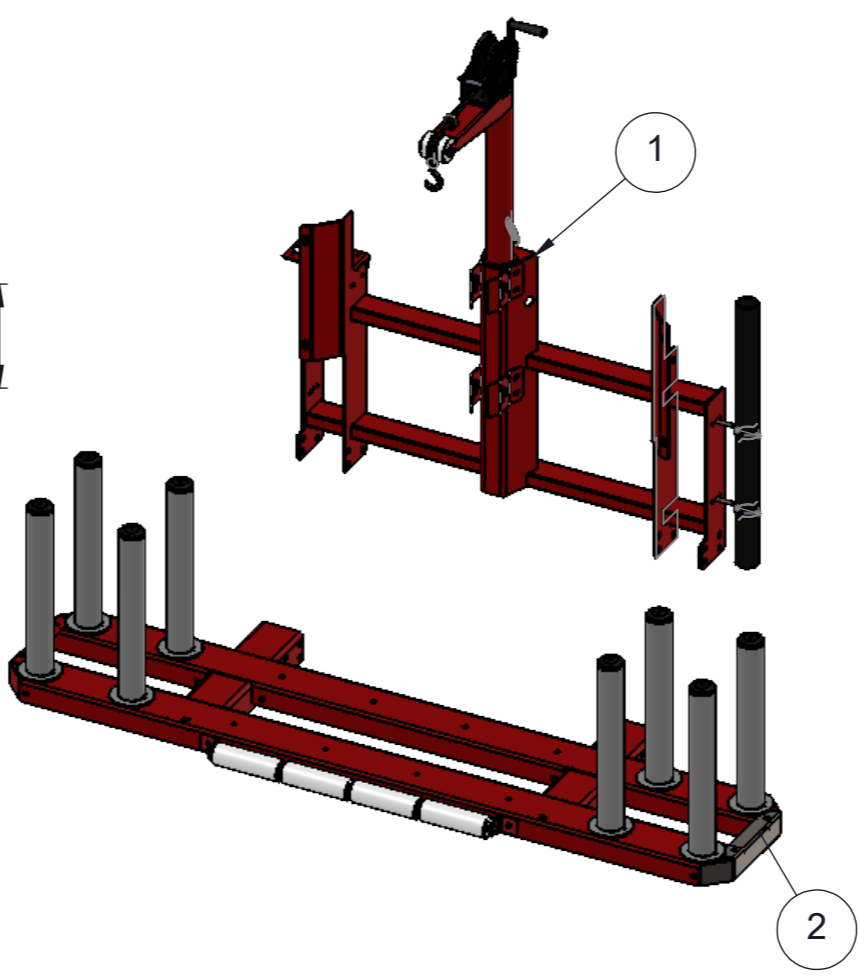
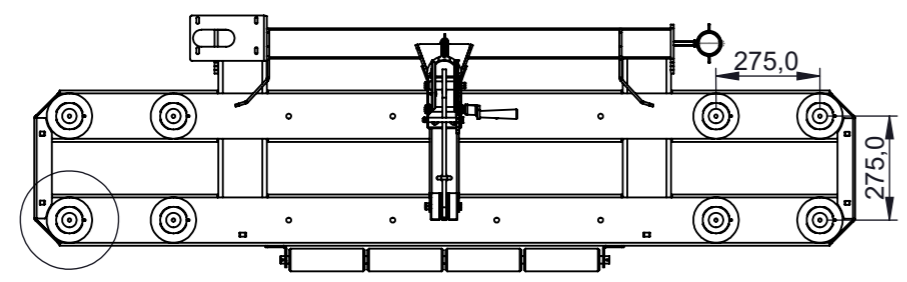
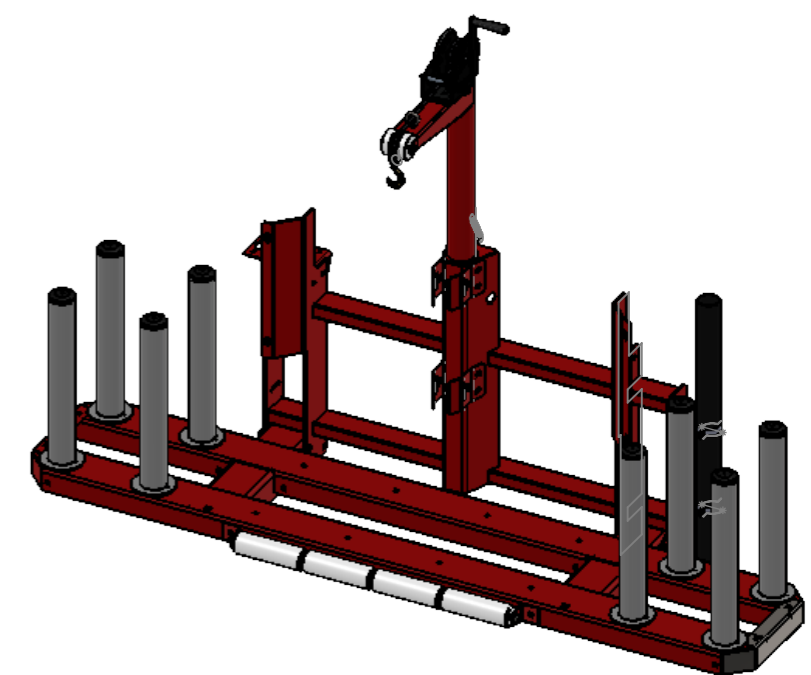
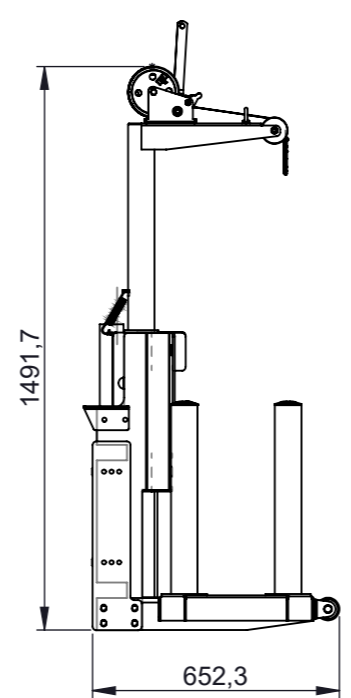
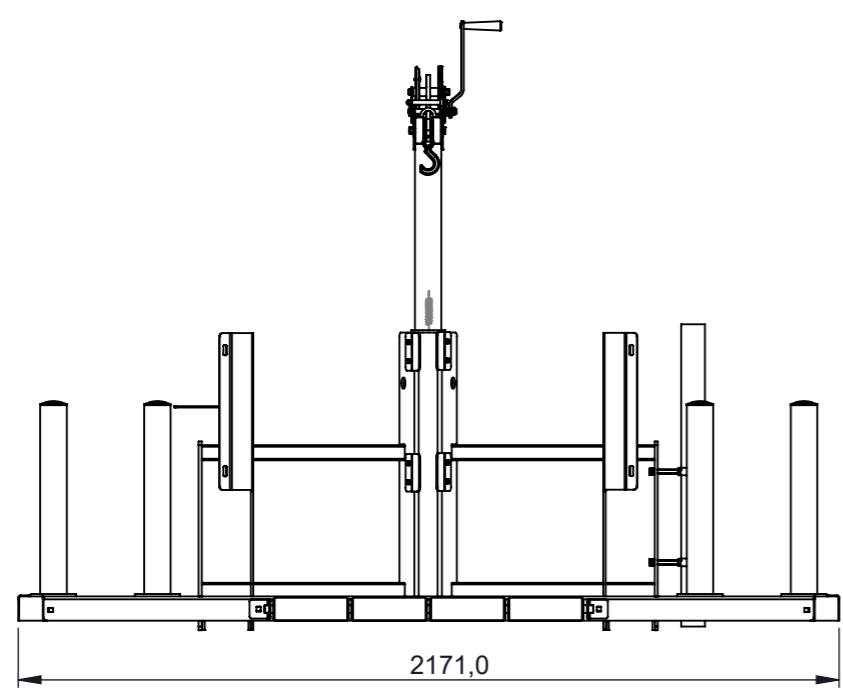



ITEM NO.	PART NUMBER	DESCRIPTION	QTY.
1	720090	Montert ramme	1
2	720095	Montert nedre ramme	1



Material:	Thickness:	Surface treatment:	
Tolerance not specified according to: NS-1430:	Sheet scale: 1:20	Drawing number: 7295050	Revisjon: T1
Designed by: 08.02.2019	Weight	Projection: A3	Frontstativ for plast og syre
Serigstad Agri AS			
Content in:	Project: Test	Replaced by: Helge	