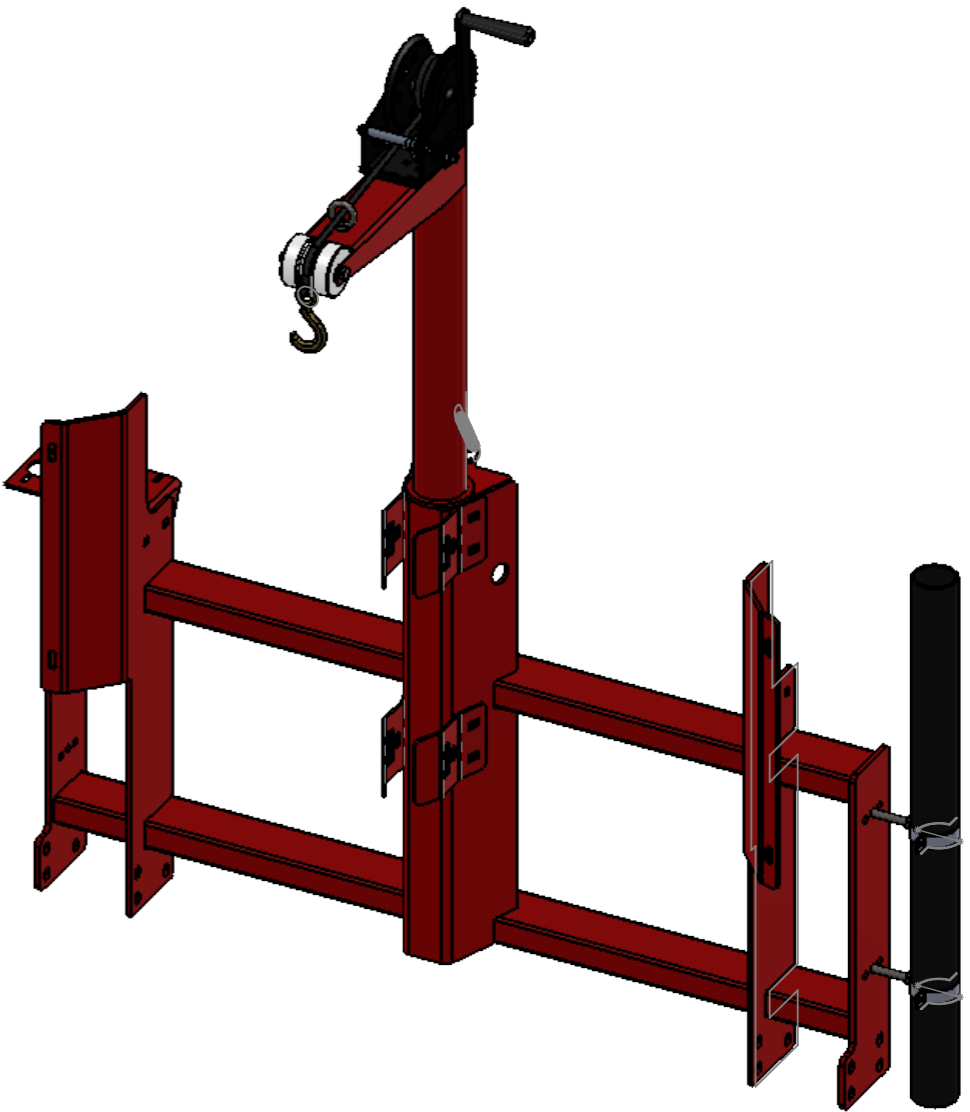
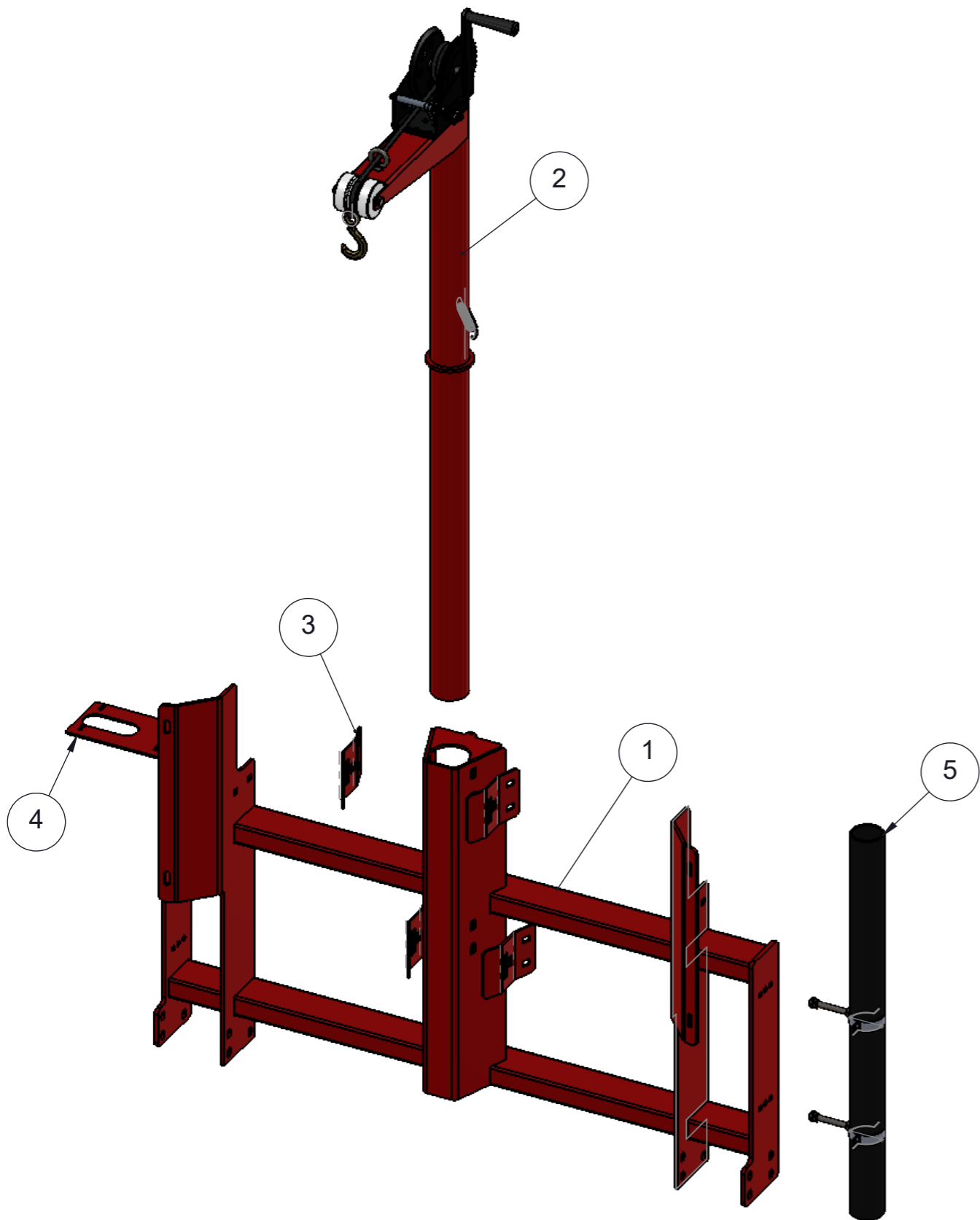



ITEM NO.	PART NUMBER	DESCRIPTION	QTY.
1	720080	Ramme	1
2	720085	Komplett vinsj arm	1
3	720060	Fatstøtte	4
4	720057	Pumpebrakett	1
5	720088	Parkeringsrør med holdere	1



Material:	Thickness:	Surface treatment:	
Tolerance not specified according to: NS-1430:	Sheet scale: 1:20	Drawing number: 720090	Revision: T1
Designed by: 11.02.2019	Weight	Projection: A3	Montert ramme
Serigstad Agri AS			
Content in:	Project: Test	Replaced by: Helge	