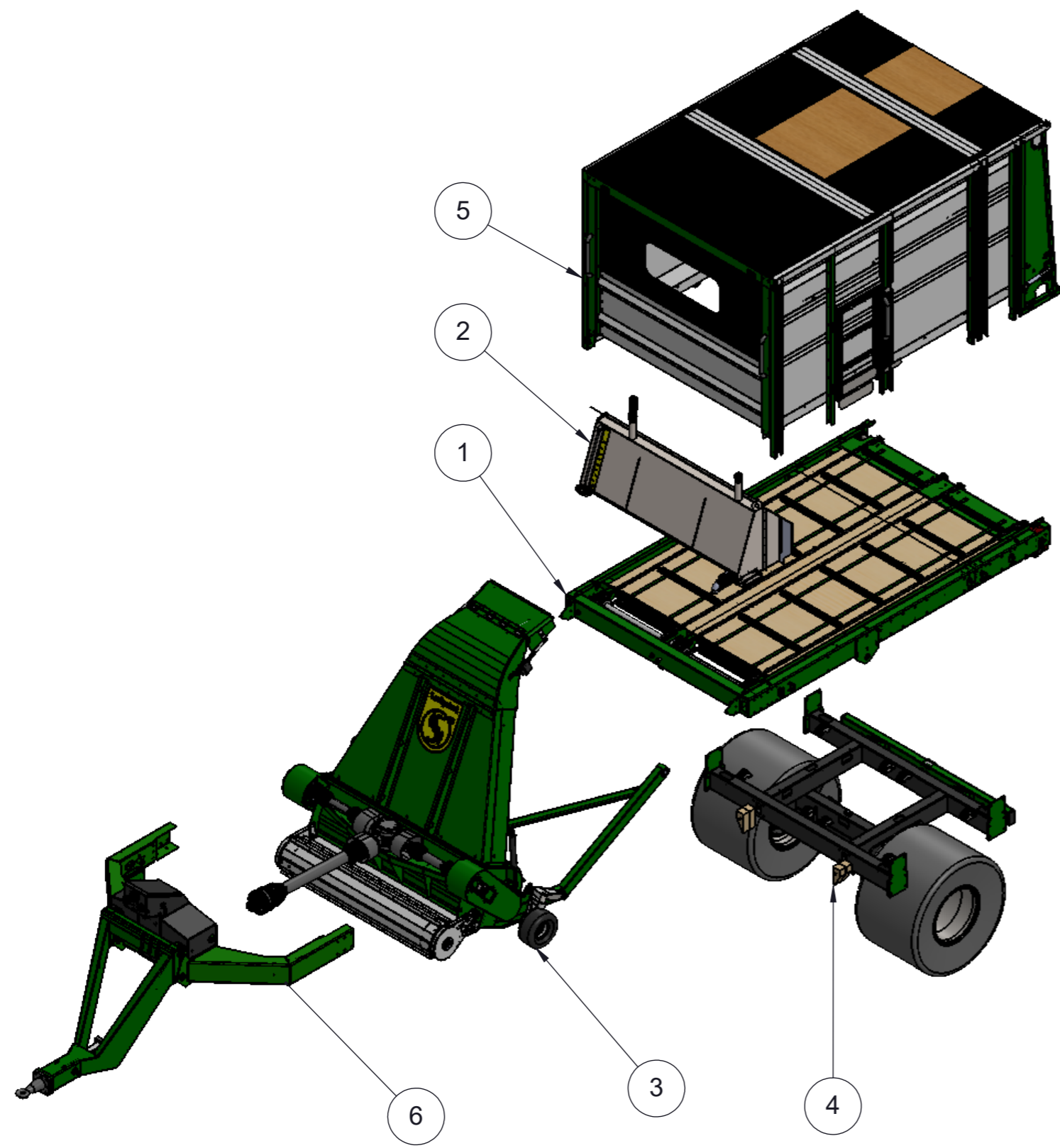

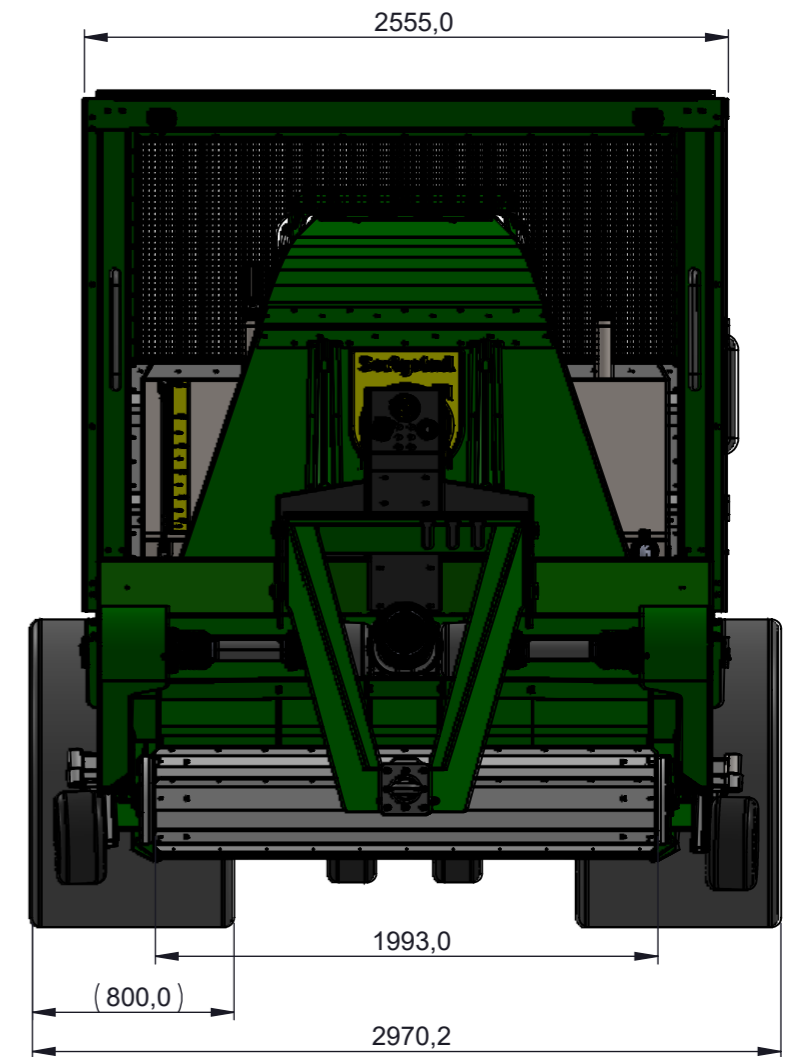
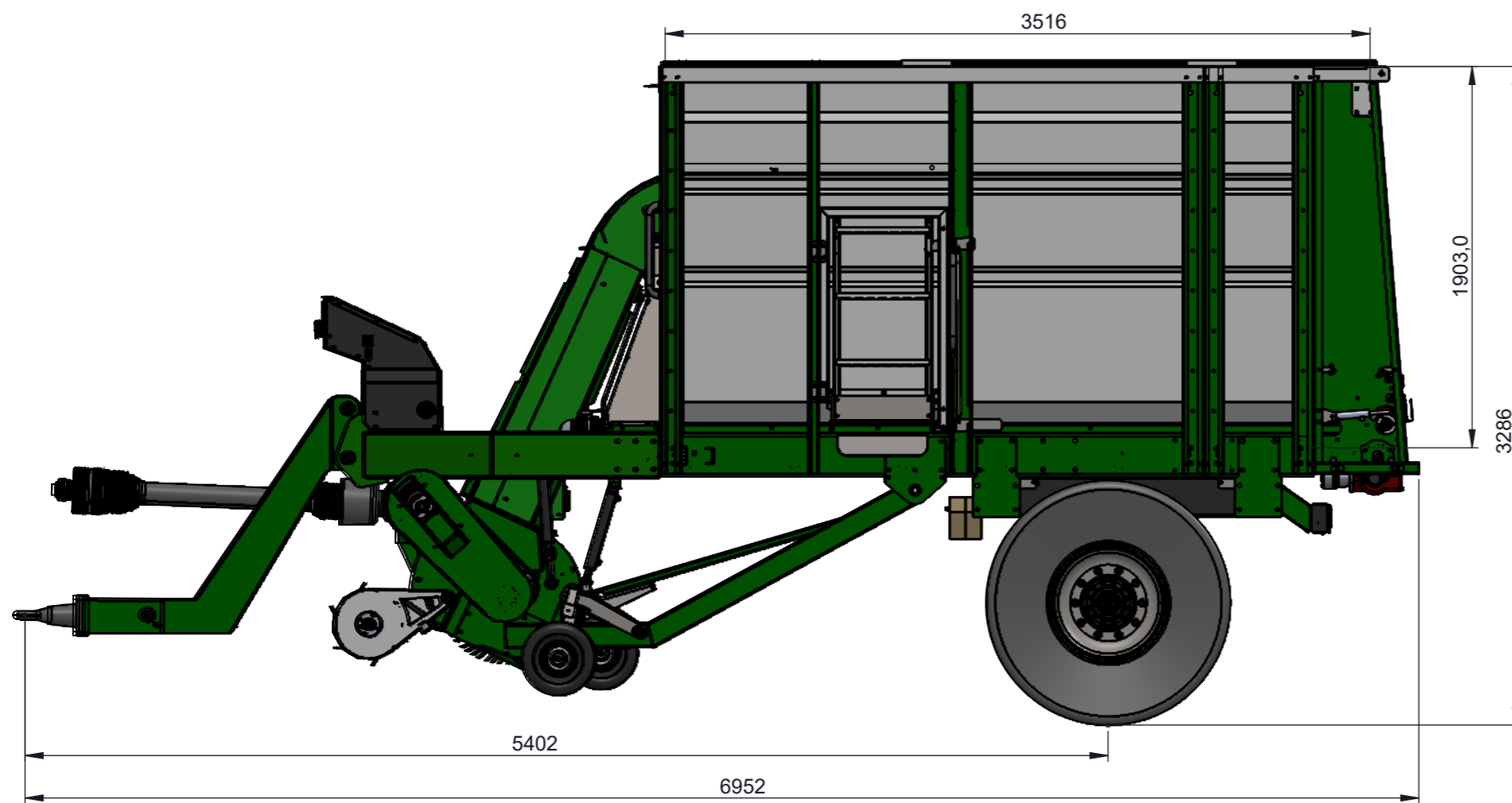


ITEM NO.	PART NUMBER	DESCRIPTION	QTY.
1	32410	Bunnramme kort monteret	1
2	31860	Syretank monteret	1
3	31050	Proessor monteret	1
4	32450	Understell enkelakslet monteret	1
5	32440	Overbygg 17 kubikk	1
6	32970	Drag og ramme monteret	1



Material:		Thickness:	Surface treatment:	
Tolerance not specified according to: NS-EN 1430:2009.		Sheet scale:	Drawing number:	Revision:
Designed by: Helge		17.03.2026	1:100	32400
Weight		4.250 Kg	Projection:	A3
		Fønix Multikutter 17		
		Content in:	Project:	Replaced by:



Material:		Thickness:	Surface treatment:	
Tolerance not specified according to: NS-EN 1430:2009.		Sheet scale:	Drawing number:	Revision:
Designed by: Helge		1:100	32400	T2
Weight 4.250 Kg		Projection: A3	Fønix Multikutter 17	
Content in:		Project:	Replaced by:	

