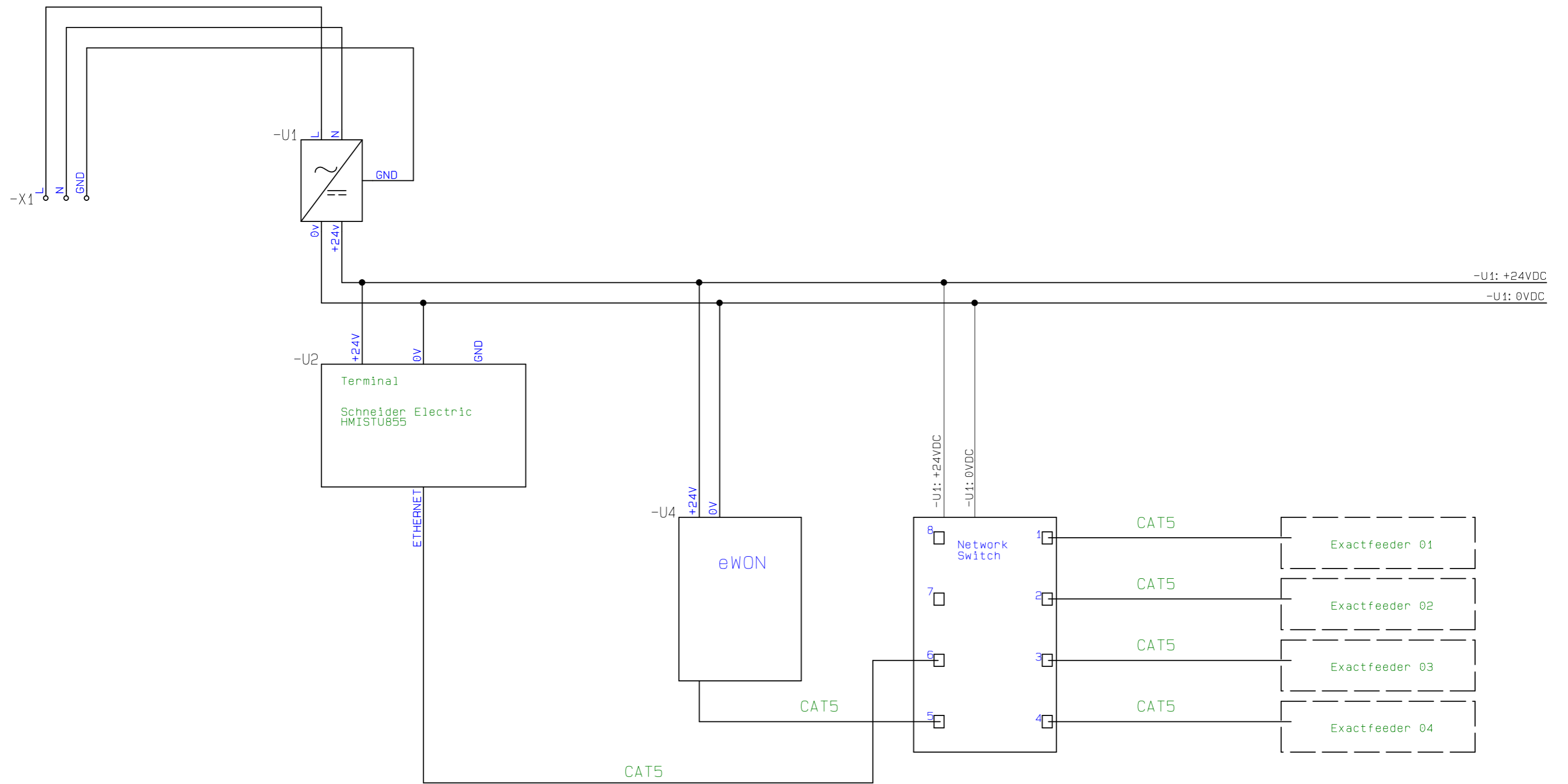
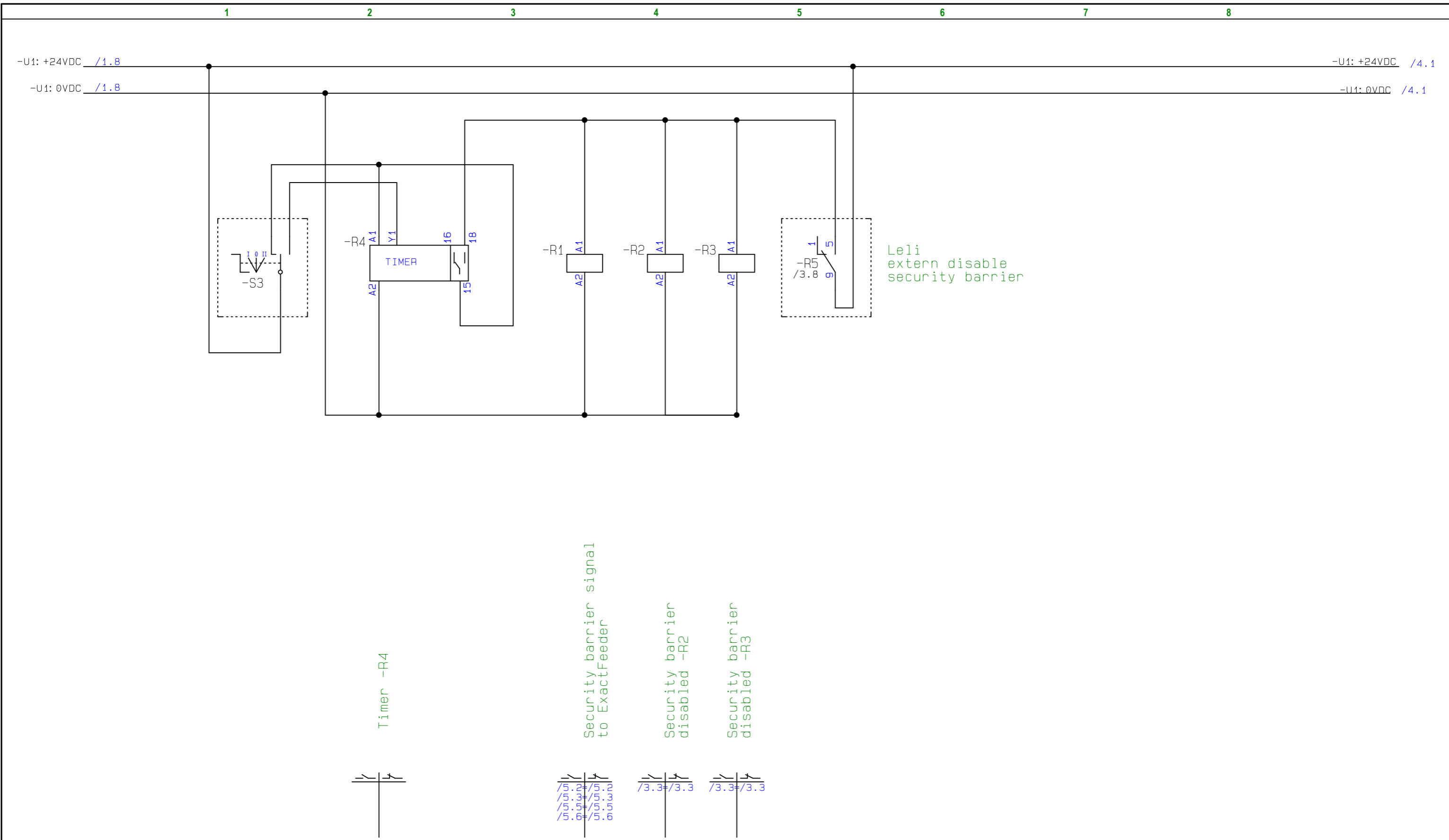


SafeGuard

SafeGuard

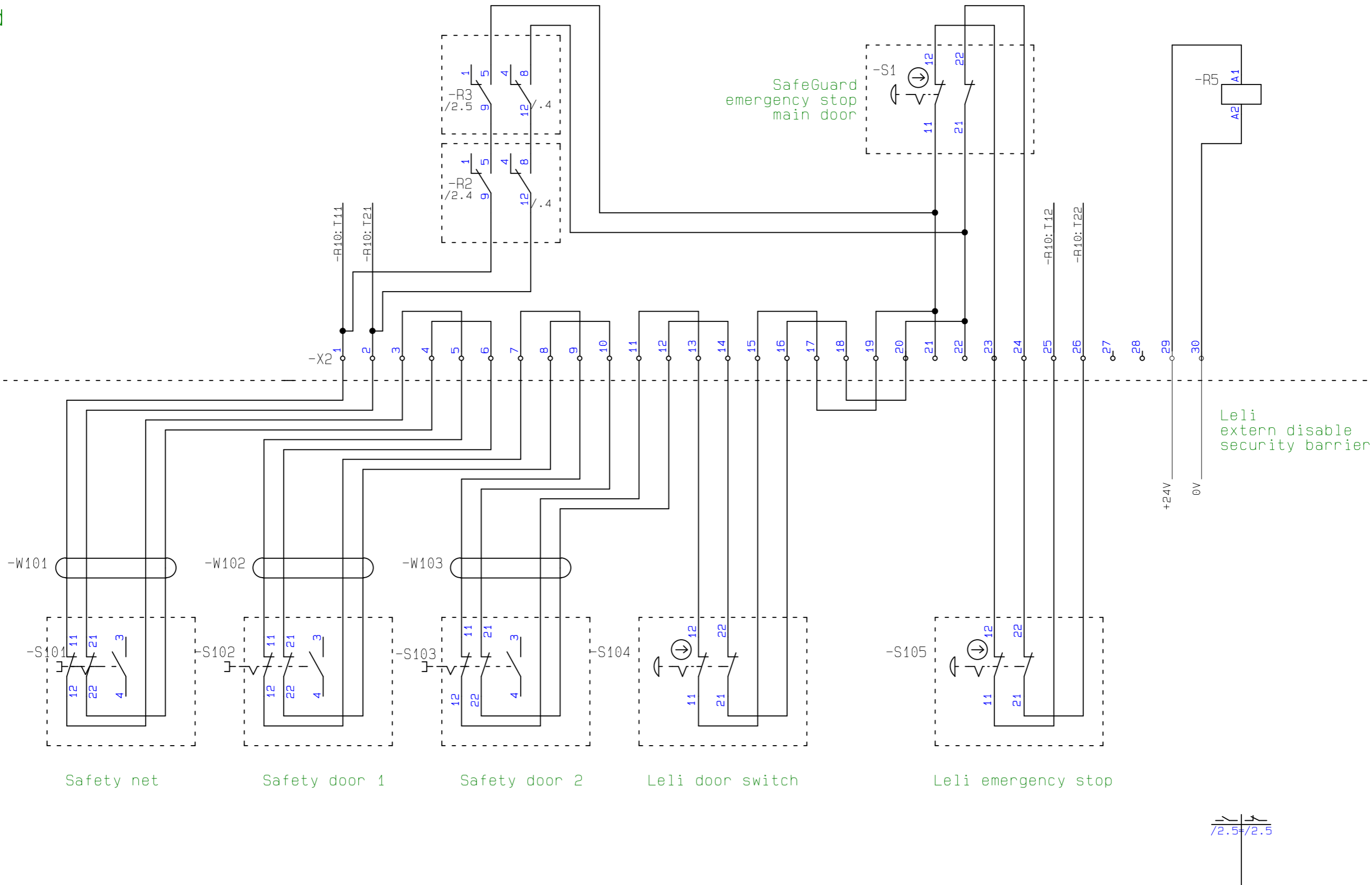


Project title: SafeGuard	Project no.:	Project rev.:	Page 1
Customer:	DCC:		Scale: 1:1
Page title: 1	Drawing no.:	Page rev.:	Previous page: SafeGuard
Filename: SafeGuard Snr327_331	Constructor:	Last printed: 11.02.2019	Next page: 2
Page ref.:	Appr. (date/sign.):	Last correction: 11.02.2019	Number of pages: 6



Project title: SafeGuard	Project no.:	Project rev.:	Page 2
Customer:	DCC:		Scale: 1:1
Page title: 2	Drawing no.:	Page rev.:	Previous page: 1
Filename: SafeGuard Snr327_331	Constructor:	Last printed: 11.02.2019	Next page: 3
Page ref.:	Appr. (date/sign.):	Last correction: 11.02.2019	Number of pages: 6

SafeGuard



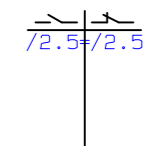
Safety net

Safety door 1

Safety door 2

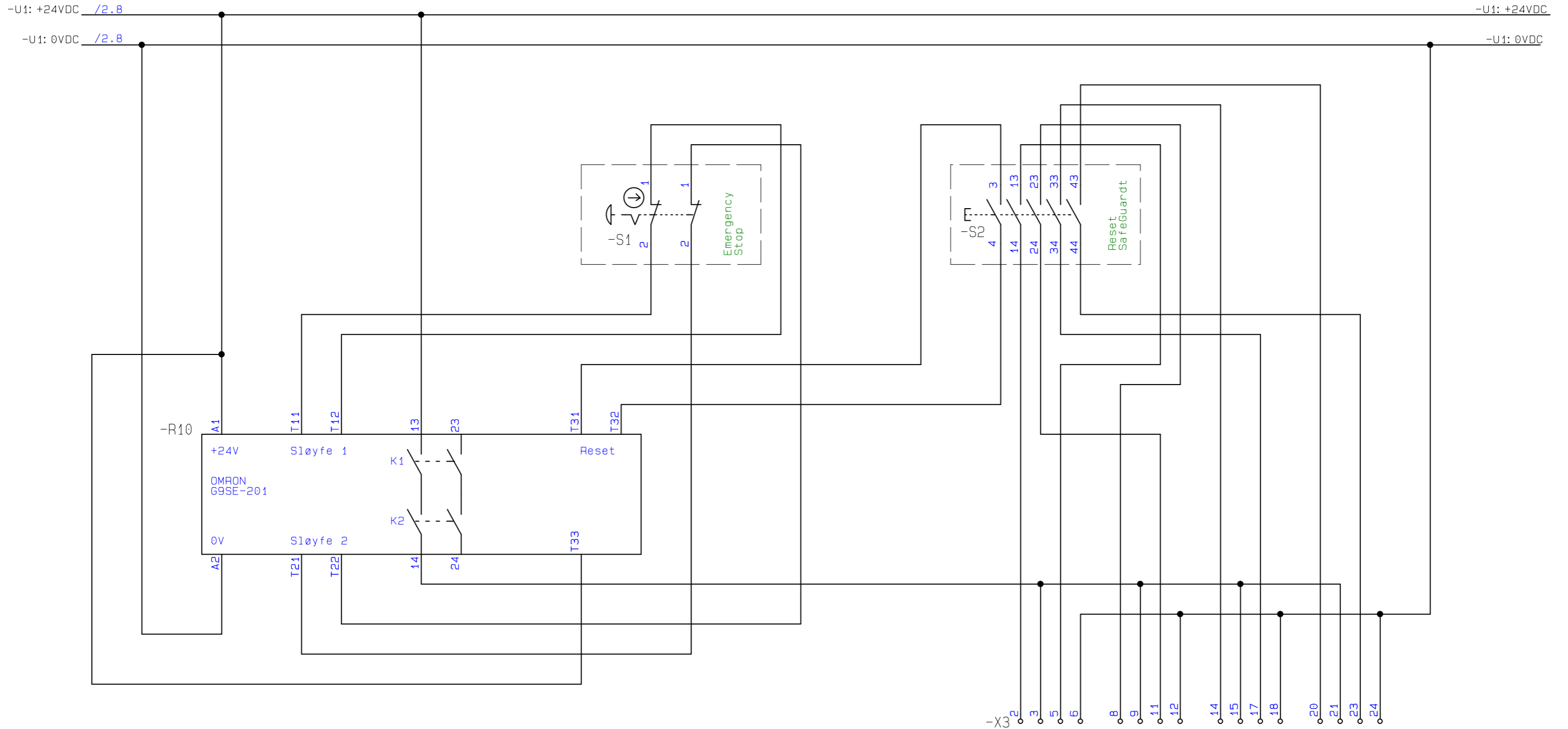
Leli door switch

Leli emergency stop



Project title: SafeGuard	Project no.:	Project rev.:	Page 3
Customer:	DCC:		Scale: 1:1
Page title: 3	Drawing no.:	Page rev.:	Previous page: 2
Filename: SafeGuard Snr327_331	Constructor:	Last printed: 11.02.2019	Next page: 4
Page ref.:	Appr. (date/sign.):	Last correction: 11.02.2019	Number of pages: 6

SafeGuard

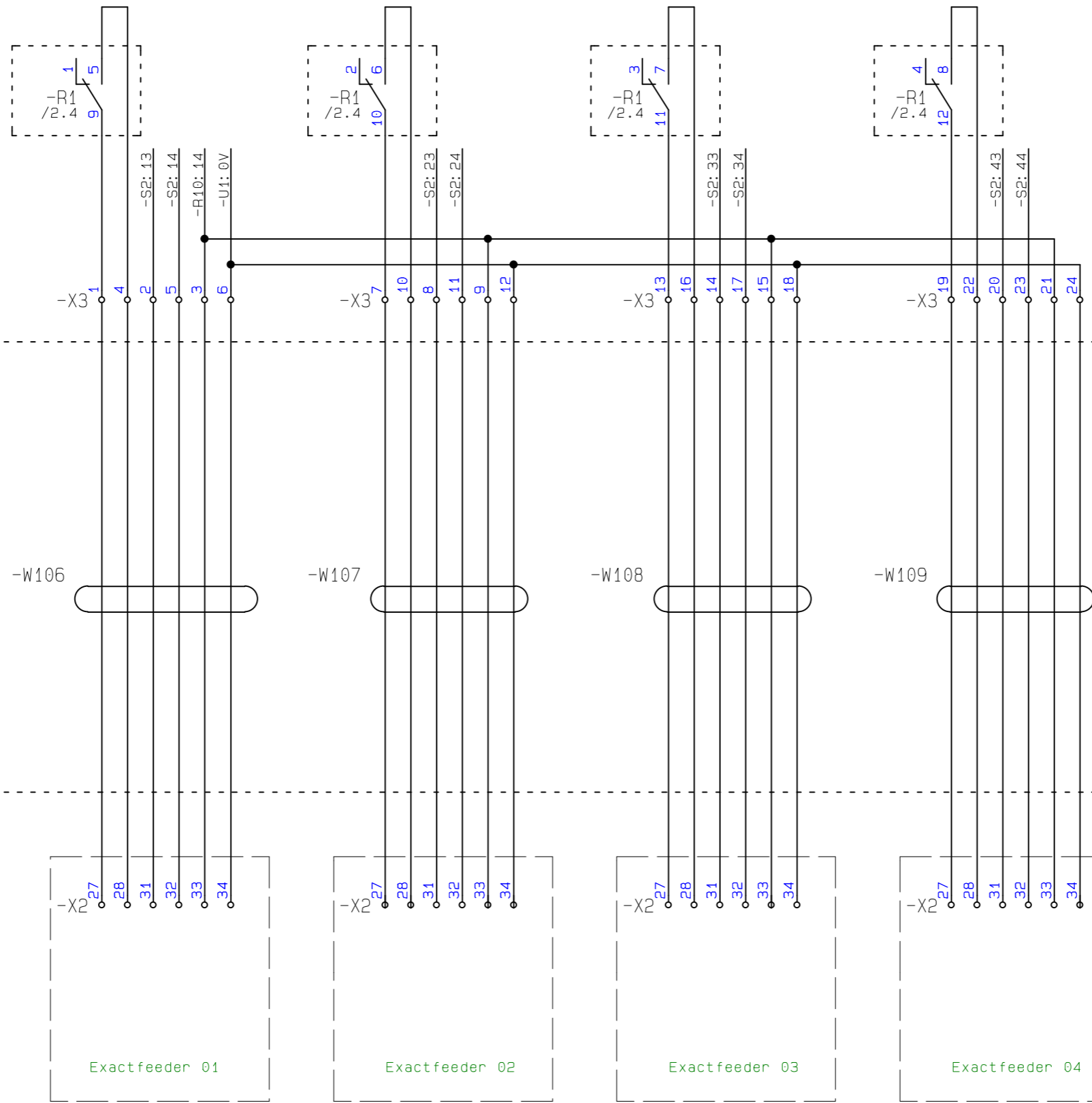


ExactFeeder



Project title: SafeGuard	Project no.:	Project rev.:	Page 4
Customer:	DCC:		Scale: 1:1
Page title: 4	Drawing no.:	Page rev.:	Previous page: 3
Filename: SafeGuard Snr327_331	Constructor:	Last printed: 11.02.2019	Next page: 5
Page ref.:	Appr. (date/sign.):	Last correction: 11.02.2019	Number of pages: 6

SafeGuard



ExactFeeder



Project title: SafeGuard	Project no.:	Project rev.:	Page 5
Customer:	DCC:		Scale: 1:1
Page title: 5	Drawing no.:	Page rev.:	Previous page: 4
Filename: SafeGuard Snr327_331	Constructor:	Last printed: 11.02.2019	Next page:
Page ref.:	Appr. (date/sign.):	Last correction: 11.02.2019	Number of pages: 6