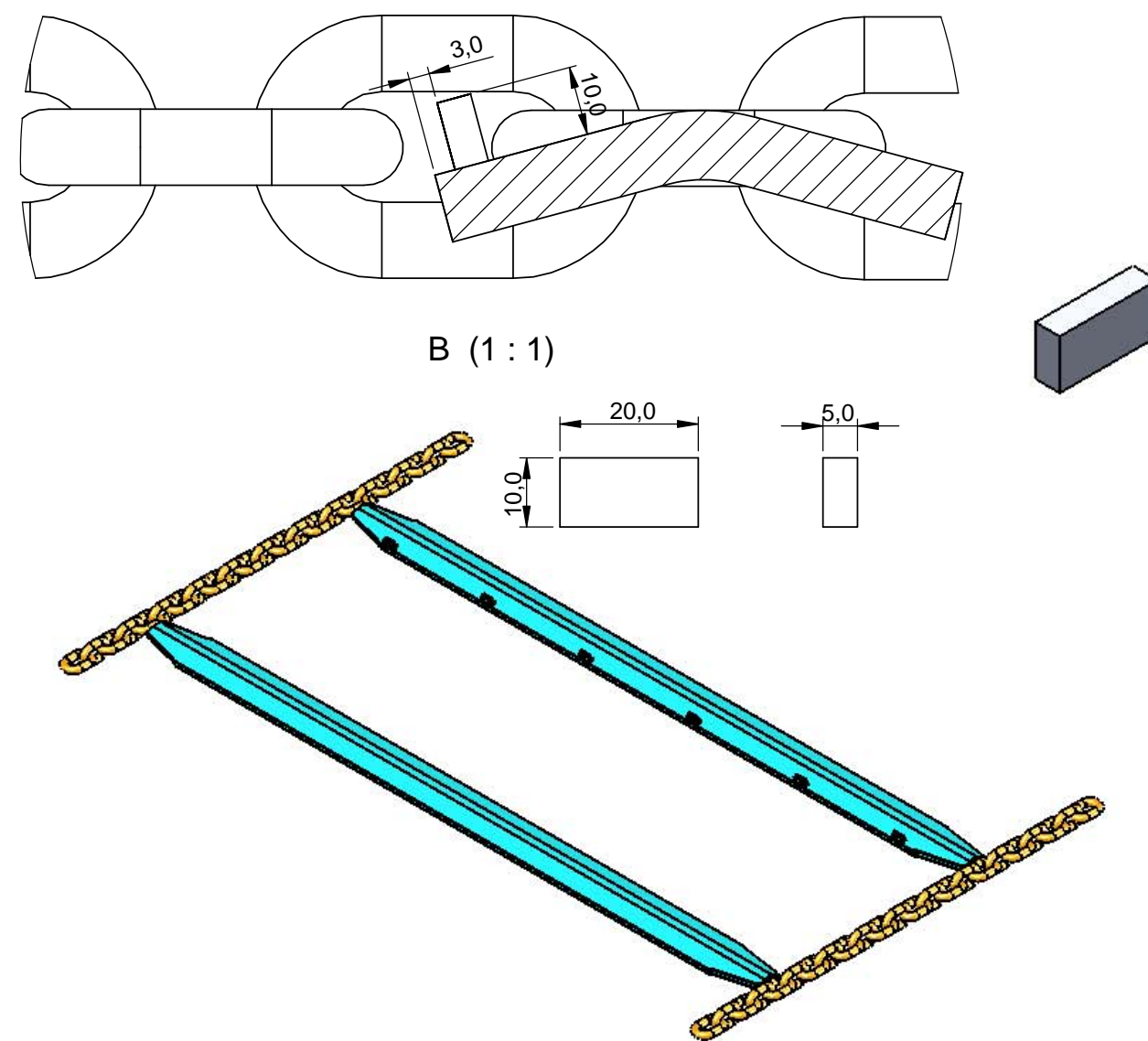
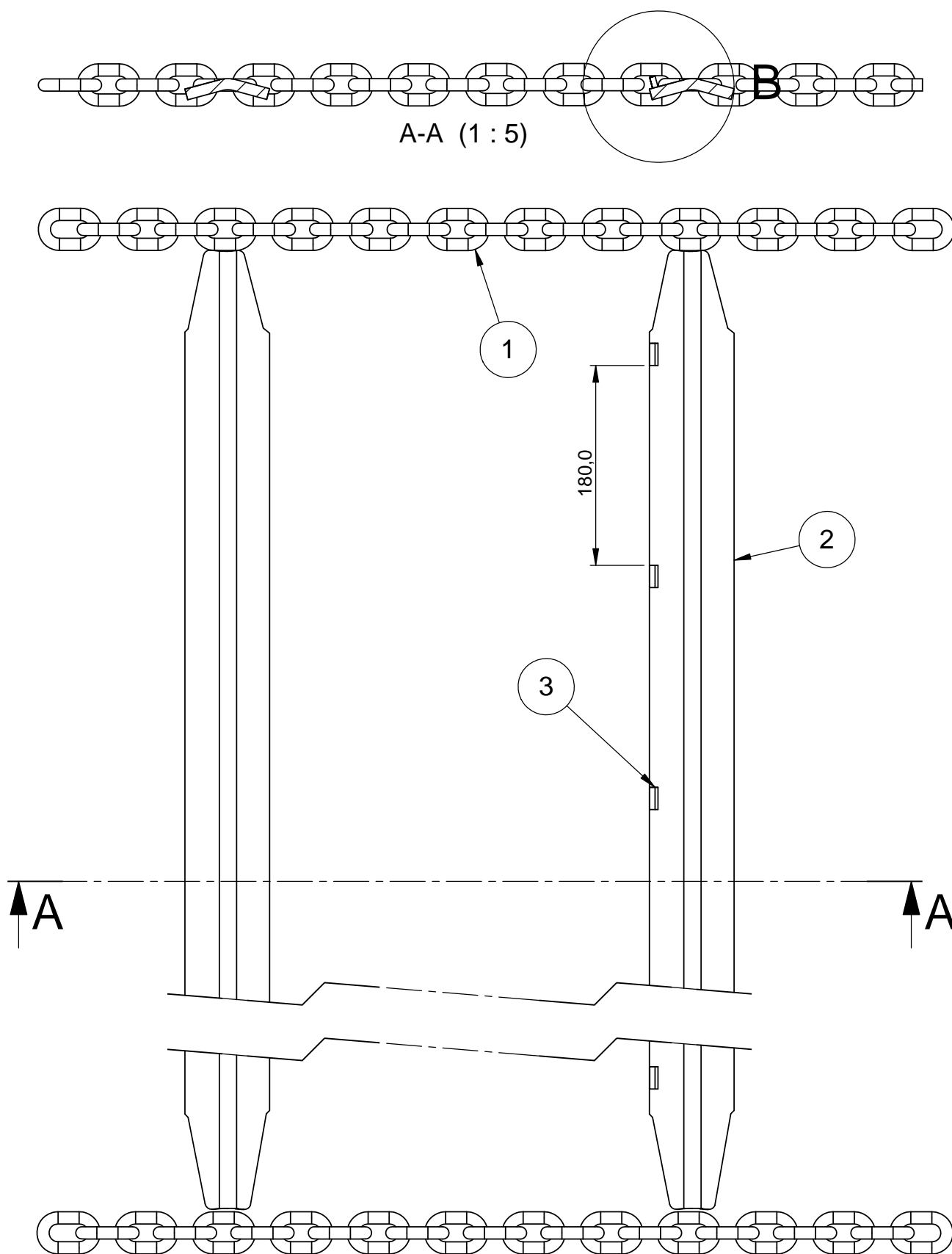


ITEM NO.	PART NUMBER	DESCRIPTION	QTY.
1	17074	7/16 kjetting 23 lenker	2
2	465244	Profil for medbringer	2
3	Sveist kloss 20 x 10 x 5	Sveist kloss	6



Material:		Thickness:	Surface treatment:	
Tolerance not specified according to: NS-1430:		Sheet scale:	Drawing number:	
Designed by: 12.10.2012		1:10	17075	Revisjon:
Helge	Weight	Projection: A3	Sveist medbringer	
Serigstad Agri AS				
Content in:	Project: Test	Replaced by: Helge		