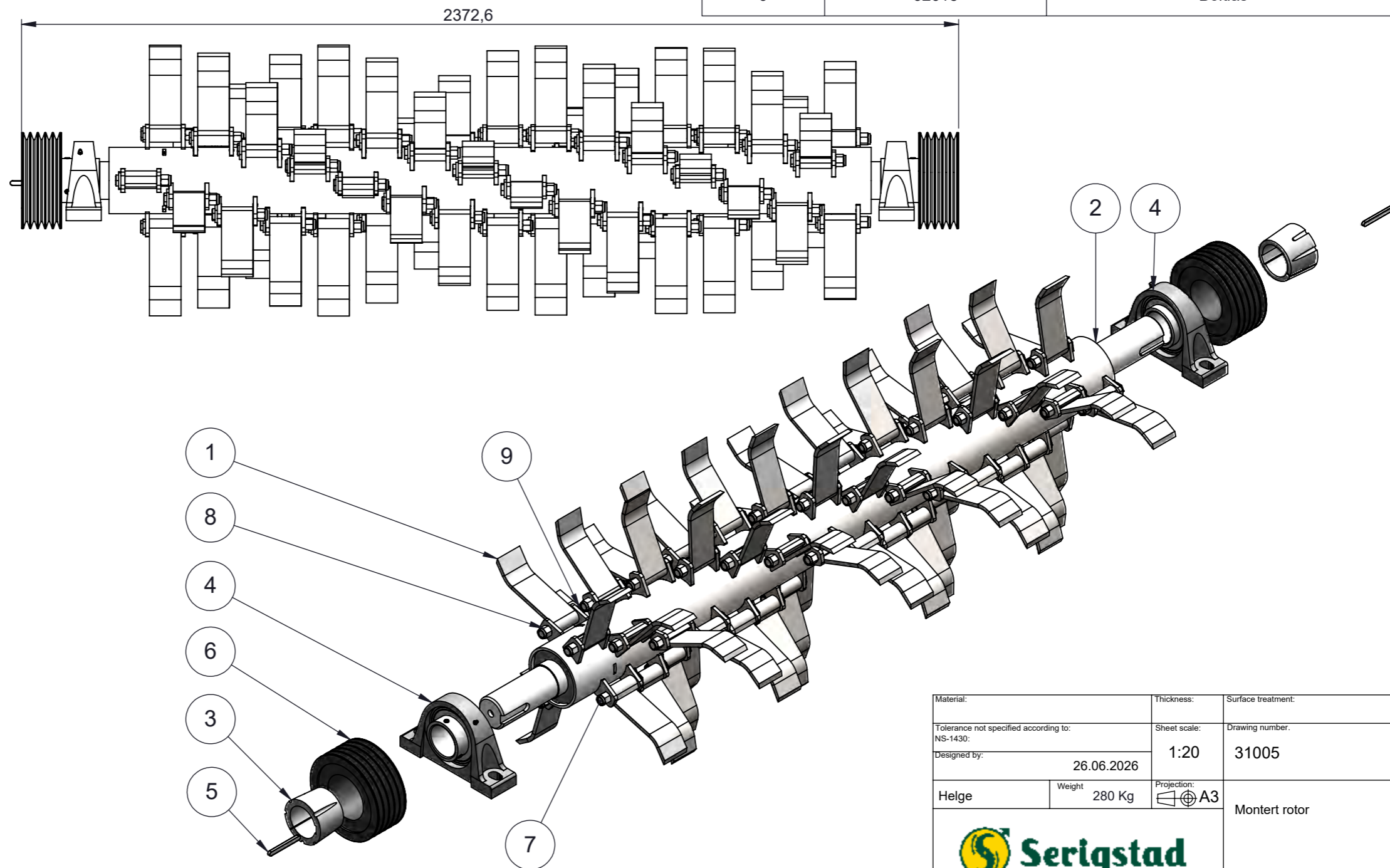
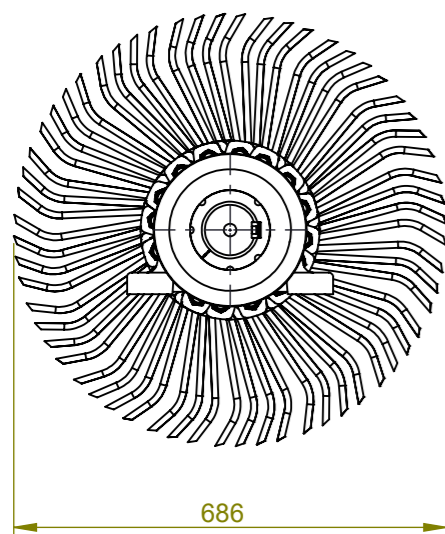


Delekatalog

Føniks Multikuttar Lessevogn

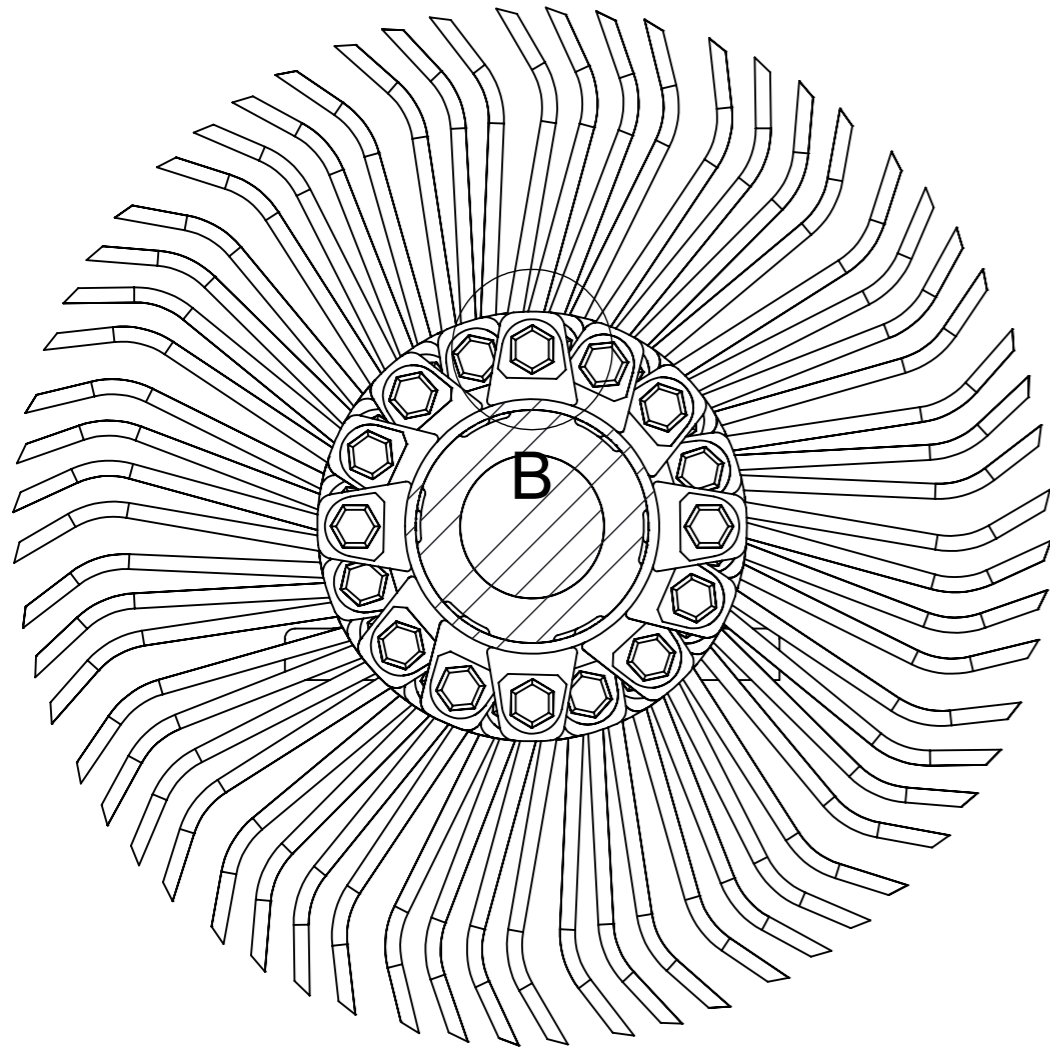


ITEM NO.	PART NUMBER	DESCRIPTION	QTY.
1	305313	Slegel	60
2	31520	Rotor sveist operasjon 2	1
3	31508	A5-3535-90	2
4	31510	UCP 218	2
5	Parallel key A12 x 8 x 110 DIN 6885		2
6	31958	Reimskive B 5 spor Ø 243 Taper 3535	2
7	7935421	Bolt for slegel	60
8	ASME B18.16.6-NU-0.750- 10-N		60
9	32618	Boltlås	60

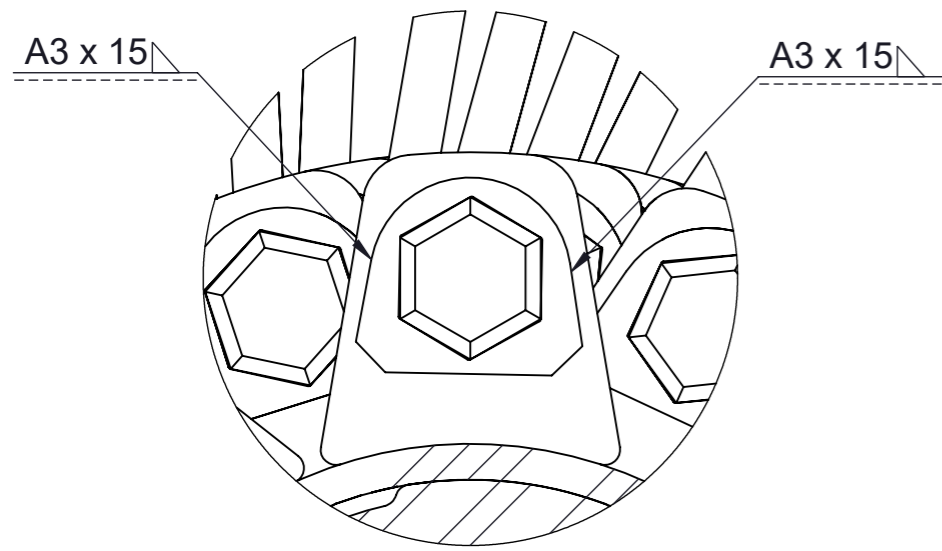
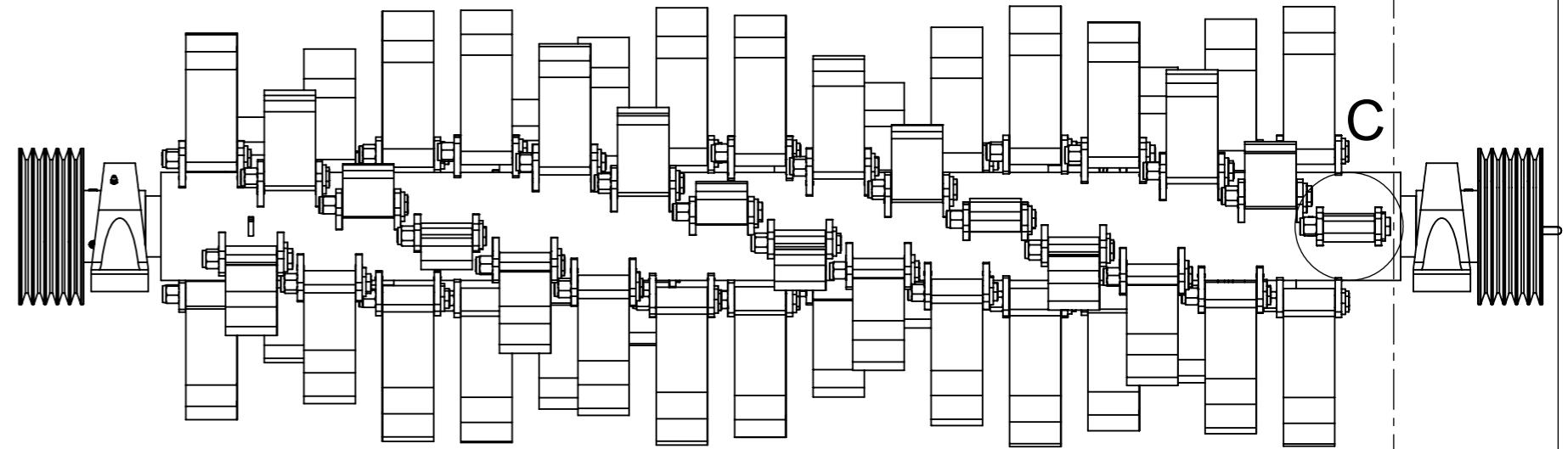


Material:		Thickness:	Surface treatment:	
Tolerance not specified according to: NS-1430:		Sheet scale:	Drawing number:	Revision:
Designed by: 26.06.2026		1:20	31005	T6
Helge	Weight 280 Kg	Projection: A3	Montert rotor	
Content in:		Project:	Replaced by:	

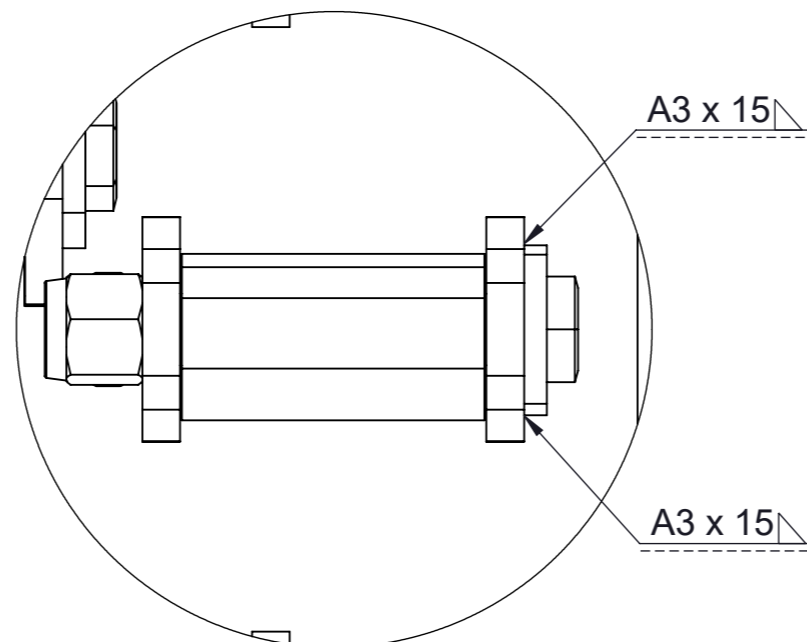




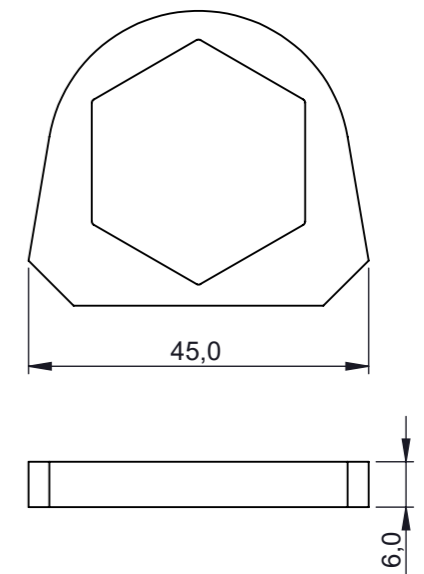
A-A (1 : 5)



B (2 : 3)

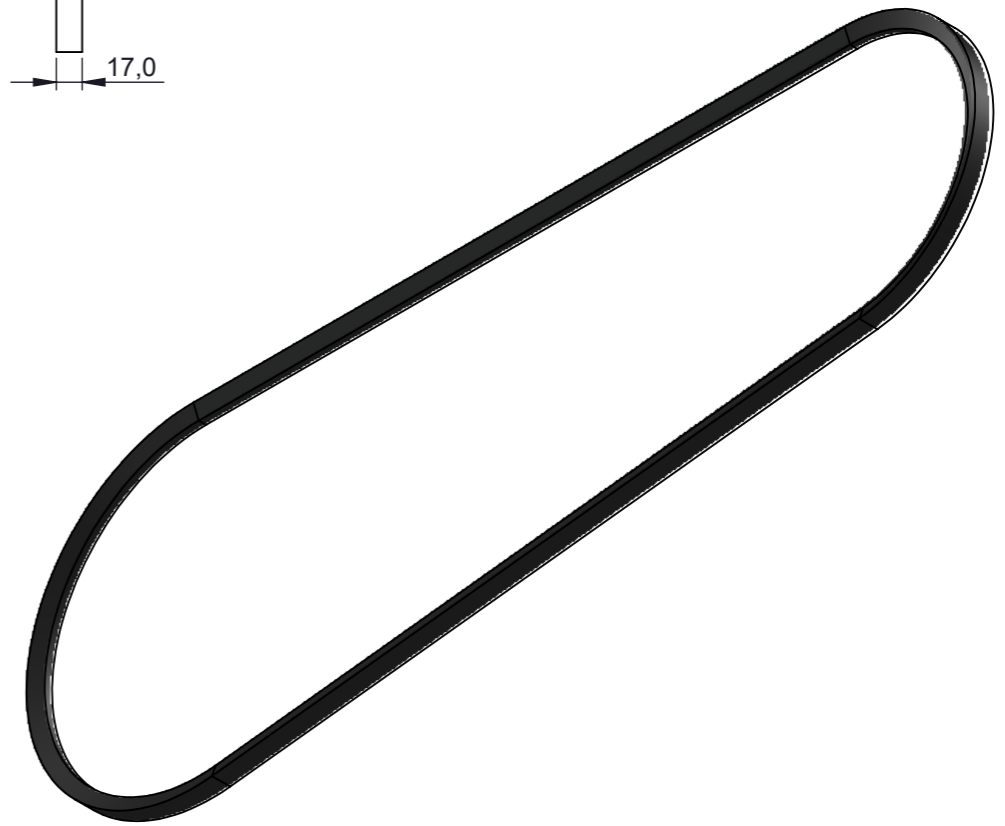
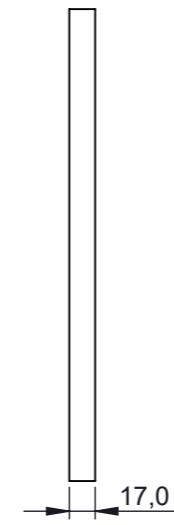
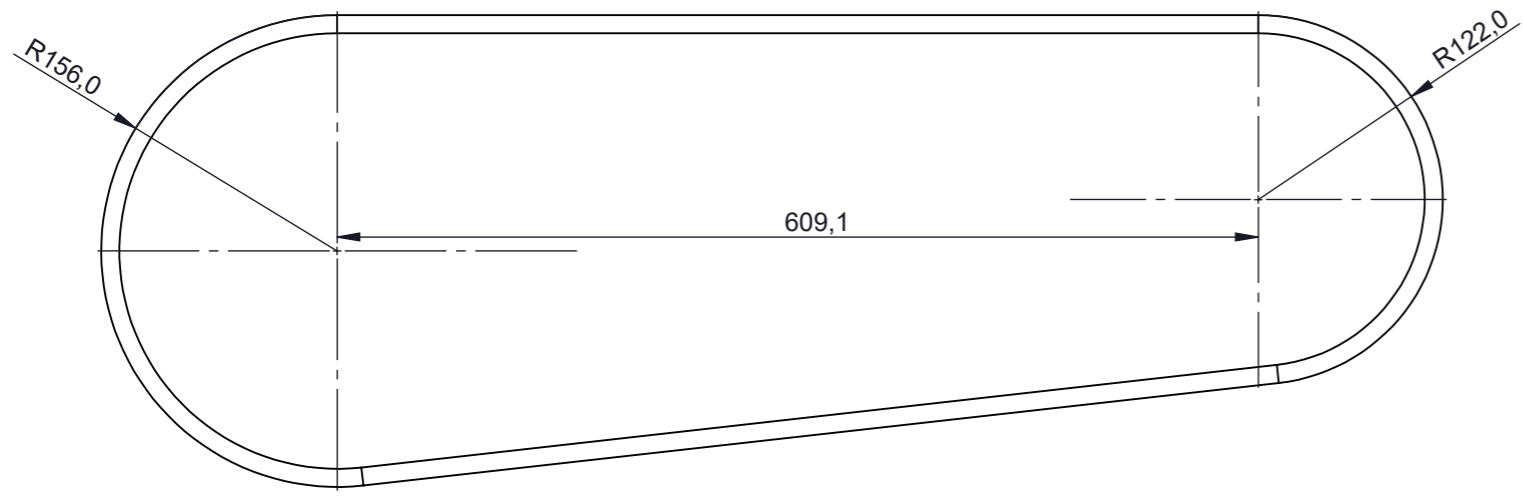



C (1 : 2)



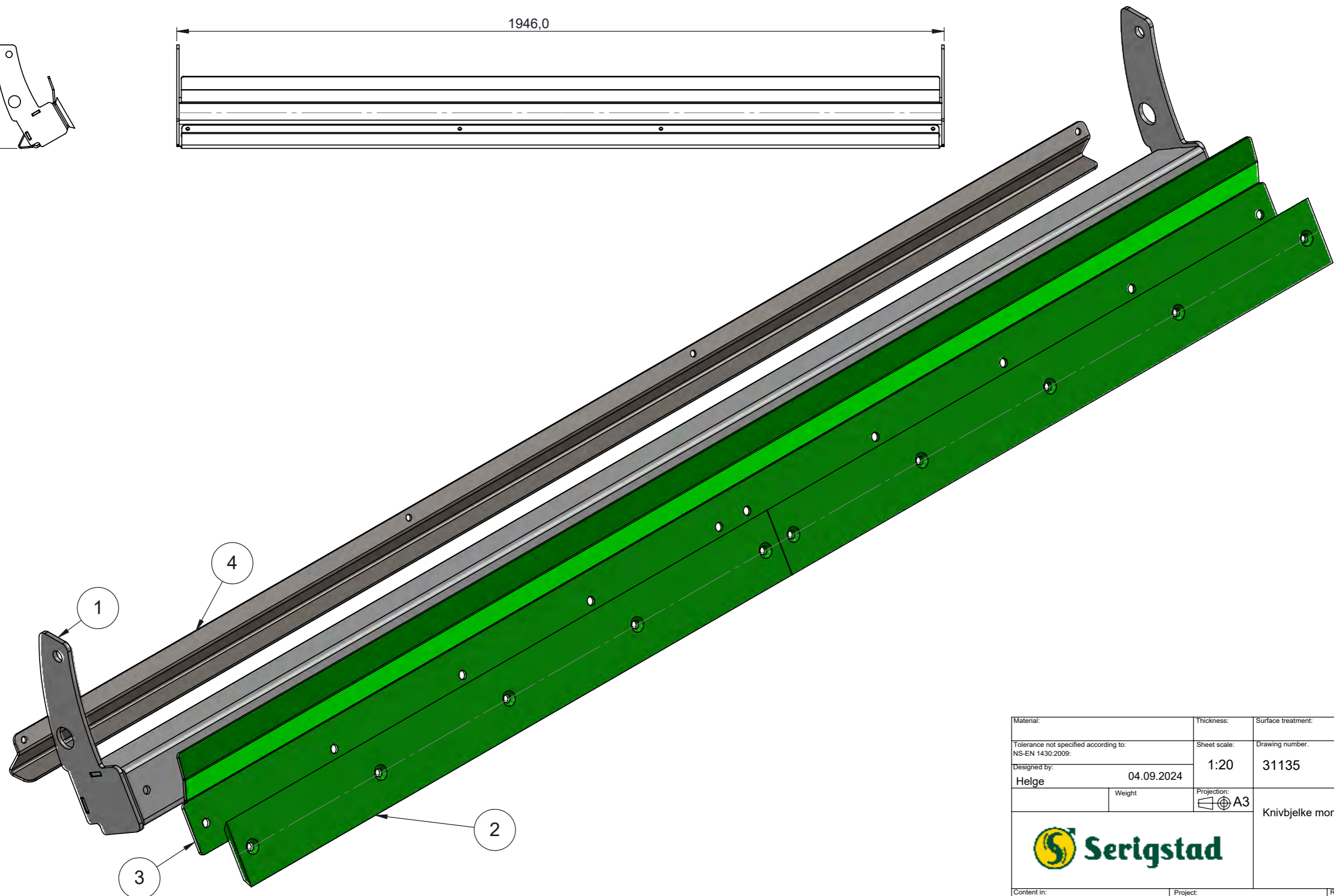
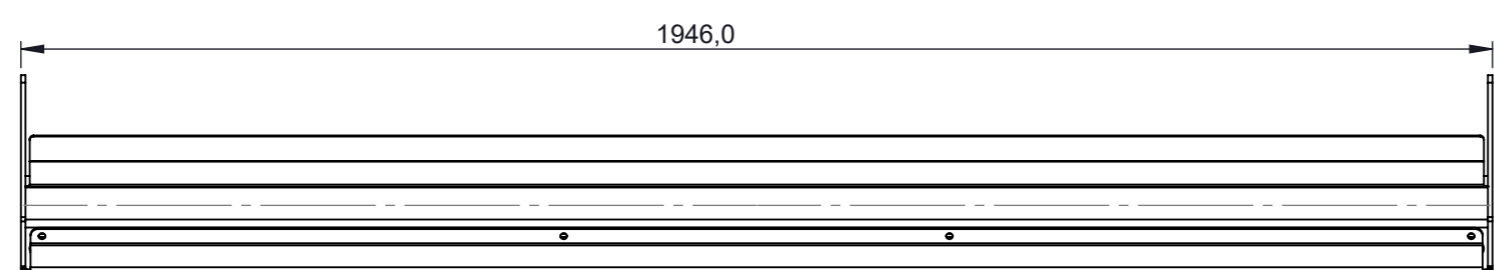
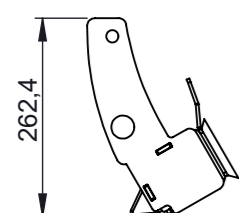
Material:		Thickness:	Surface treatment:	
Tolerance not specified according to: NS-EN 1430:2009.		Sheet scale:	Drawing number:	Revision:
Designed by: Helge		1:20	31005	T6
Weight		Projection: A3	Montert rotor	
Content in:		Project:	Replaced by:	



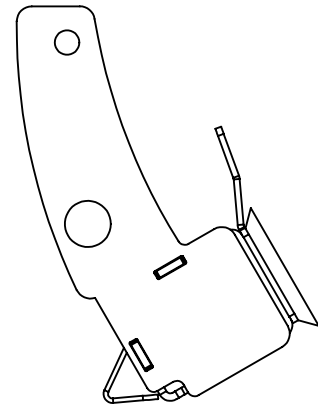


Material:		Thickness:	Surface treatment:	
Tolerance not specified according to: NS-1430:		Sheet scale:	Drawing number:	Revision:
Designed by: 16.12.2024		1:5	31127	T5
Helge	Weight	Projection: A3	Kilereim B 79	
		Content in:		
		Project:		Replaced by:

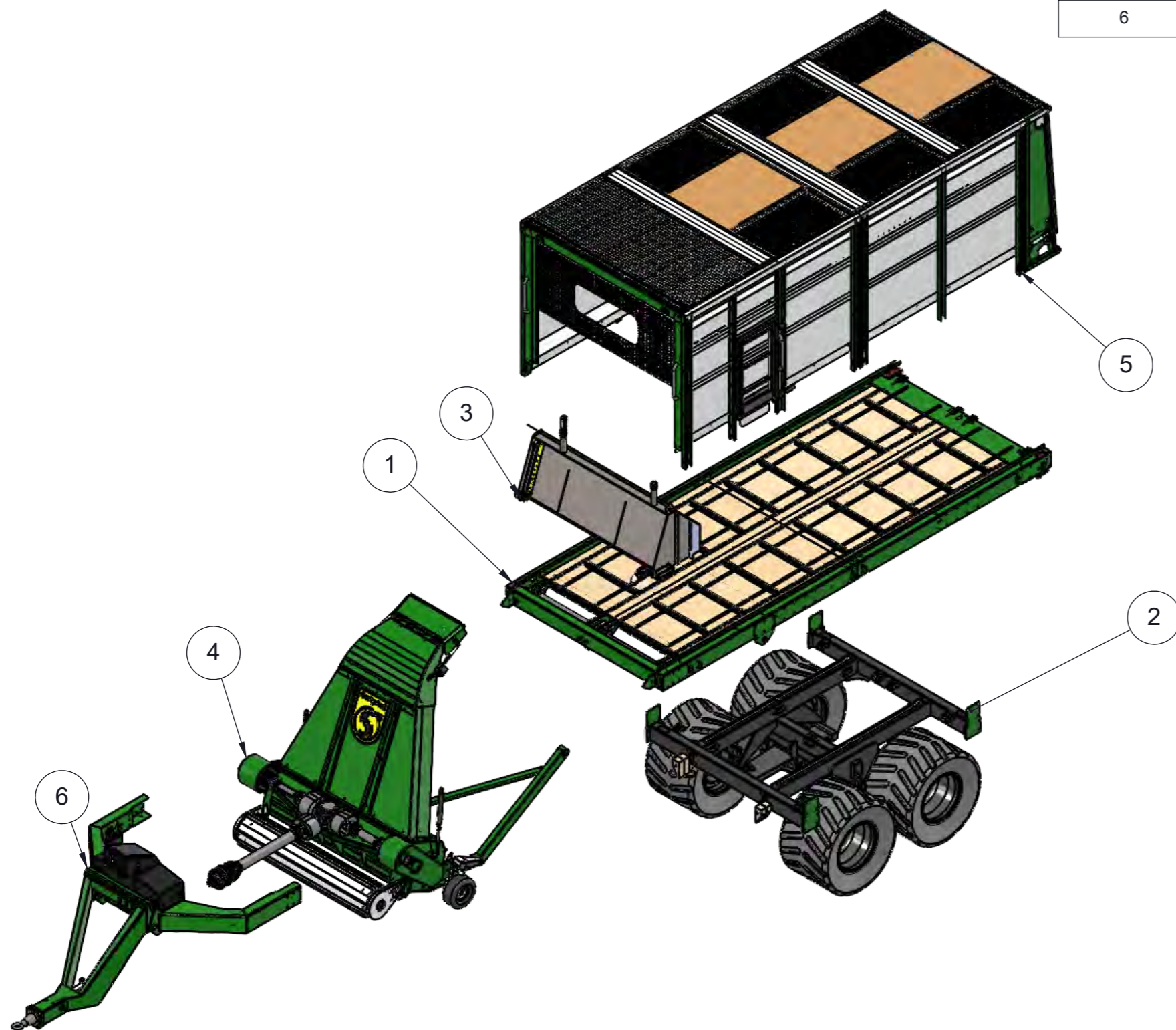
ITEM NO.	PART NUMBER	DESCRIPTION	QTY.
1	31030	Knivbjelke sveist	1
2	31022	Motkniv	2
3	31016	Plate for motkniv	1
4	31957	Nesekon	1



Material:	Thickness:	Surface treatment:	
Tolerance not specified according to: NS-EN 1430:2009.	Sheet scale: 1:20	Drawing number: 31135	Revision: T2
Designed by: Helge	04.09.2024	Projection: A3	
Weight	Knivbjelke montert		
Content in:	Project:	Replaced by:	

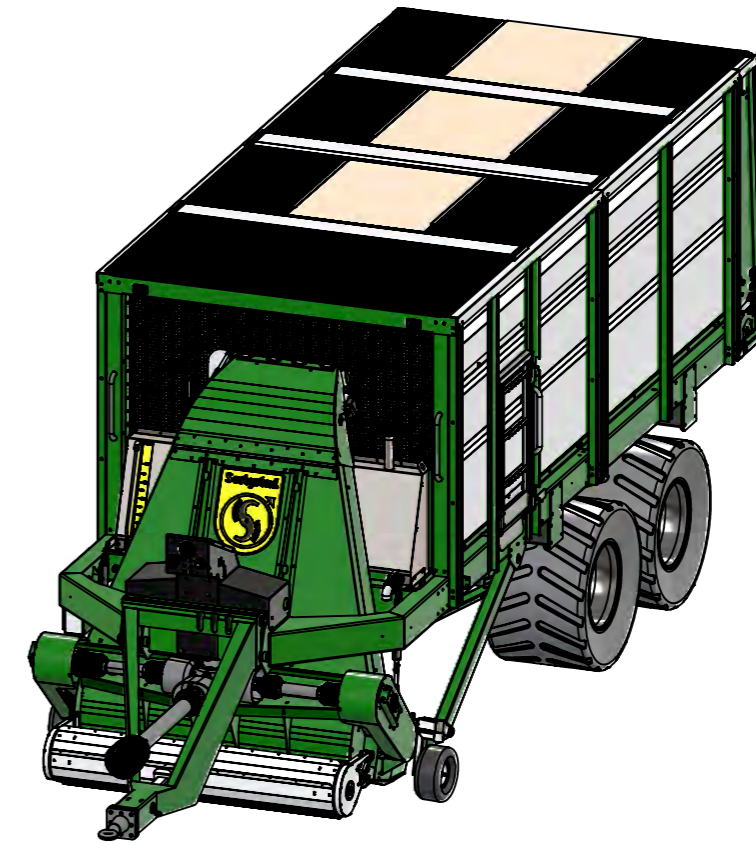
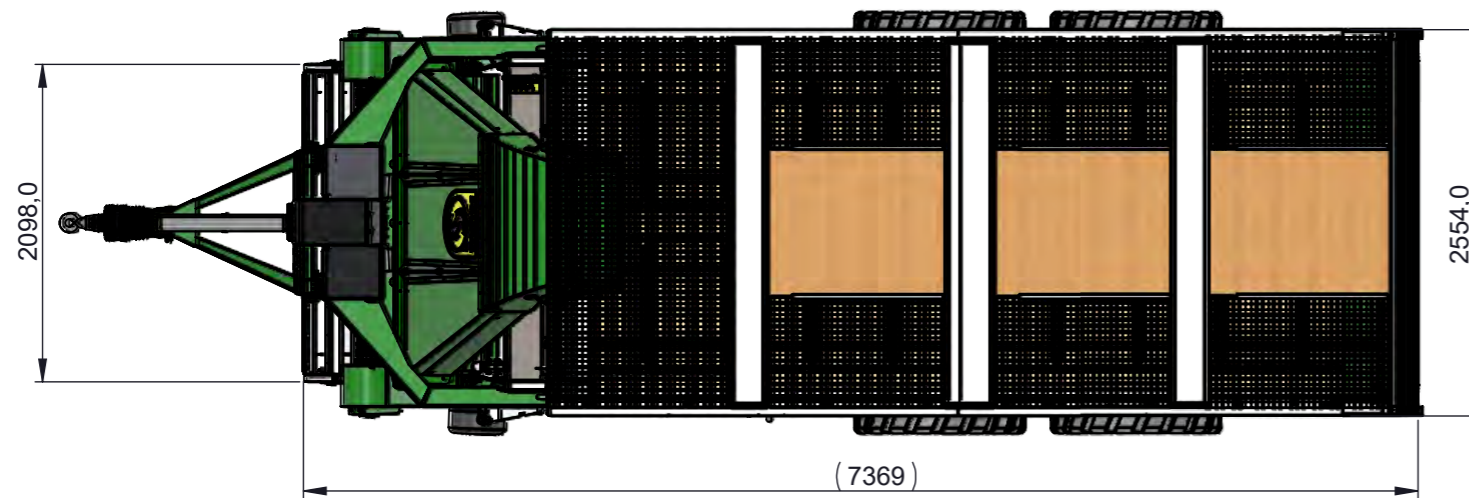
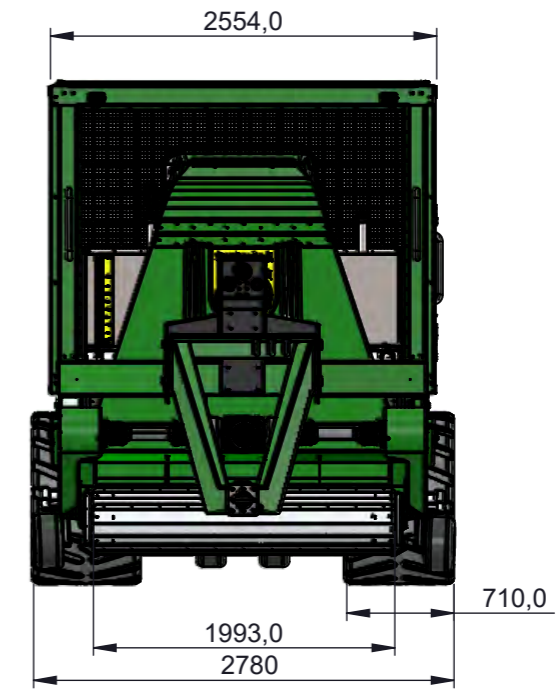
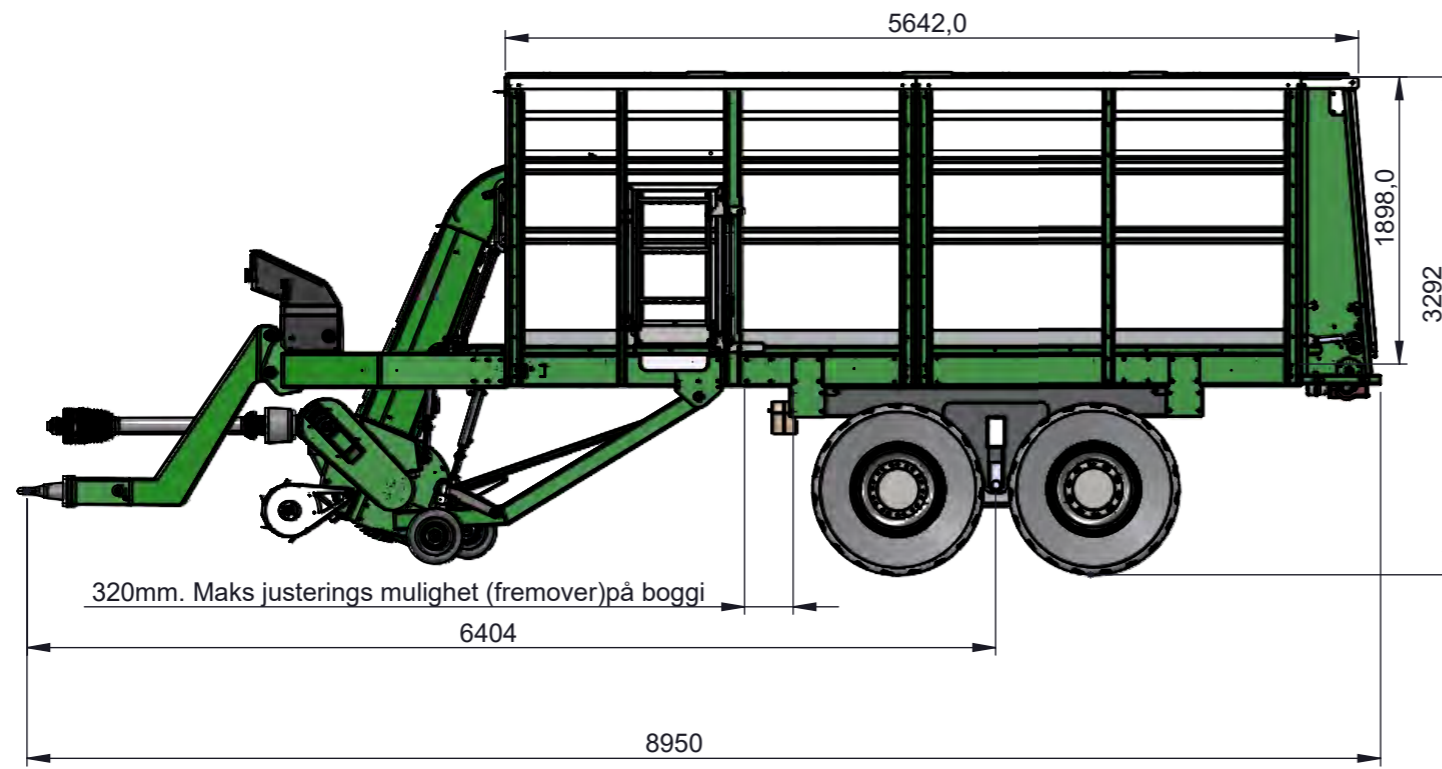


ITEM NO.	PART NUMBER	DESCRIPTION	QTY.
1	31400	Bunramme montert	1
2	31490	Boggiramme montert	1
3	31860	Syretank montert	1
4	31050	Prosesor montert	1
5	32300	Overbygg 25 kubikk	1
6	32970	Drag og ramme montert	1



Material:		Thickness:	Surface treatment:	
Tolerance not specified according to: NS-1430:		Sheet scale:	Drawing number:	Revision:
Designed by: 19.03.2026		1:100	31150	T4
Helge	Weight 5.530 Kg	Projection: A3	Fønix Multikutter 25	
Content in:		Project:	Replaced by:	

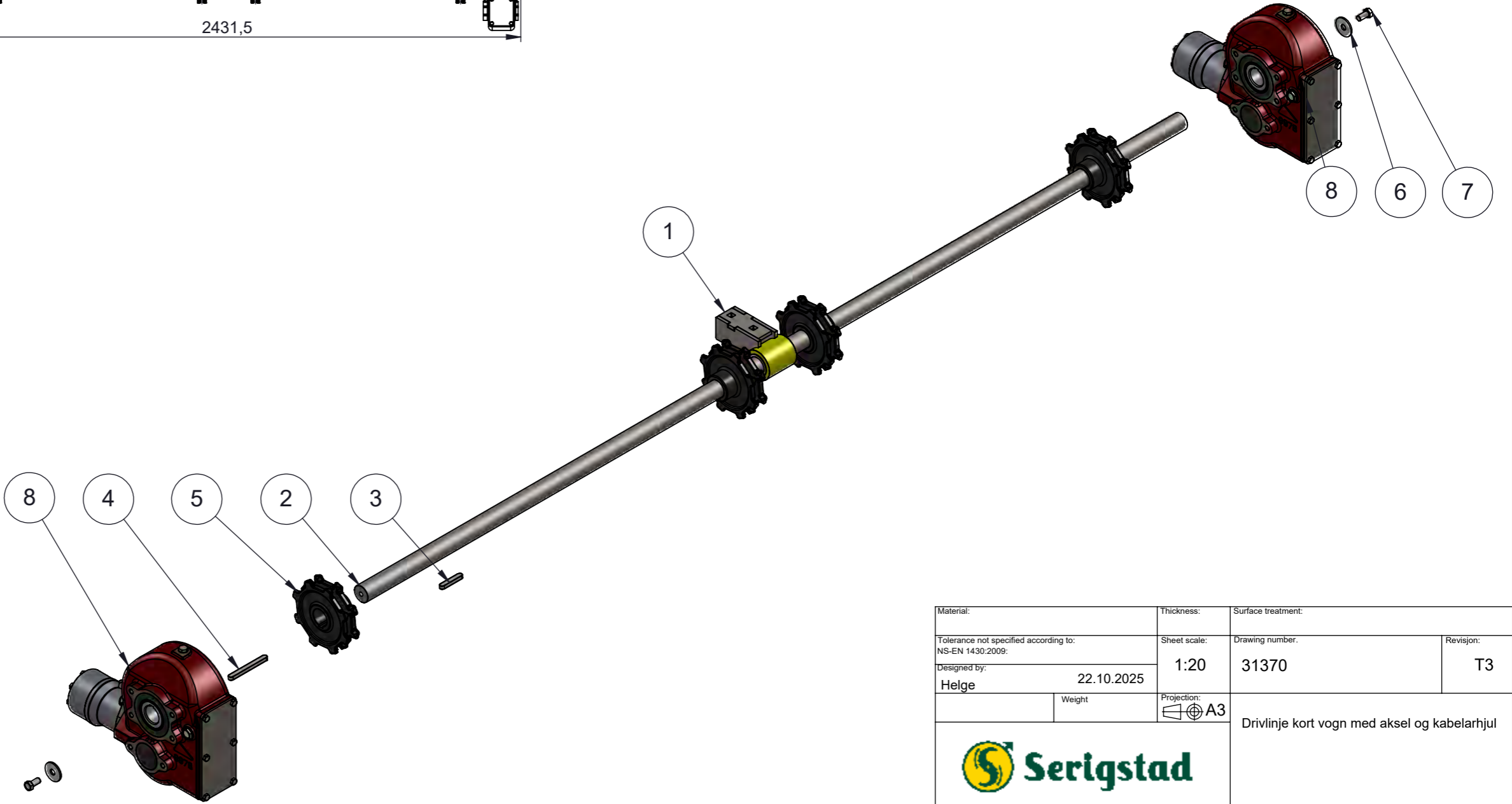
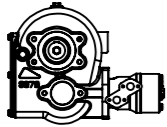
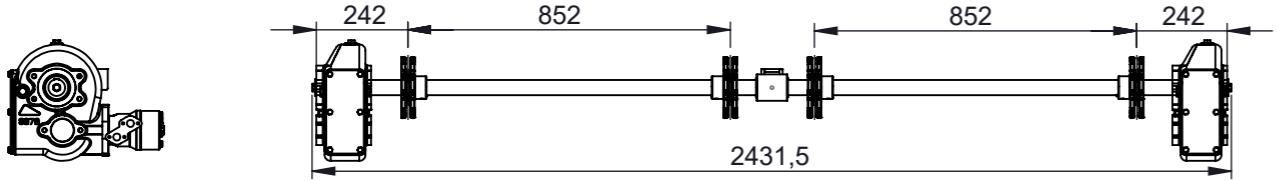




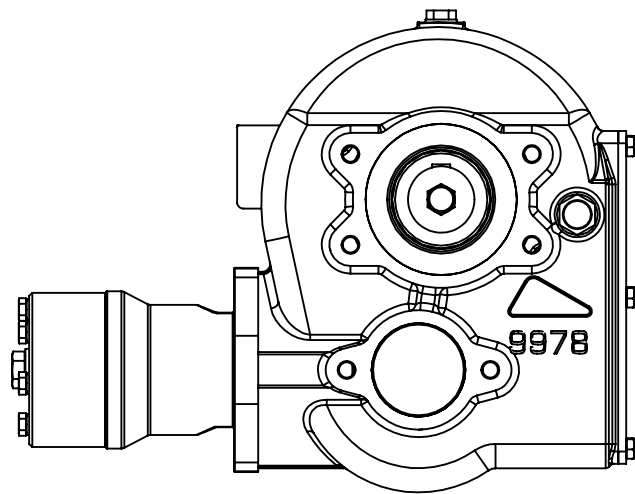
Material:		Thickness:	Surface treatment:	
Tolerance not specified according to: NS-1430:		Sheet scale:	Drawing number:	Revision:
Designed by: 19.03.2026		1:100	31150	T4
Helge	Weight 5.530 Kg	Projection: A3	Fønix Multikutter 25	
Content in:		Project:	Replaced by:	

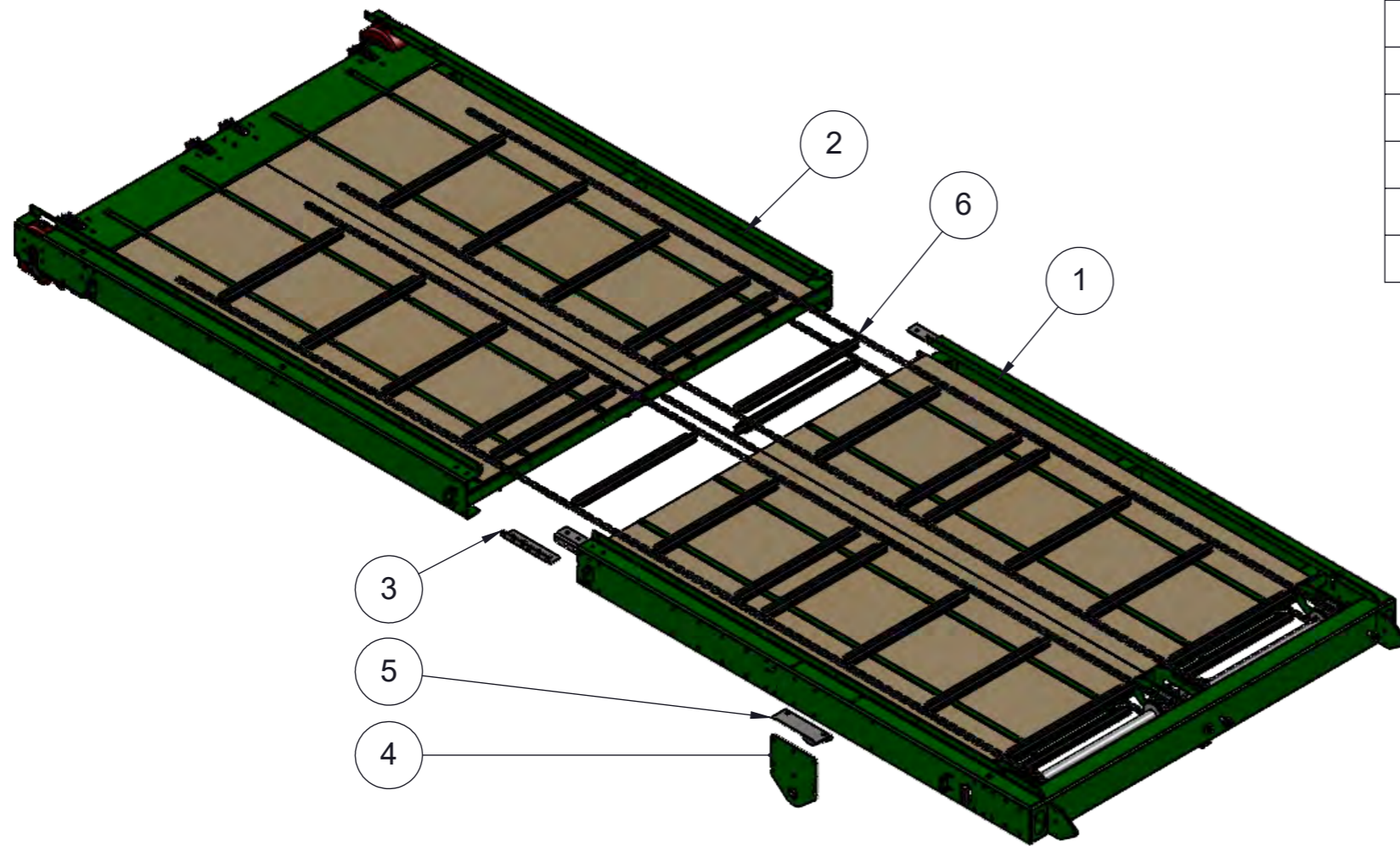


ITEM NO.	PART NUMBER	DESCRIPTION	QTY.
1	19190	Lagerstøtte monterert	1
2	31371	Drivaksel for bunn lessevogn	1
3	Parallel key A12 x 8 x 63 DIN 6885		4
4	Parallel key A12 x 8 x 110 DIN 6885		1
5	19105	Kabelarhjul f. 40mm aksel Corr I Dur.	4
6	B18.22M - Plain washer, 12 mm, wide		2
7	B18.2.3.2M - Formed hex screw, M12 x 1.75 x 25 -- 25WN		2
8	32625	Drivenhet RT 190 1900 Nm	2

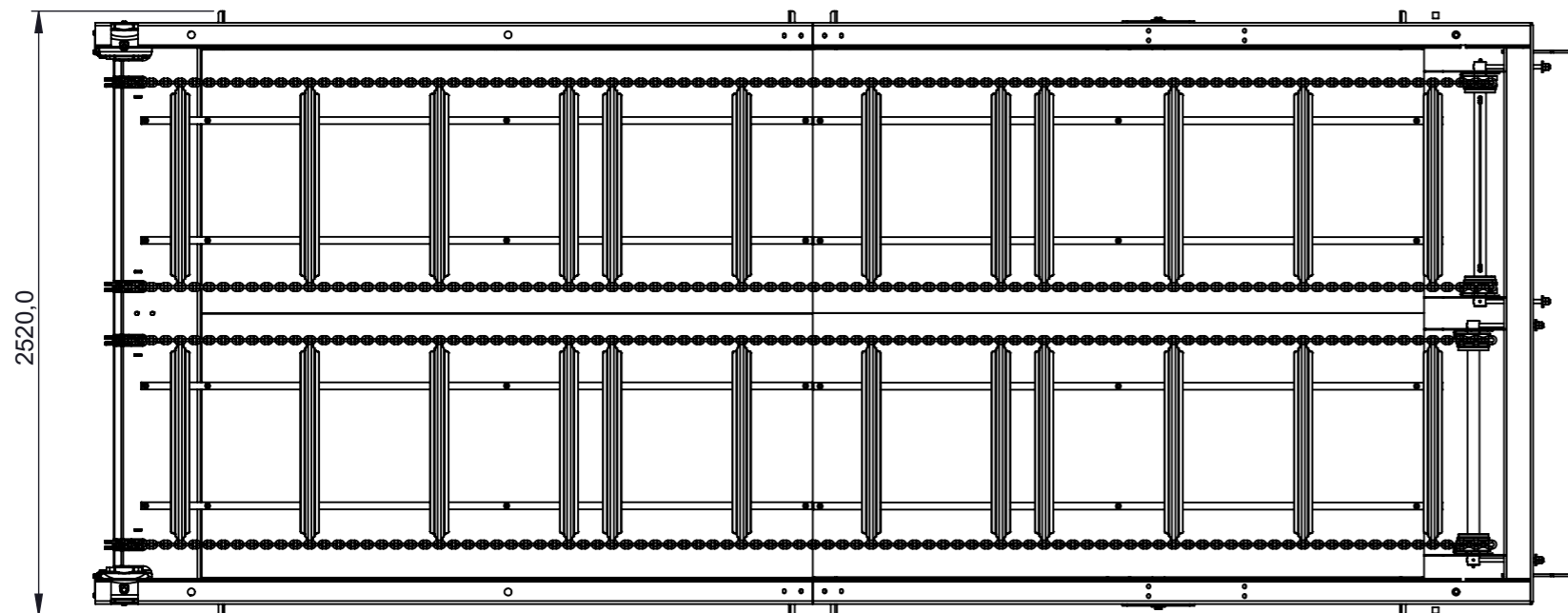
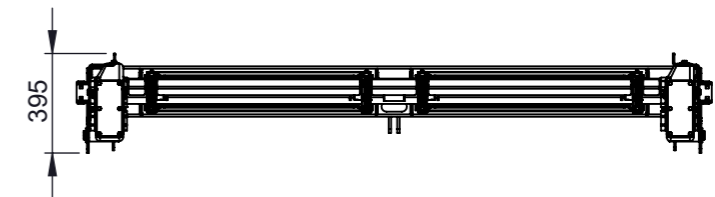
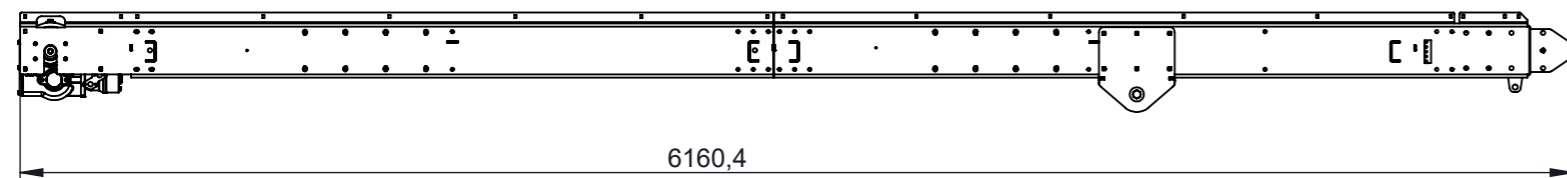



Material:	Thickness:	Surface treatment:	
Tolerance not specified according to: NS-EN 1430:2009.	Sheet scale: 1:20	Drawing number: 31370	Revisjon: T3
Designed by: Helge	22.10.2025	Projection: A3	Drivlinje kort vogn med aksel og kabelarhjul
Weight			
Content in:	Project:	Replaced by:	

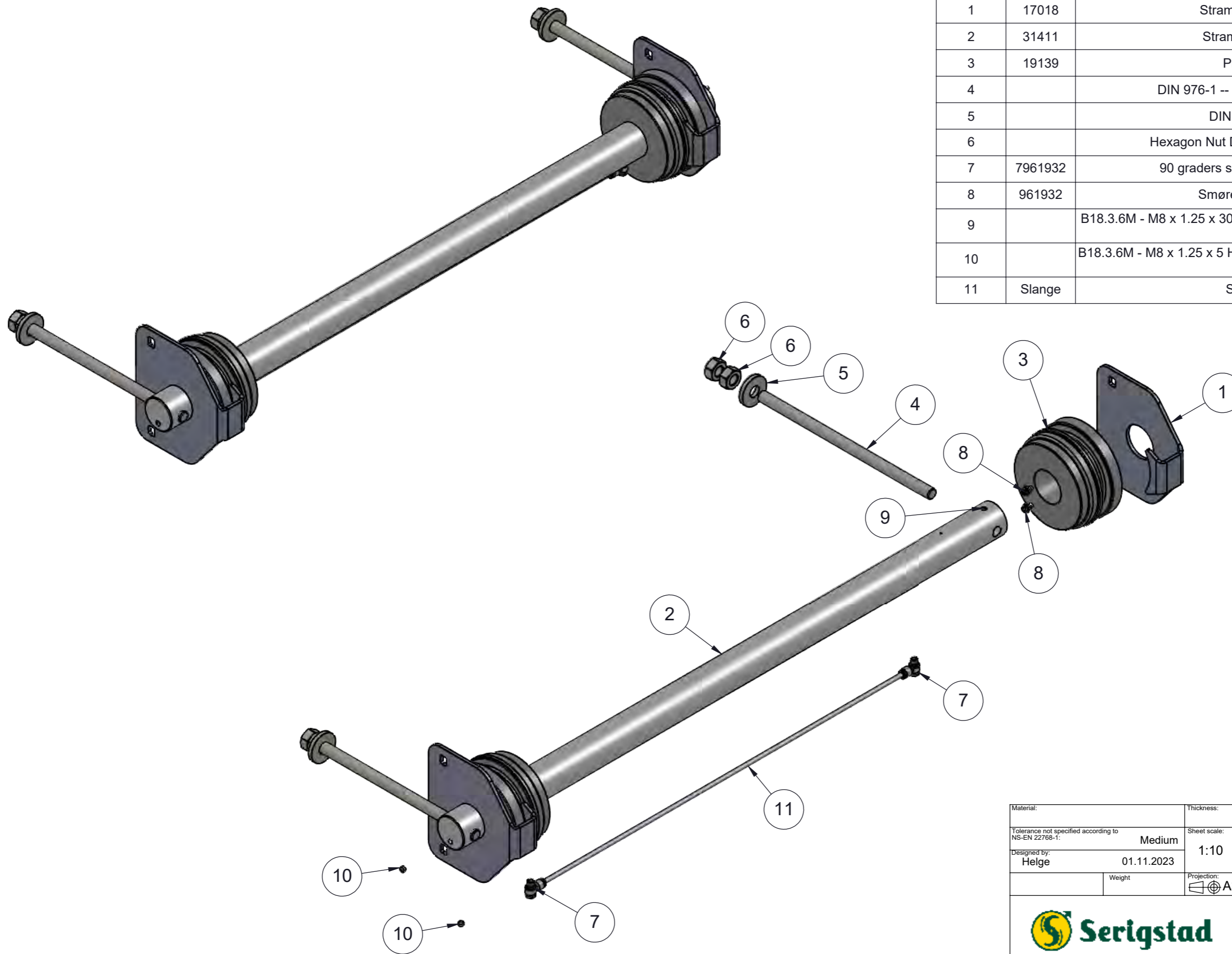





ITEM NO.	PART NUMBER	DESCRIPTION	QTY.
1	31435	Bunnramme front montert	1
2	31430	Bunnseksjon bakre montert	1
3	31361	Skjøtevinkel	4
4	31375	Montert svingfeste	2
5	31372	Brakett svingarm støtte	2
6	19240	Sveist medbringer seksjon	11

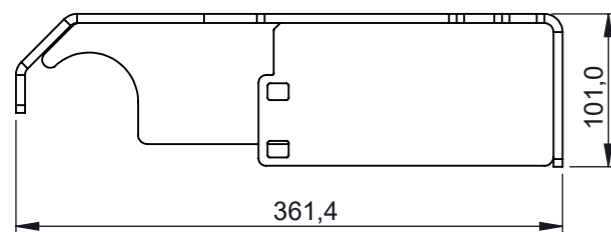
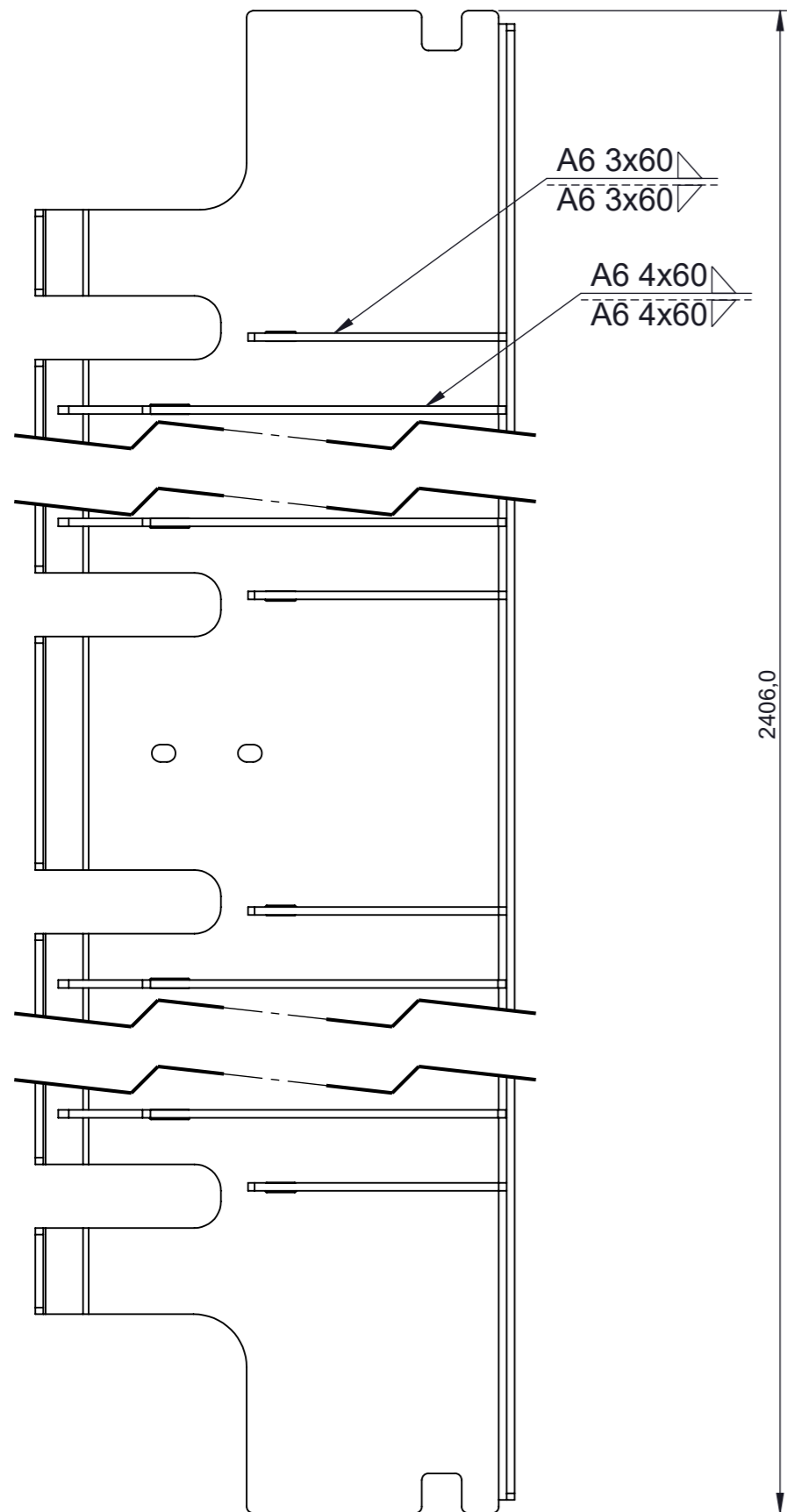


Material:	Thickness:	Surface treatment:	
Tolerance not specified according to: NS-EN 1430:2009.	Sheet scale: 1:50	Drawing number: 31400	Revision: T3
Designed by: Helge	27.10.2025	Weight 1031 Kg	Projection: A3
		Bunnramme montert	
		Content in:	Project:

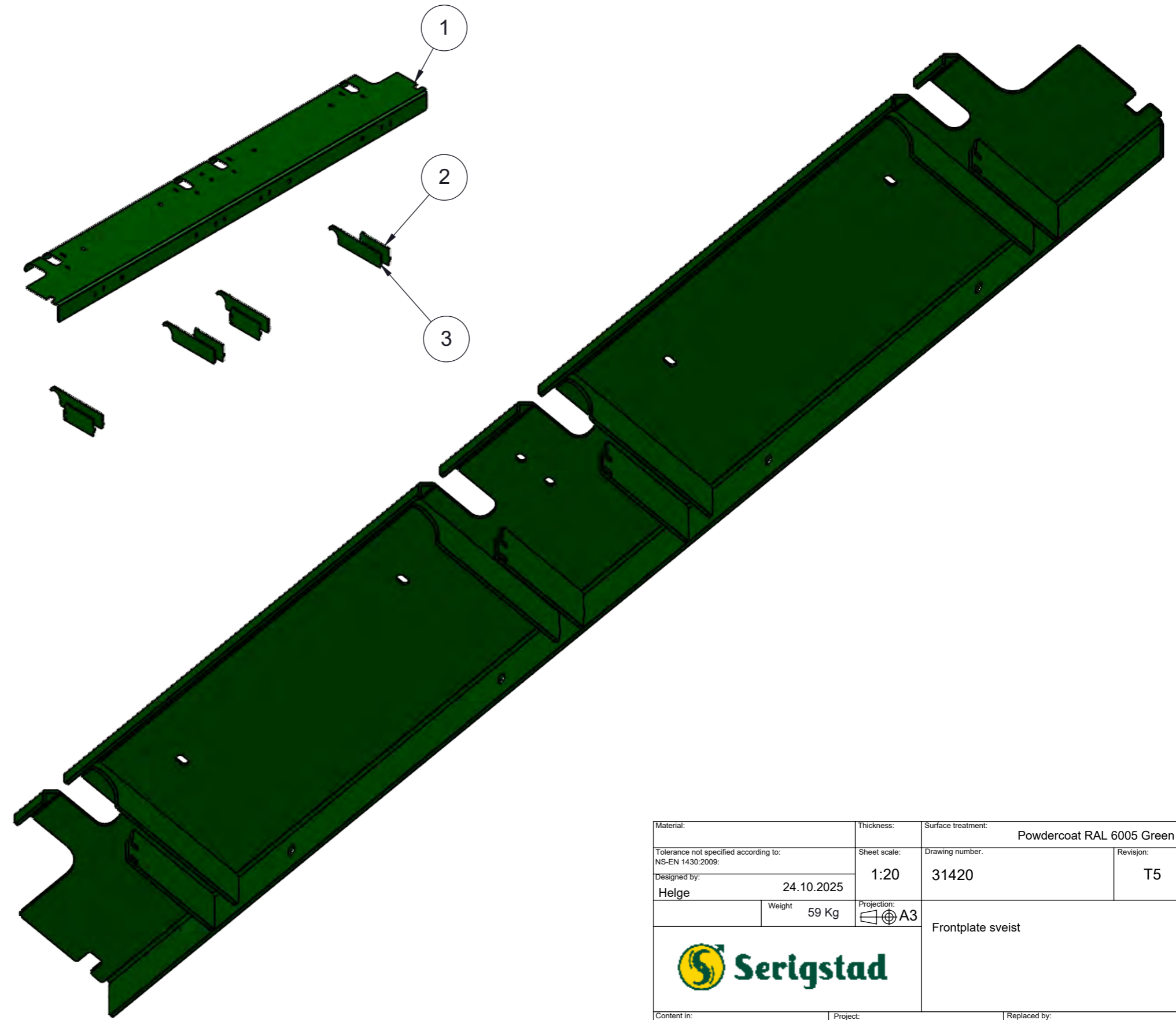



BOM Table			
ITEM NO.	PART NUMBER	Description	QTY.
1	17018	Strammebrakett	2
2	31411	Stramme aksel	1
3	19139	Plastrull	2
4		DIN 976-1 -- M16 x 320 A-- N	2
5		DIN 6340-17	2
6		Hexagon Nut DIN 6915 - M16 - N	4
7	7961932	90 graders smørenippel M8x1	2
8	961932	Smørenippel M8	2
9		B18.3.6M - M8 x 1.25 x 30 Hex Socket Type I Cup Pt. SS --N	1
10		B18.3.6M - M8 x 1.25 x 5 Hex Socket Type I Cup Pt. SS --N	4
11	Slange	Slange	1

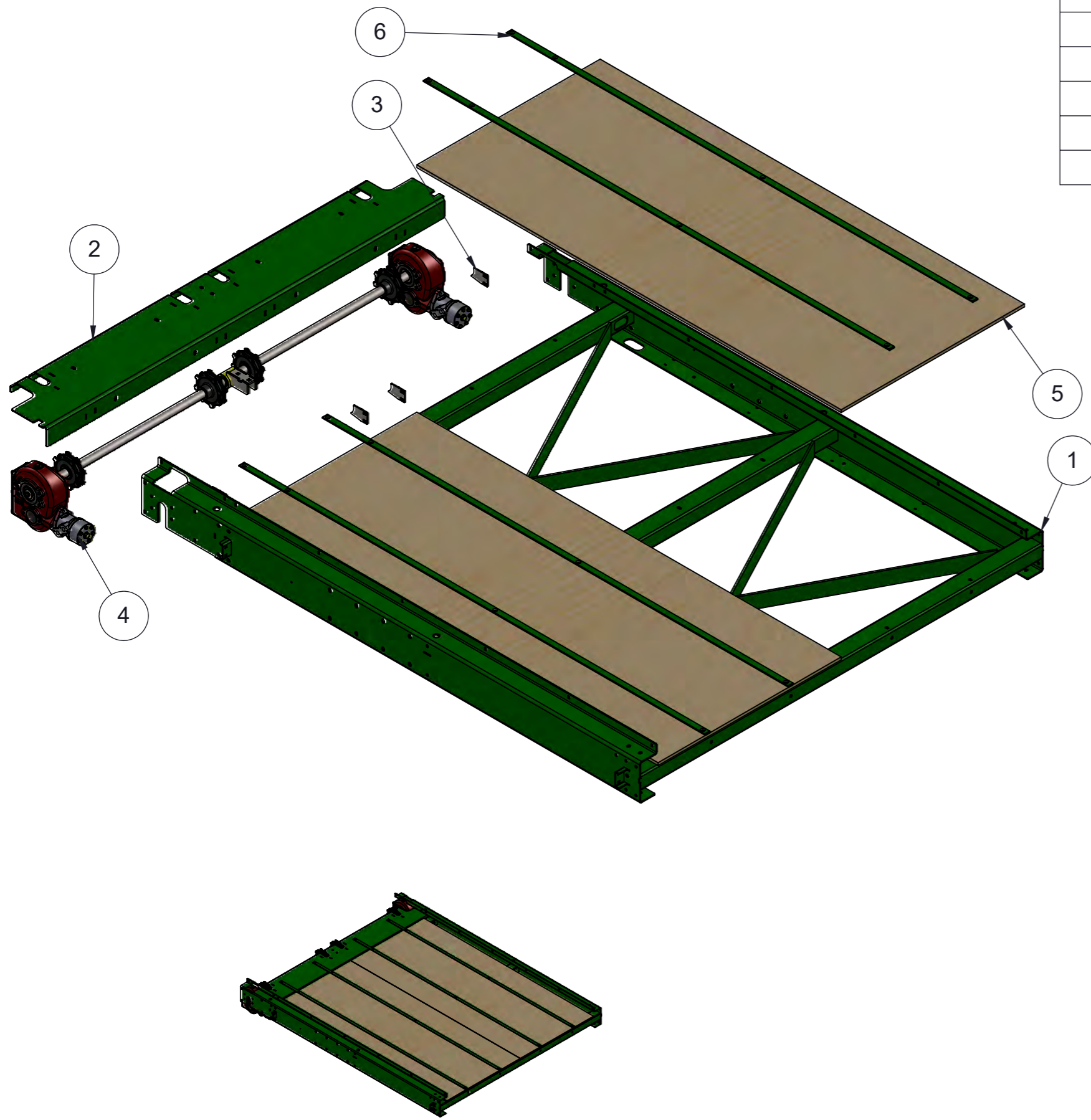
Material:	Thickness:	Surface treatment:	
Tolerance not specified according to NS-EN 22768-1:	Medium	Sheet scale:	Drawing number:
Designed by:	Helge	01.11.2023	31410
Weight	Projection:	Revision:	
	A3	T1	
		Strammeseksjon komplett	
Content in:	Project:	Replaced by:	



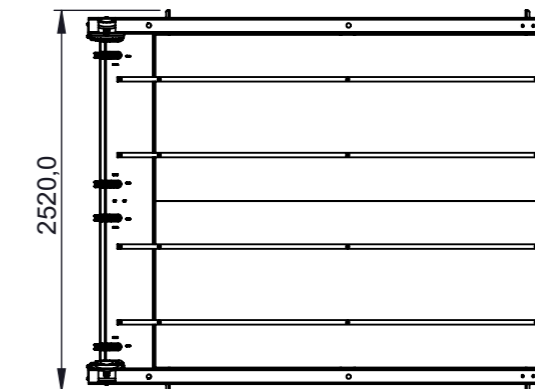
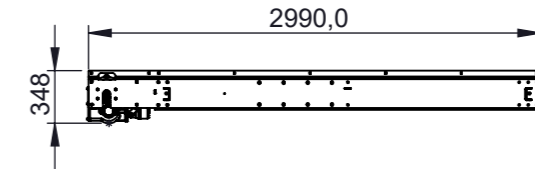
ITEM NO.	PART NUMBER	DESCRIPTION	QTY.
1	31421	Fremre neseplate	1
2	31426	Avskraper feste	4
3	31427	Støtte for frontplate	4



Material:	Thickness:	Surface treatment: Powdercoat RAL 6005 Green	
Tolerance not specified according to: NS-EN 1430:2009.	Sheet scale: 1:20	Drawing number: 31420	Revision: T5
Designed by: Helge	24.10.2025	Weight: 59 Kg	Projection: A3
		Frontplate sveist	
Content in:	Project:	Replaced by:	

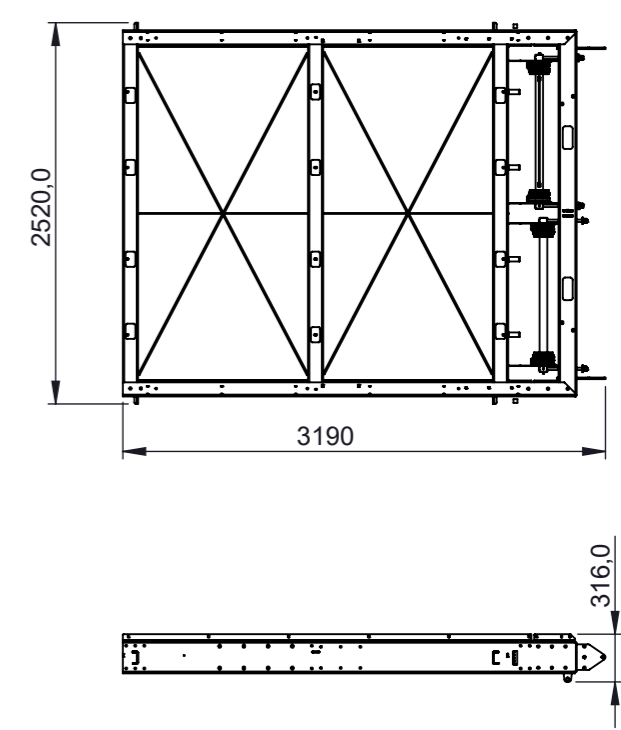
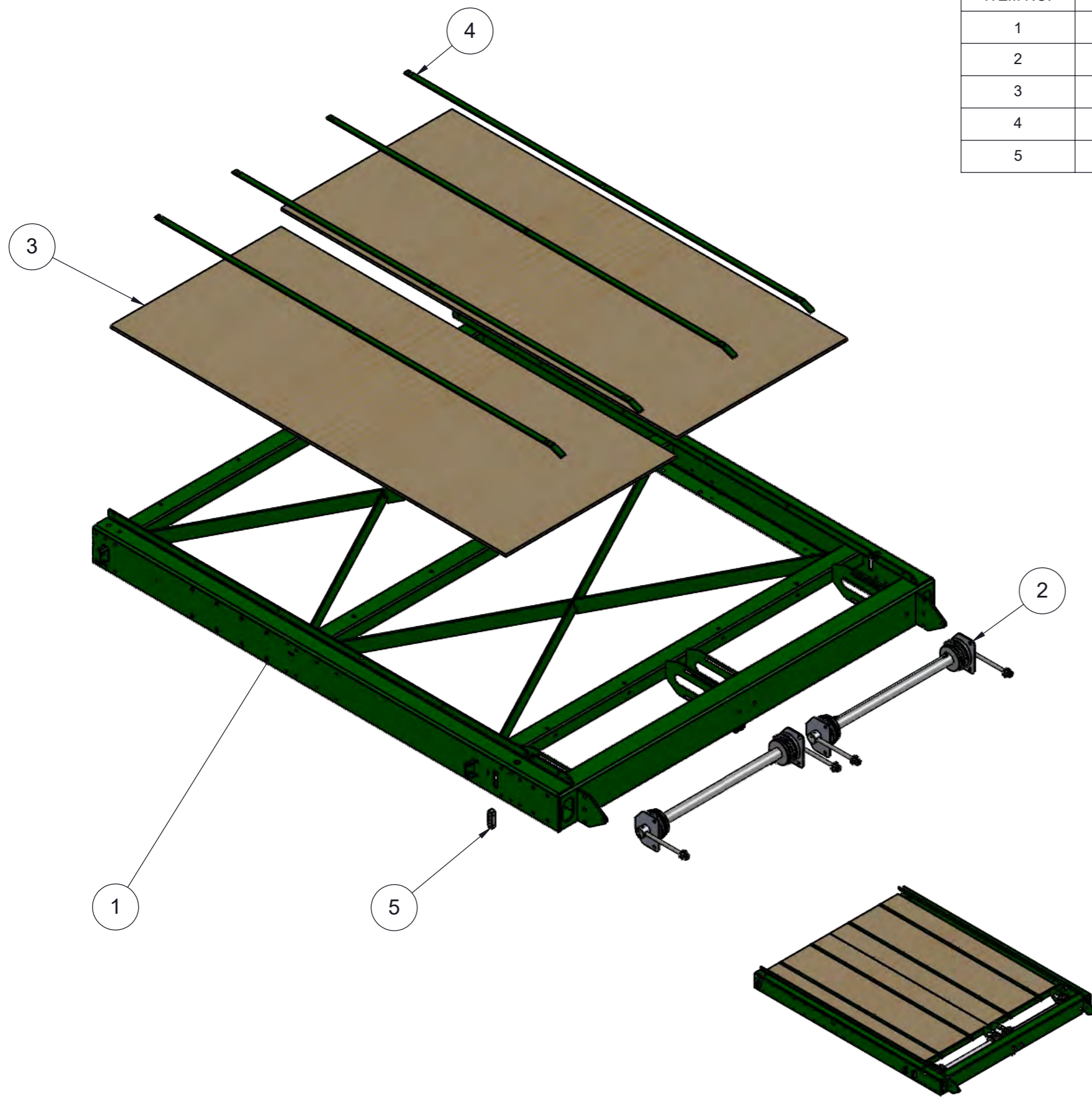


ITEM NO.	PART NUMBER	DESCRIPTION	QTY.
1	31445	Sveist bakre bunnseksjon	1
2	31420	Frontplate sveist	1
3	19182	Avskraper for kabelarhjul	4
4	31370	Drivlinje kort vogn med aksel og kabelarhjul	1
5	31412	Bunnplate vannfast 15 mm	2
6	31414	Slitelist for bakseksjon	4



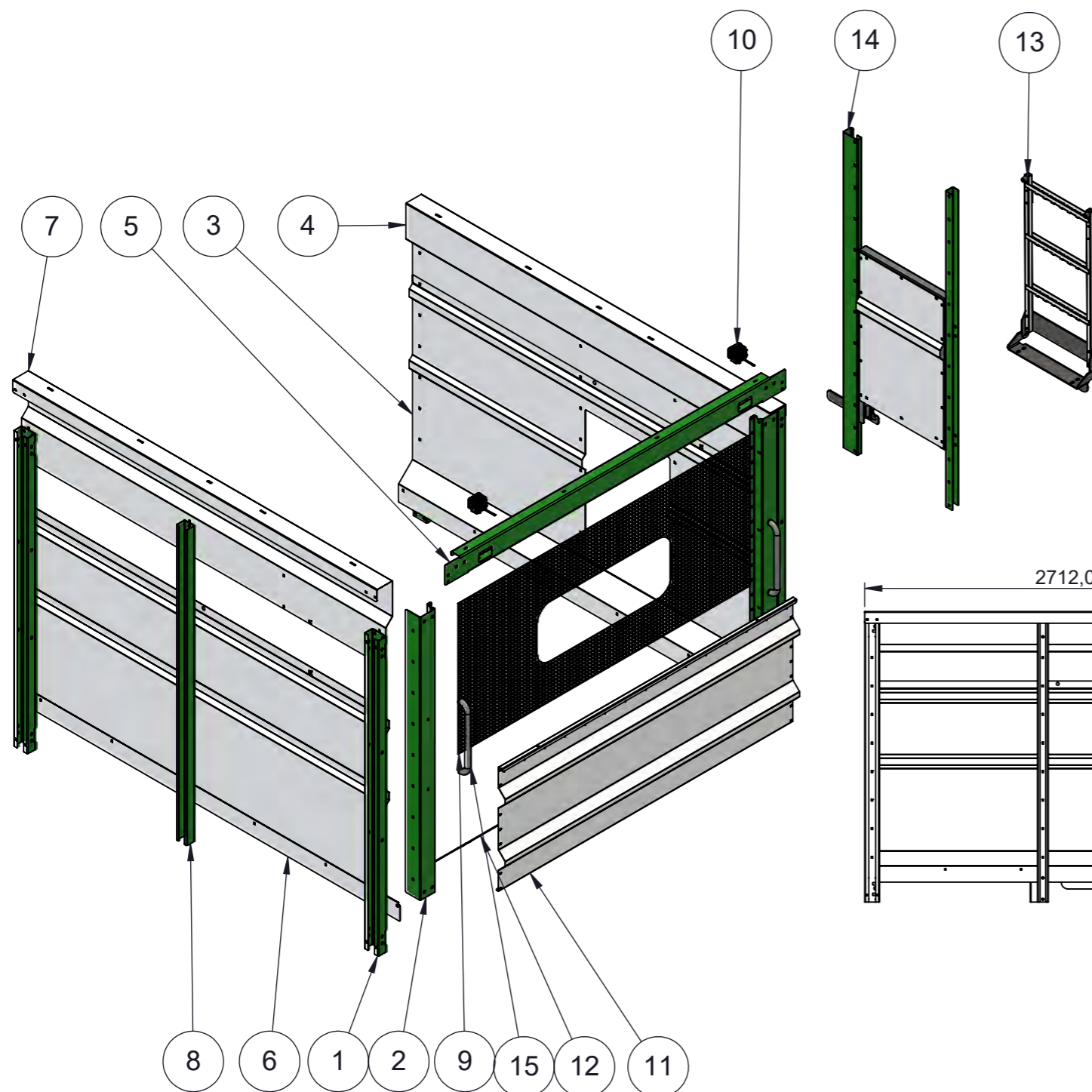
Material:		Thickness:	Surface treatment:	
Tolerance not specified according to: NS-EN 1430:2009.		Sheet scale:	Drawing number:	Revision:
Designed by: Helge		24.10.2025	31430	T4
Weight	Projection:	A3		
		Bunnseksjon bakre montert		
		Content in:	Project:	Replaced by:

ITEM NO.	PART NUMBER	DESCRIPTION	QTY.
1	31450	Bunramme front sveist	1
2	31410	Strammeseksjon komplett	2
3	31412	Bunnplate vannfast 15 mm	2
4	31413	Slitelist for frontseksjon	4
5	17691	Bar for sentralsmøring	2

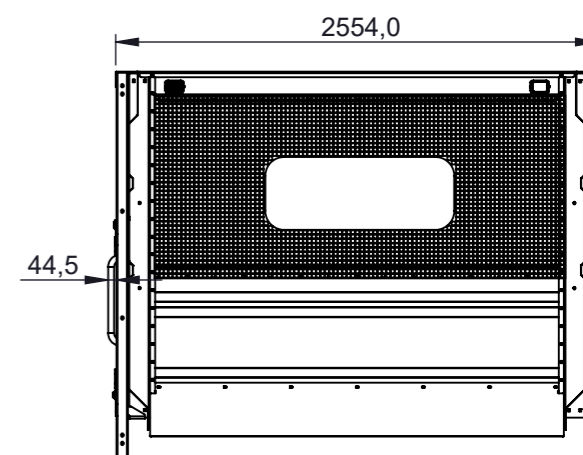
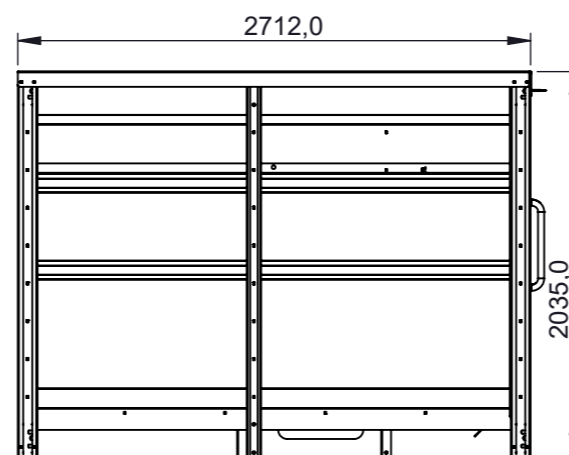


Material:	Thickness:	Surface treatment:	
Tolerance not specified according to: NS-EN 1430:2009.	Sheet scale: 1:50	Drawing number: 31435	Revision: T4
Designed by: Helge	24.10.2025	Projection: A3	Bunramme front montert
Weight			
		Content in:	Replaced by:
		Project:	

ITEM NO.	PART NUMBER	DESCRIPTION	QTY.
1	31453	Profil midtseksjon sideplater	4
2	31432	Front rammeprofil	2
3	31473	Sidekarm nedre front	1
4	31474	Sidekarm øvre front	1
5	31483	Øvre frontprofil	1
6	32806	Sidekarm nedre front H. side	1
7	31593	Sidekarm øvre front	1
8	31451	Profil sideplater	1
9	31456	Nett front	1
10	31458	Lumen Workforce SQ6 - 13779	2
11	31472	Fremre karm	1
12	31484	Gummiskjørt for fremskjerm	1
13	32920	Stige montert komplett	1
14	32935	Luke komplett med lås og stolper	1
15	32904	Handtak	2

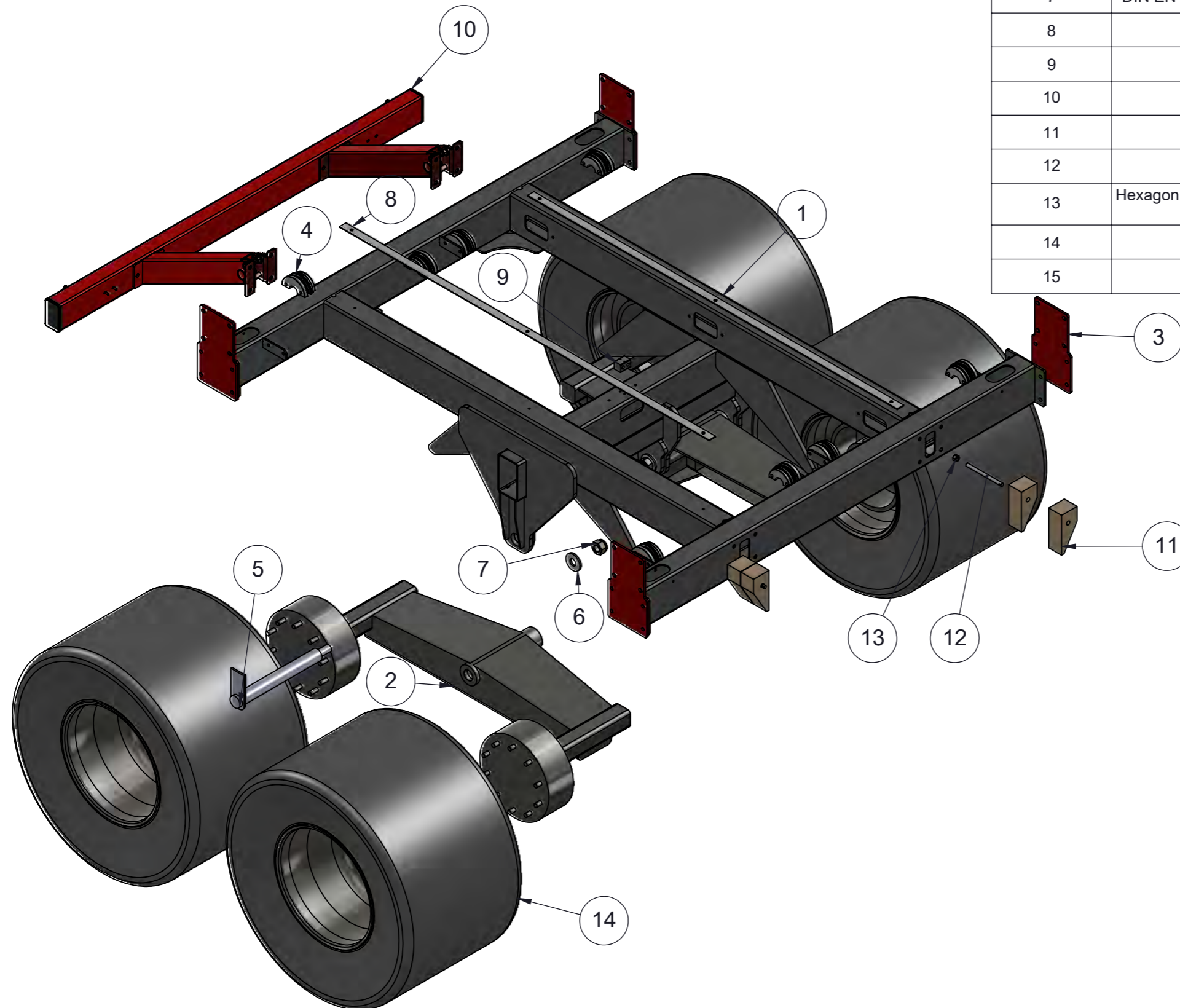


Note:
Pos 11 and 12 - option if ordered without acid tank.



Material:	Thickness:	Surface treatment:	
Tolerance not specified according to: NS-EN 1430:2009.	Sheet scale: 1:50	Drawing number: 31485	Revision: T5
Designed by: Helge	09.02.2026	Weight 255 Kg	
Projection: A3		Front karmsett	
Content in:		Project:	Replaced by:






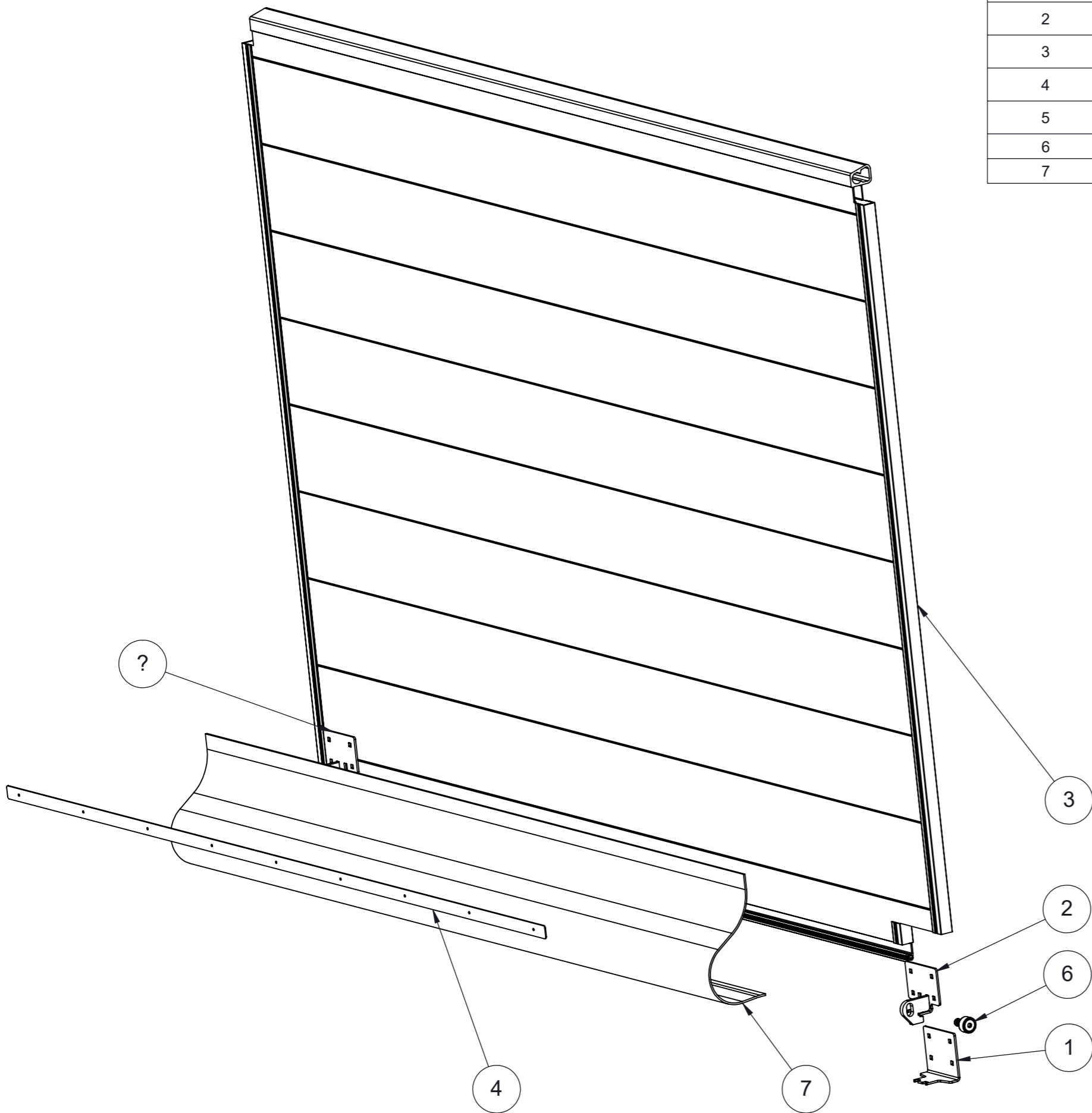
ITEM NO.	PART NUMBER	DESCRIPTION	QTY.
1	31695	Boggiramme sveist	1
2	31690	Foss Eik Boggikasse komplett	2
3	31498	Endebrakett	4
4	19141	Plast halvdel støtterull	8
5	31691	Bolt boggikasse	2
6	31692	Boggi stoppskive	2
7	DIN EN ISO 7040 - M36 - N		2
8	31801	Slitelist	2
9	31954	Grenblokk 3/8"	1
10	31790	Underkjøringsvern montert	1
11	32085	Park kloss	4
12	31971	M16 gjengestang	2
13	Hexagon Nut ISO 4034 - M16 - N		4
14	31075	710/40r22,5 Dia1128 Offset - 100	4
15	31630	600/50r22,5 Dia1168 Offset - 0	4

Pos: 2,5,6+7 leveres av Foss Eik


Pos: 14 alternativt 15 er dekk alternativer

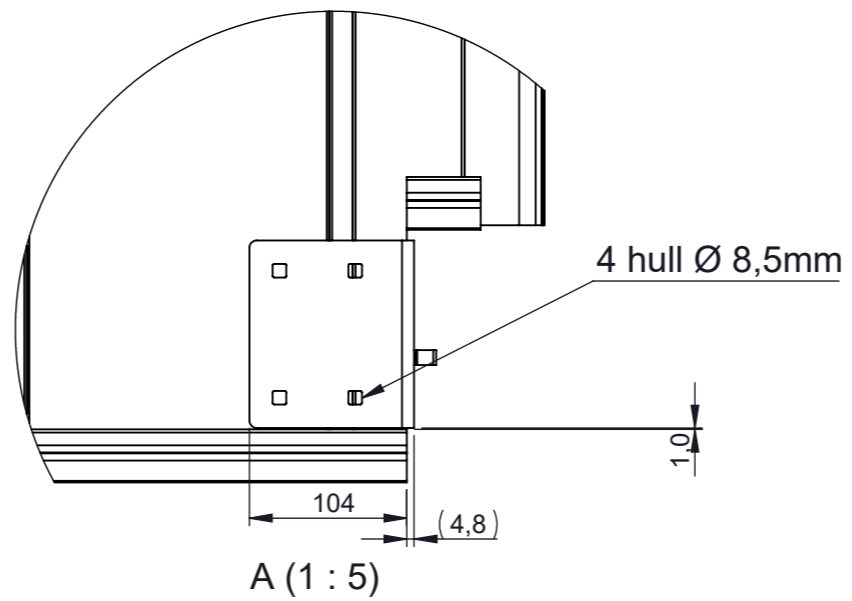
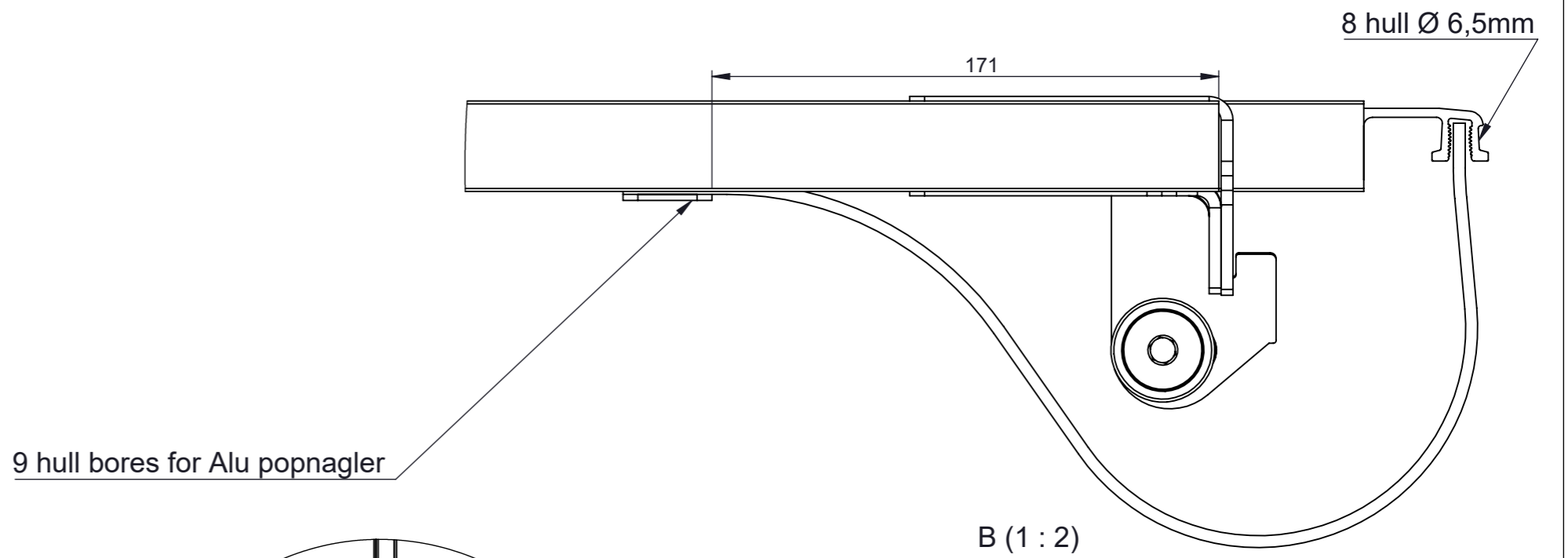
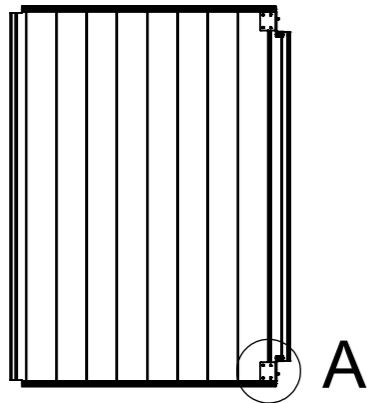
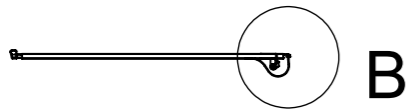
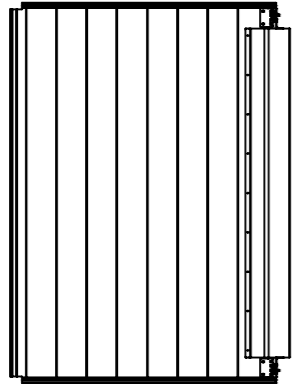
Material:	Thickness:	Surface treatment:	
Tolerance not specified according to: NS-EN 1430:2009.	Sheet scale: 1:50	Drawing number: 31490	Revision: T3
Designed by: Helge	06.12.2024	Weight	Projection: A3
Content in:		Project:	
Replaced by:		Boggiramme montert	
			


ITEM NO.	PART NUMBER	DESCRIPTION	QTY.
1	31596	Utvendig låsebrakett	2
2	31625	Låsebrakett innv. sveist	1
3	31675	Bakluke	1
4	31887	List f. bakluke	1
5	31626	Låsebrakett innv. sveist	1
6	32236	Roller cam	2
7	31666	PVC band	1

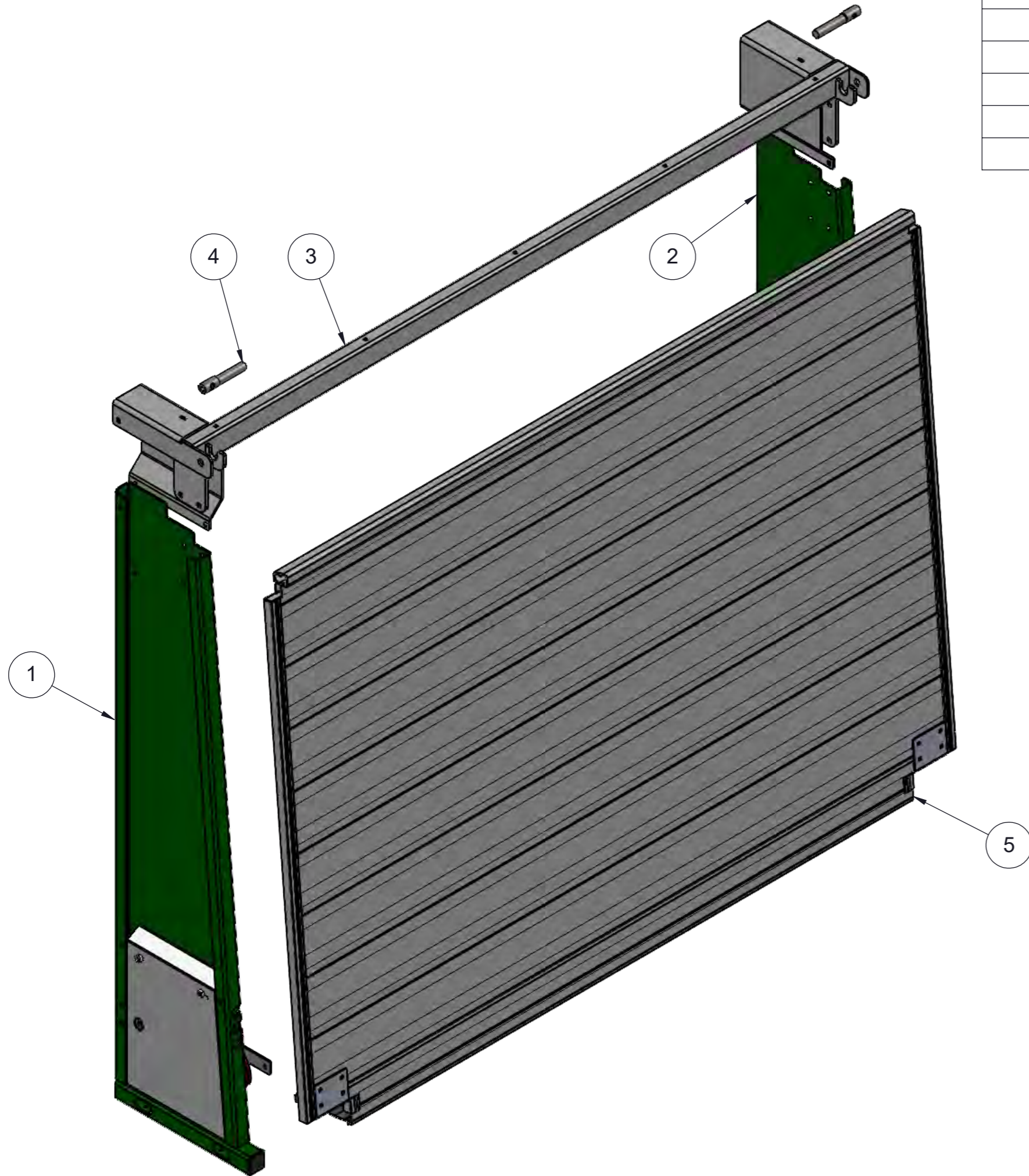


Sammenstilling instruksjon på neste side


Material:		Thickness:	Surface treatment:	
Tolerance not specified according to: NS-EN 1430:2009.		Sheet scale:	Drawing number:	Revision:
Designed by: Helge		1:50	31595	T3
Weight		Projection: A3	Bakluke montert	
		Content in:		
		Project:		Replaced by:



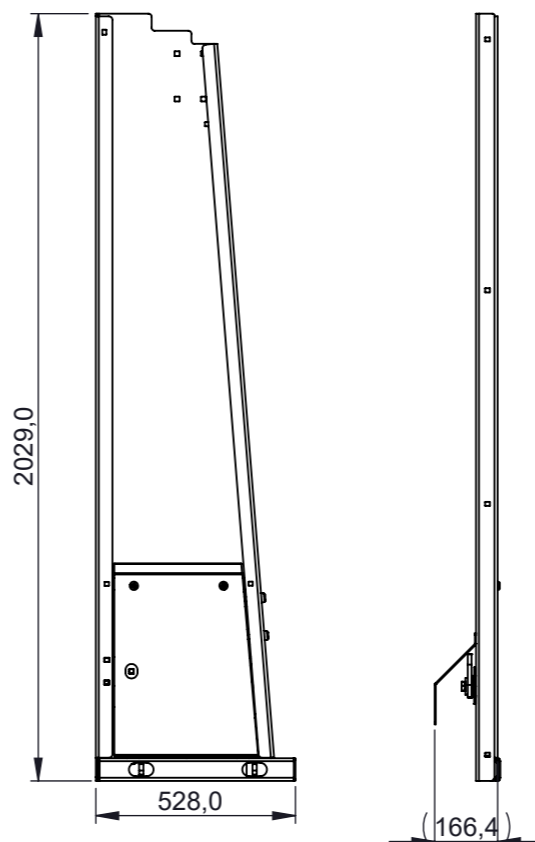
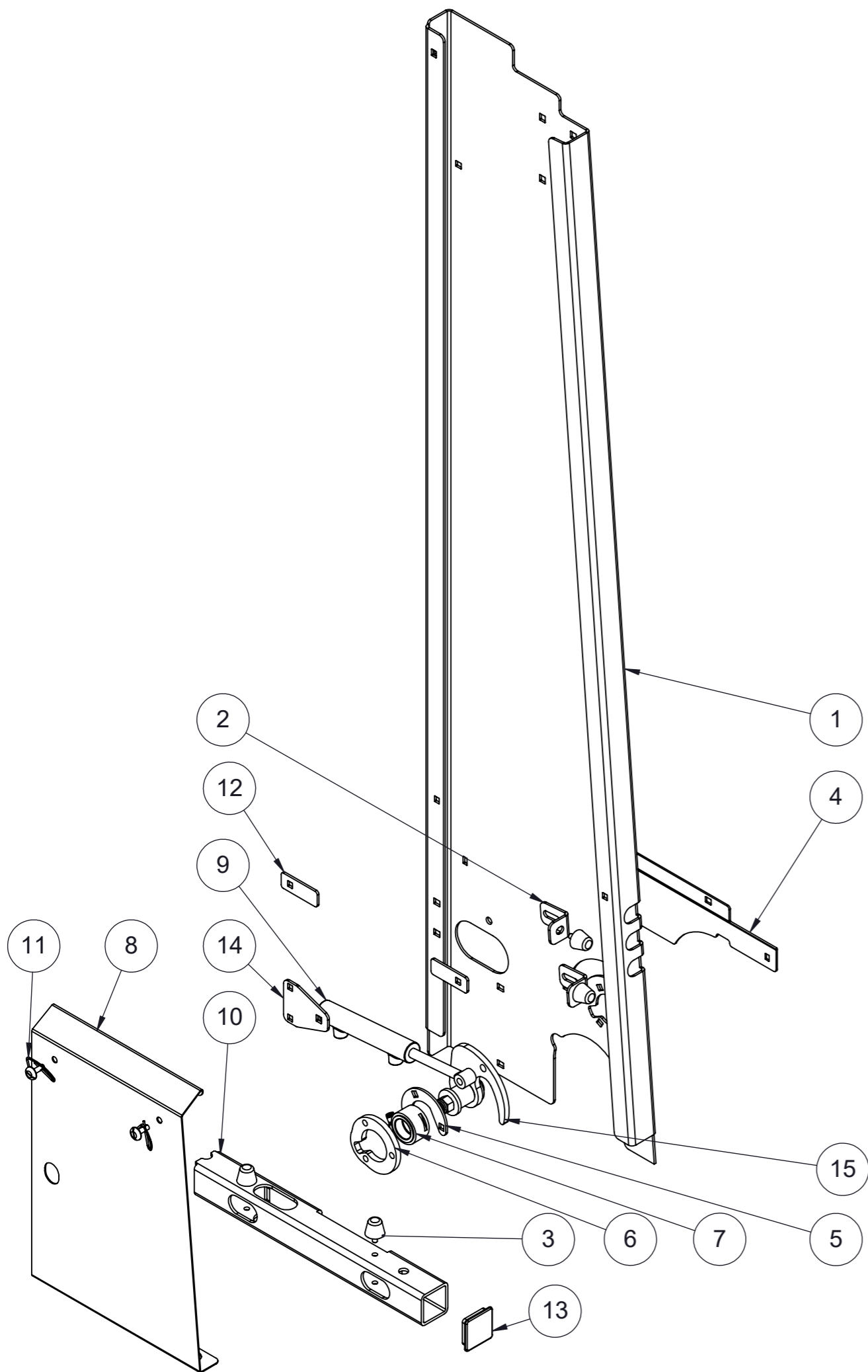
Material:		Thickness:	Surface treatment:	
Tolerance not specified according to: NS-1430:		Sheet scale:	Drawing number:	Revision:
Designed by: Helge		1:50	31595	T3
07.02.2025		Projection: A3	Bakluke montert	
Weight		Project:		
Content in:		Project:		Replaced by:
				



ITEM NO.	PART NUMBER	DESCRIPTION	QTY.
1	31650	V. Sideplate for bakluke montert	1
2	31680	H. Sideplate for bakluke montert	1
3	31665	Bakluke travers sveist	1
4	31662	Eksenteraksel	2
5	31595	Bakluke montert	1

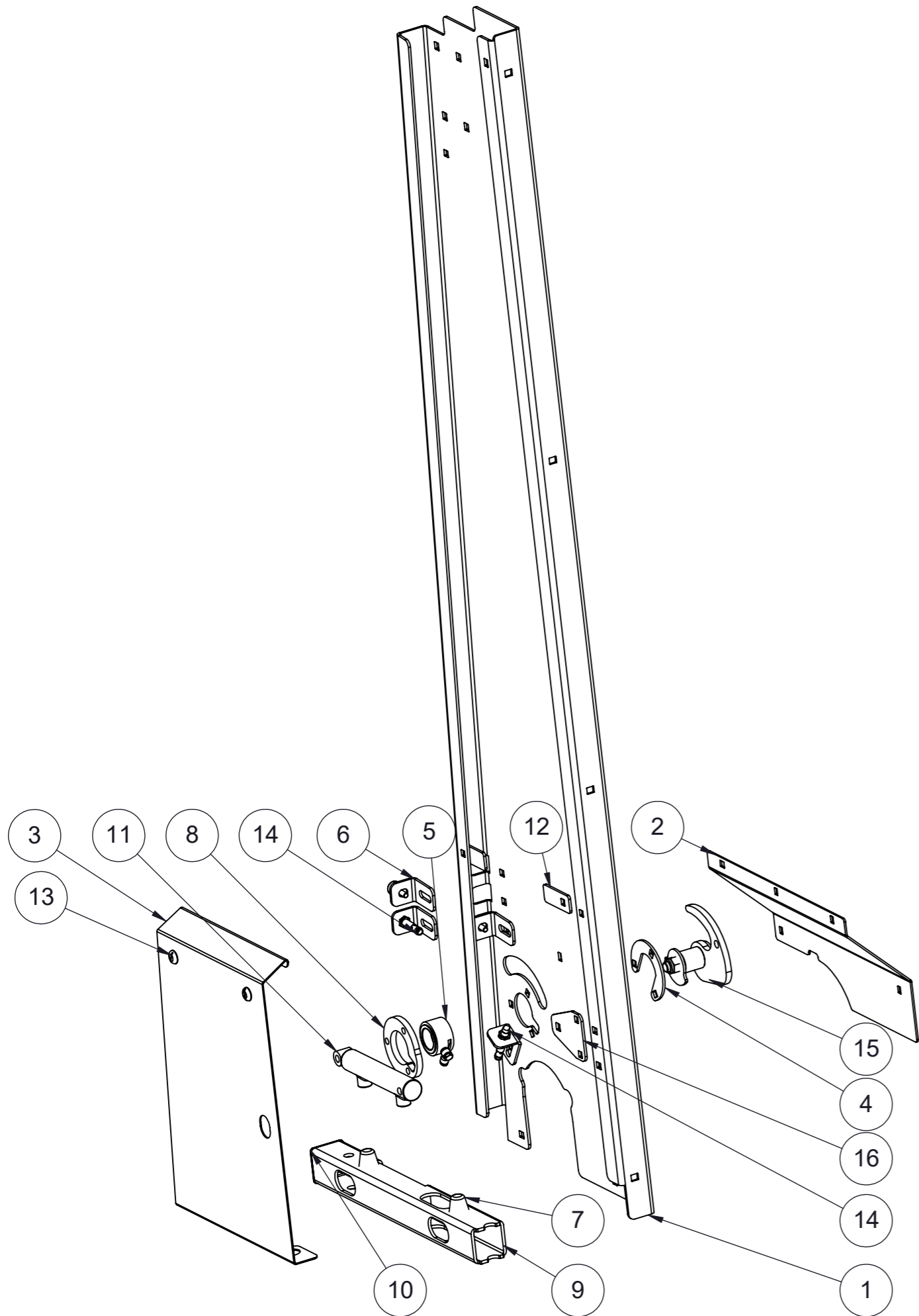
Material:		Thickness:	Surface treatment:	
Tolerance not specified according to: NS-EN 1430:2009.		Sheet scale:	Drawing number:	Revision:
Designed by: Helge		10.11.2025	31605	T5
Weight	179 Kg	Projection:	A3	
		Bakluke seksjon montert		
		Content in:	Project:	Replaced by:

ITEM NO.	PART NUMBER	DESCRIPTION	QTY.
1	31601	Bakre sidepanel	1
2	31659	Luke dempe brakett	2
3	31632	Buffer GN 253-32-M8-16-40	4
4	31603	Profilplate	1
5	31078	Låseplate for lager	1
6	31741	Støtteplate for lager	1
7	17105	Komplett lager med spor	1
8	31621	Deksel f. aktuator	1
9	32230	Sylinder for lås bakluke	1
10	31207	Bakkarm Støtfanger	1
11	17096	Camlock 14 turn	2
12	32223	Deksel feste	2
13	32224	Plastplugg 60x60x5 firkantrør	1
14	32233	Sylinderfeste	1
15	32235	V. kroklås med roterende deler	1

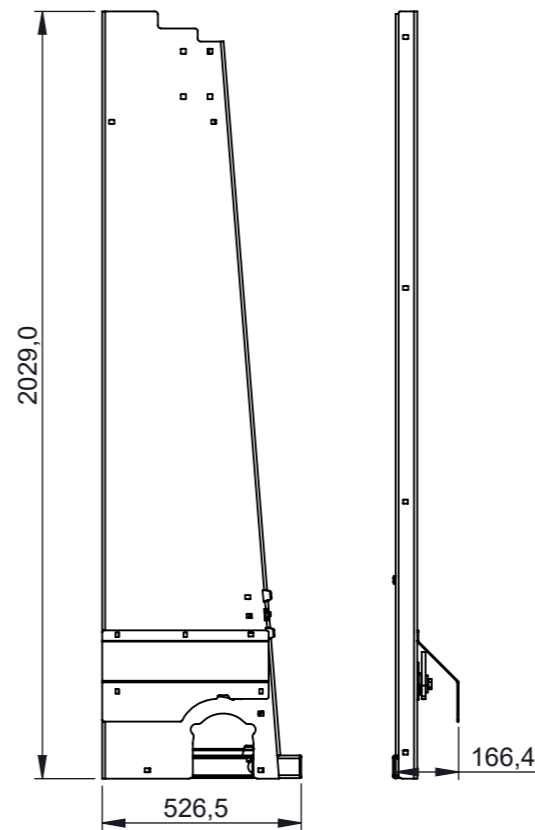


Material:	Thickness:	Surface treatment:	
Tolerance not specified according to: NS-EN 1430:2009.	Sheet scale: 1:50	Drawing number: 31650	Revision: T6
Designed by: Helge	10.11.2025	Projection: A3	
Weight	V. Sideplate for bakluke montert		
Content in:		Project:	Replaced by:

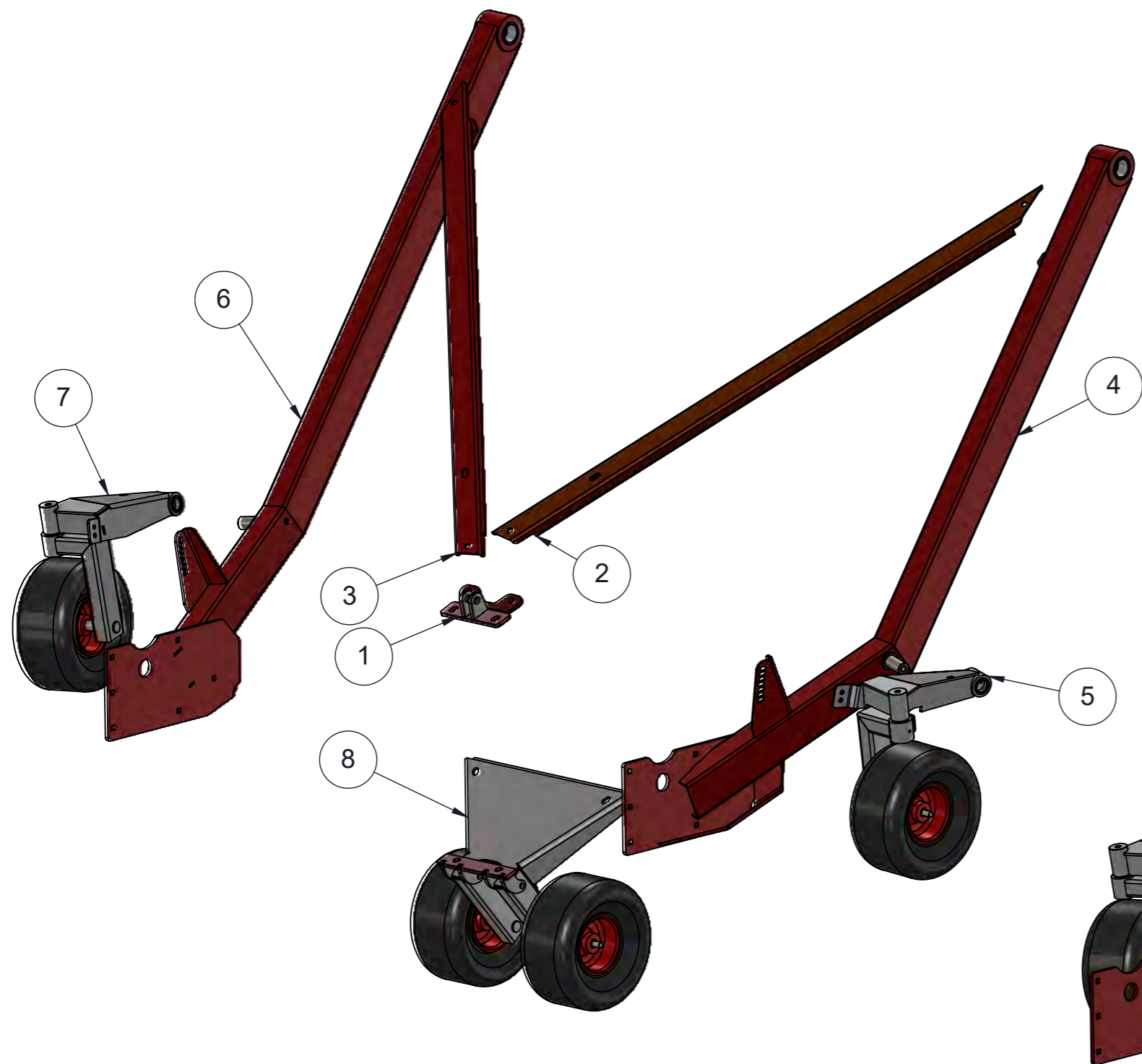




ITEM NO.	PART NUMBER	DESCRIPTION	QTY.
1	31604	Bakre sidepanel	1
2	31607	Profilplate	1
3	31622	Deksel f. aktuator	1
4	31078	Låseplate for lager	1
5	17105	Komplett lager med spor	1
6	31659	Luke dempe brakett	4
7	31632	Buffer GN 253-32-M8-16-40	4
8	31741	Støtteplate for lager	1
9	31207	Bakkarm Støtfanger	1
10	32224	Plastplugg 60x60x5 firkantør	1
11	32230	Sylinder for lås bakluke	1
12	32223	Deksel feste	2
13	17096	Camlock 14 turn	2
14	32240	E2B-M12LN08-WP-B2 2M	2
15	32245	H. kroklås med roterende deler	1
16	32233	Sylinderfeste	1




Material:	Thickness:	Surface treatment:	
Tolerance not specified according to: NS-EN 1430:2009.	Sheet scale: 1:50	Drawing number: 31680	Revision: T5
Designed by: Helge	10.11.2025	Weight	Projection: A3
		H. Sideplate for bakluke monteret	
		Content in:	Project:

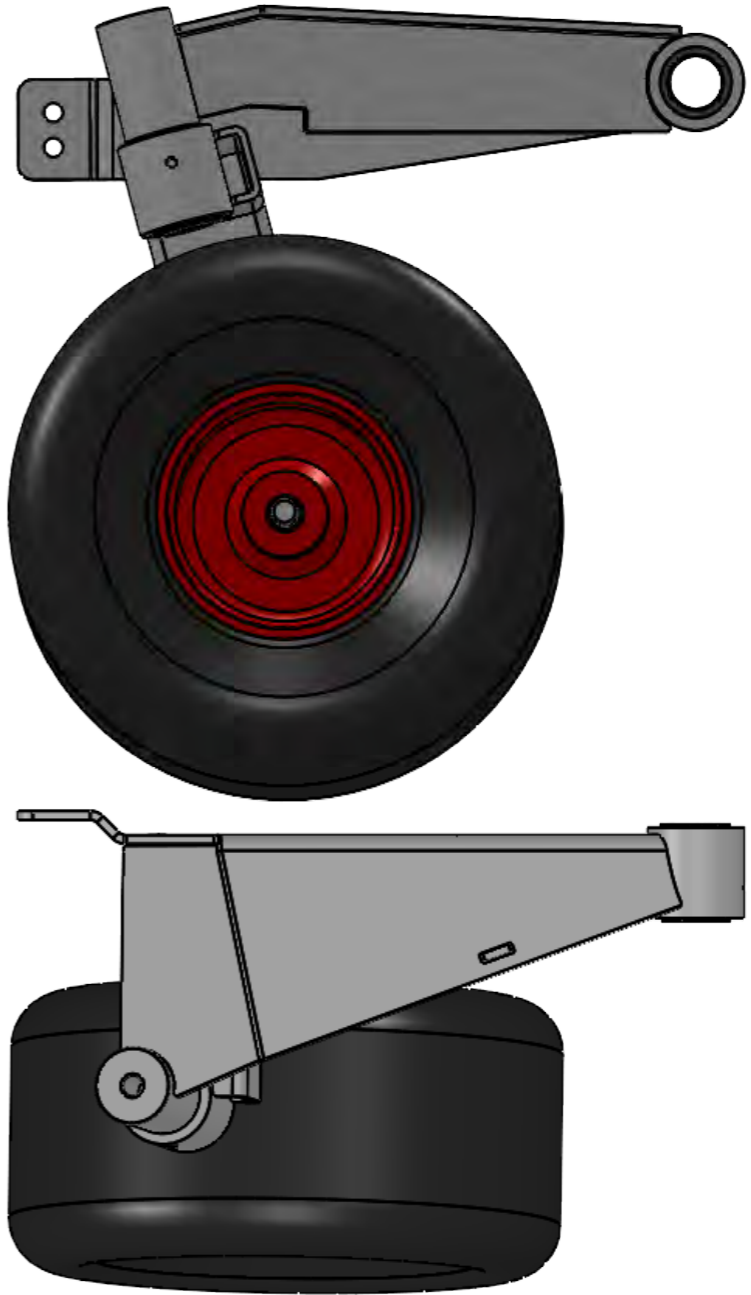
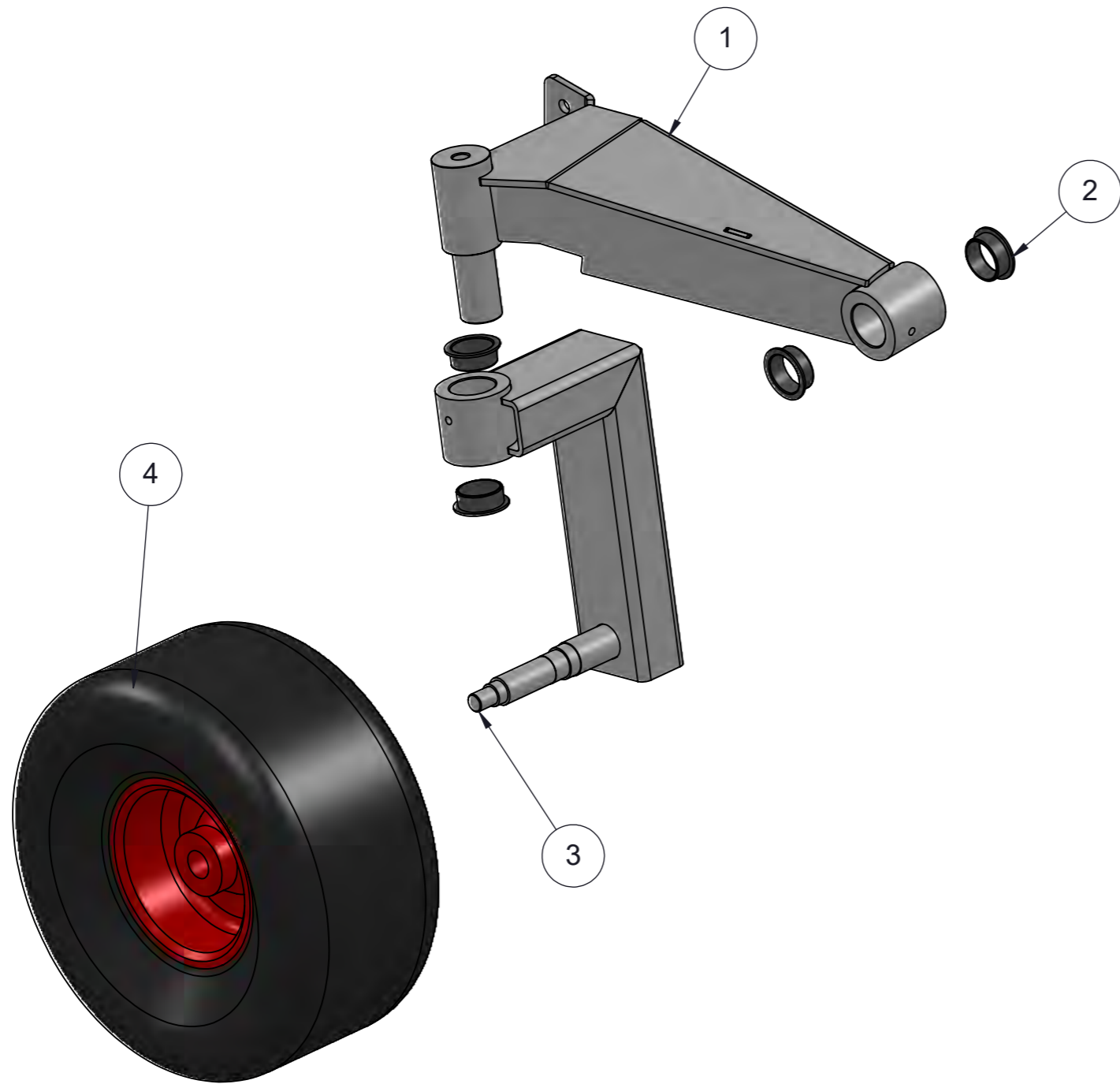


ITEM NO.	PART NUMBER	DESCRIPTION	QTY.
1	32110	Sylinderfeste sveist	1
2	31556	Tverrstag for oppheng	1
3	31559	Tverrstag for oppheng	1
4	31715	Svingarm V. montert	1
5	31720	Hjularm V. montert	1
6	31725	Svingarm H. montert	1
7	31730	Hjularm H. montert	1
8	31735	Senter støttehjul montert	1



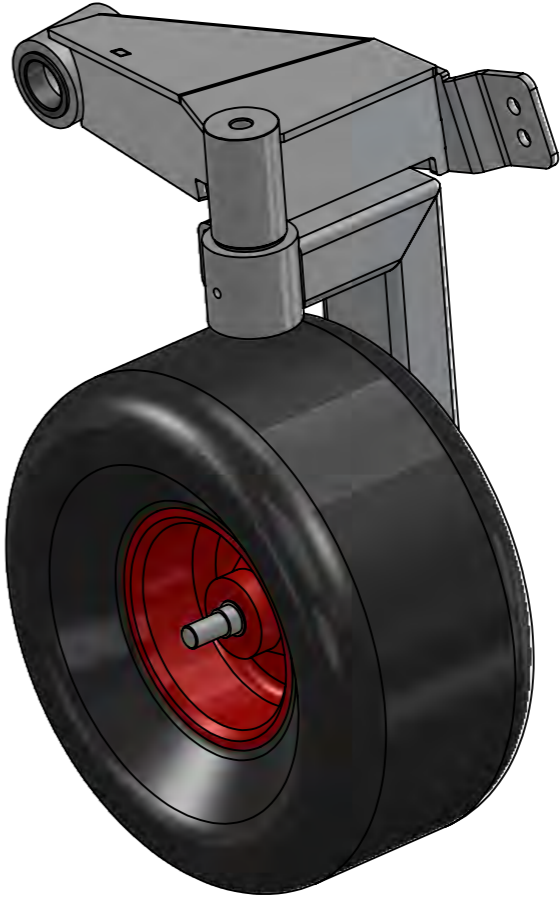
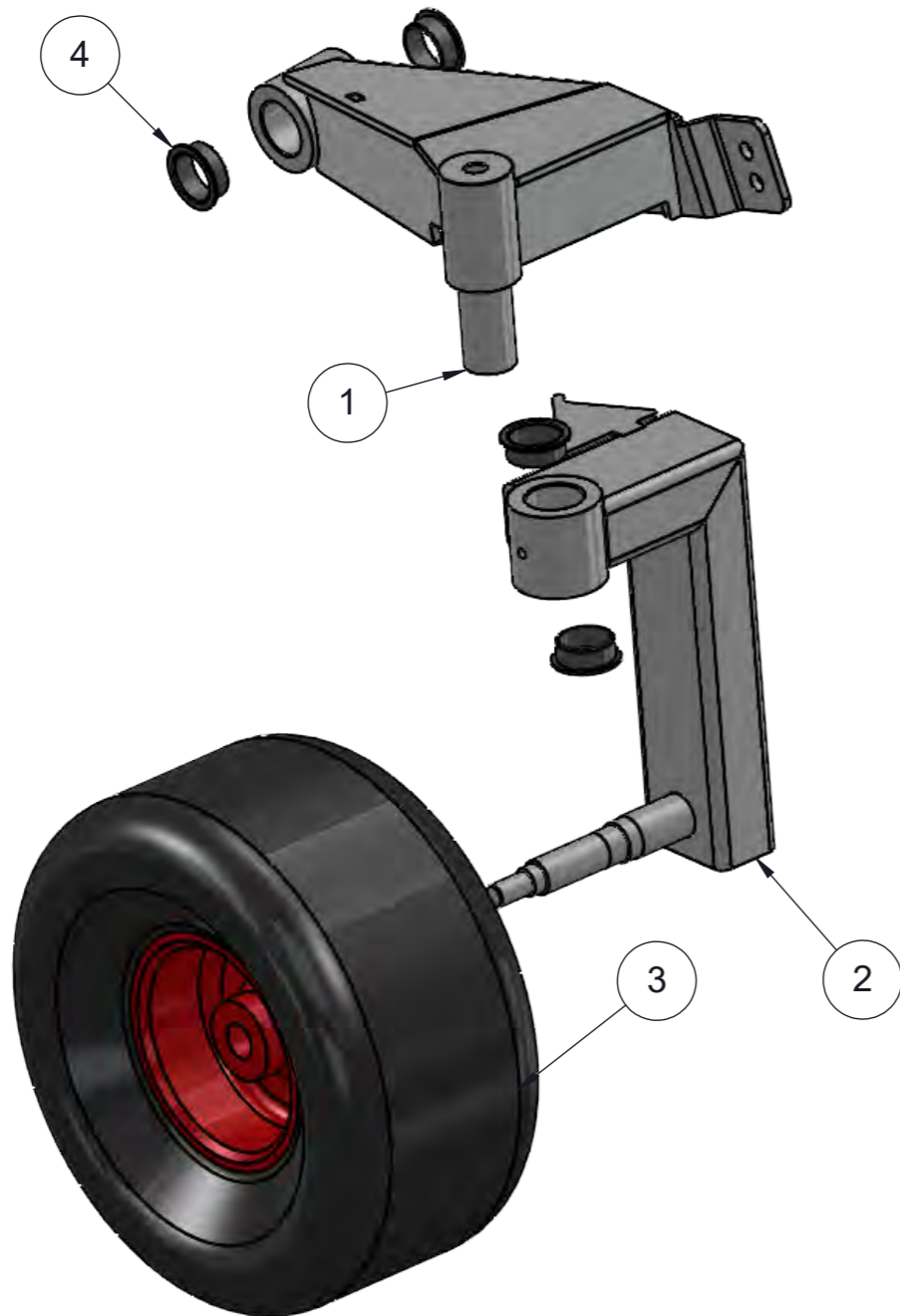
Material:		Thickness:	Surface treatment:	
Tolerance not specified according to: NS-EN 1430:2009.		Sheet scale:	Drawing number:	Revision:
Designed by: Helge		02.12.2024	1:50	31710
Weight		Projection: A3	Svingfeste rotorhus komplett	
				
Content in:	Project:	Replaced by:		


ITEM NO.	PART NUMBER	DESCRIPTION	QTY.
1	31185	Sving hjularm sveist	1
2	17098	Igus foring 35 mm	4
3	31320	Hjulgaffel V. sveist	1
4	31170	Støtthjul med felg	1

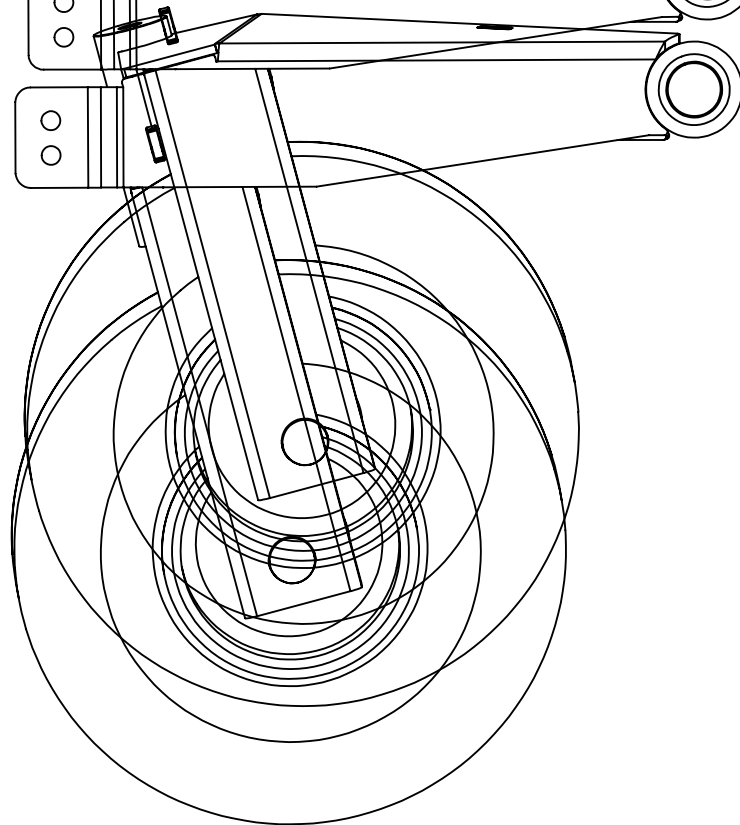


Material:	Thickness:	Surface treatment:	
Tolerance not specified according to: NS-EN 1430:2009.	Sheet scale: 1:10	Drawing number: 31720	Revision: T1
Designed by: Helge	26.01.2024	Projection: A3	Hjularm V. monteret
Weight	Project:		Replaced by:
Content in:	Project:	Replaced by:	

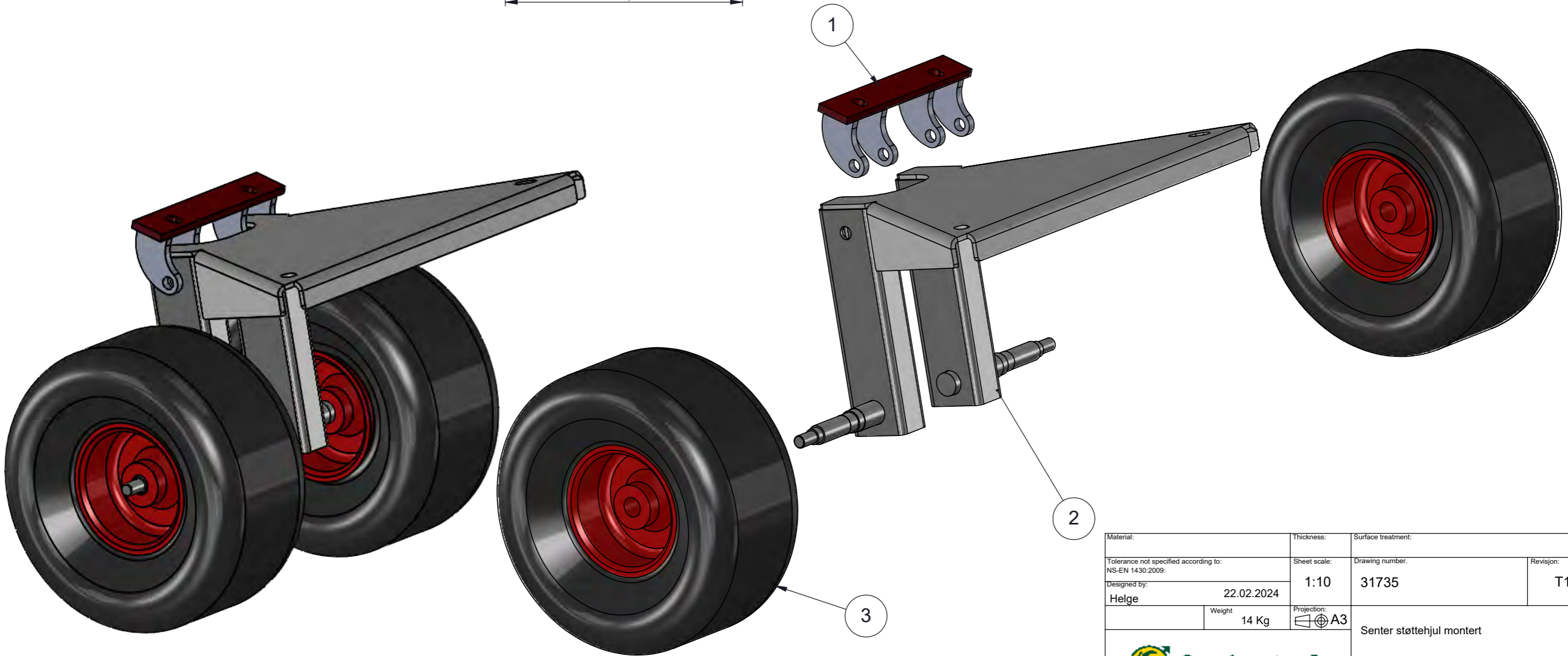
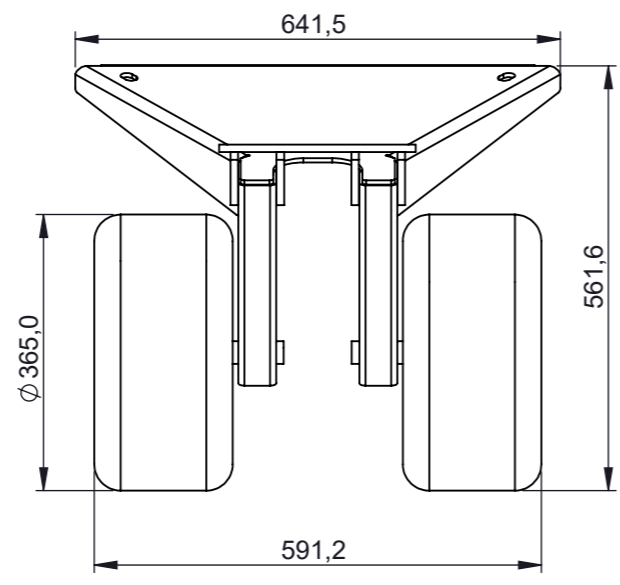
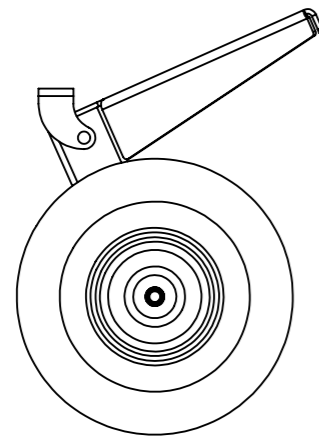
ITEM NO.	PART NUMBER	DESCRIPTION	QTY.
1	31190	Sving hjularm H. sveist	1
2	31385	Hjulgaffel H. sveist	1
3	31170	Støtthjul med felg	1
4	17098	Igus foring 35 mm	4




Material:		Thickness:	Surface treatment:	
Tolerance not specified according to: NS-EN 1430:2009.		Sheet scale:	Drawing number:	Revision:
Designed by: Helge		03.04.2024	1:10	31730
Weight		Projection: A3	T2	
			Hjularm H. monteret	
Content in:	Project:	Replaced by:		

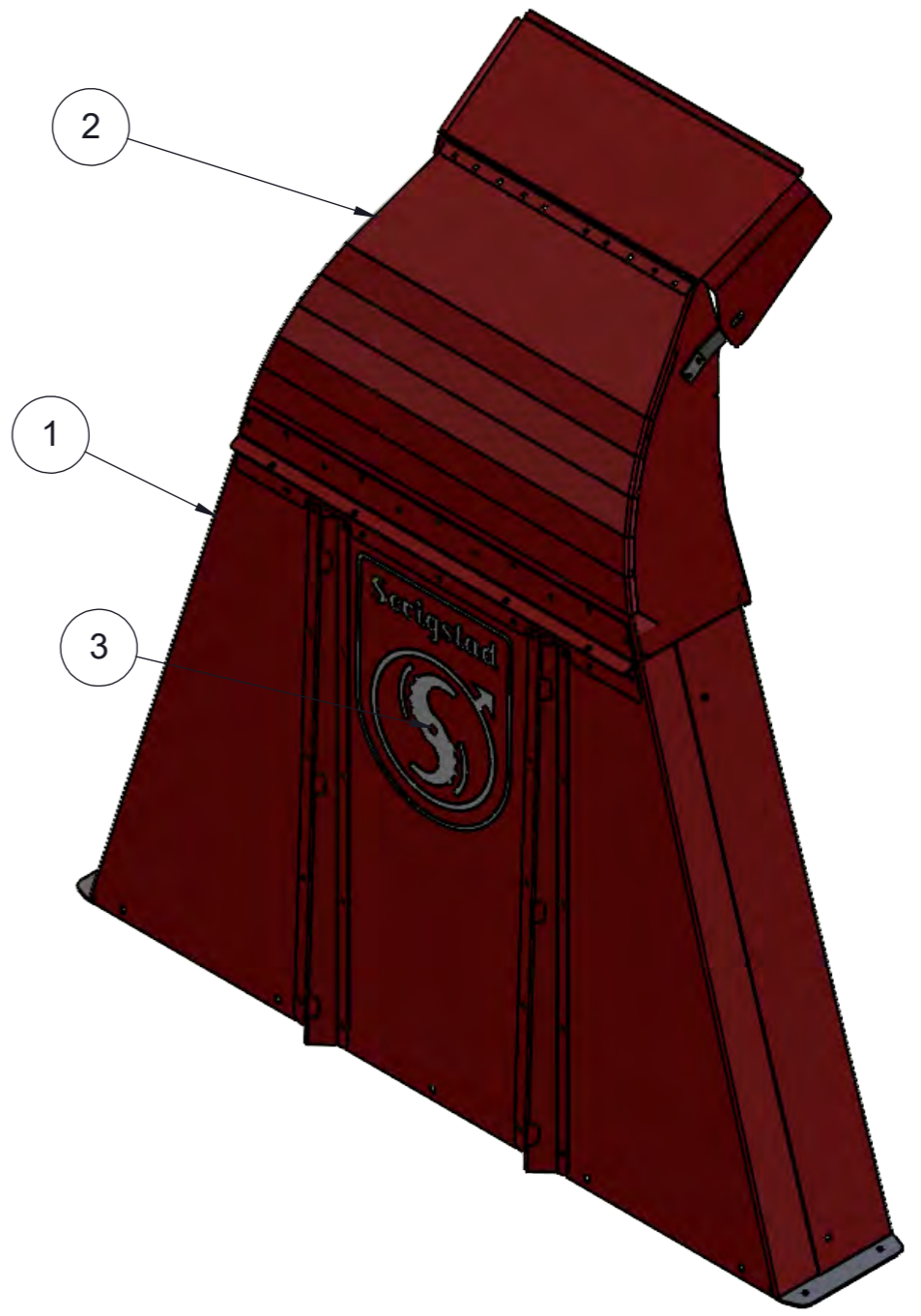
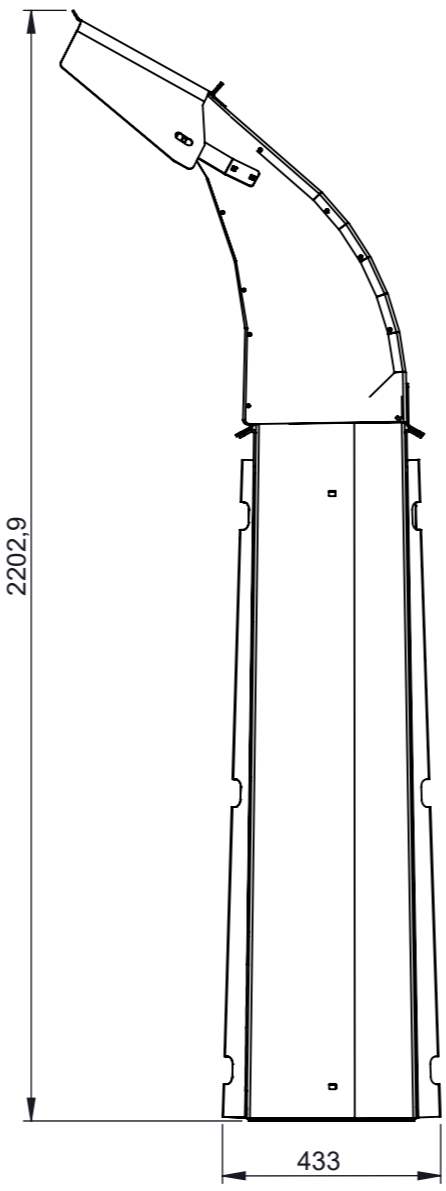
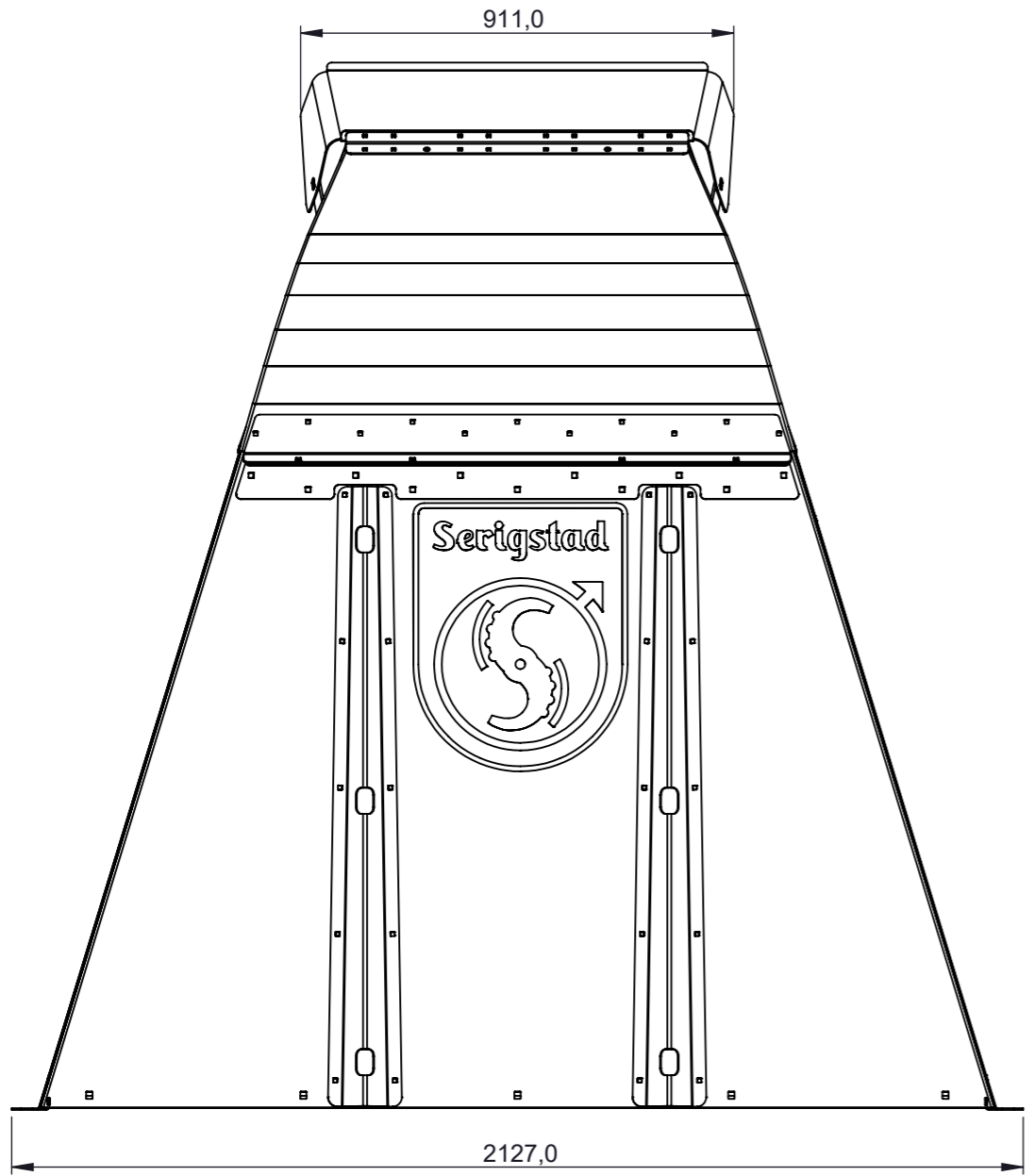


ITEM NO.	PART NUMBER	DESCRIPTION	QTY.
1	31785	Svingfeste sveist	1
2	31770	Senterhjul enhet sveist	1
3	31170	Støtthjul med felg	2

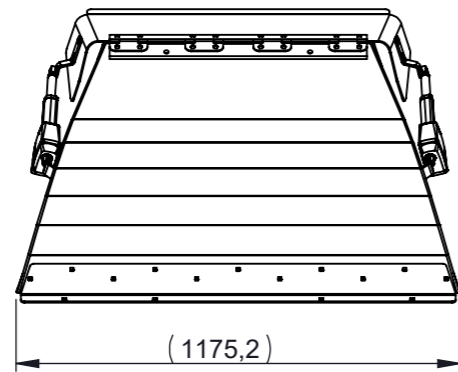
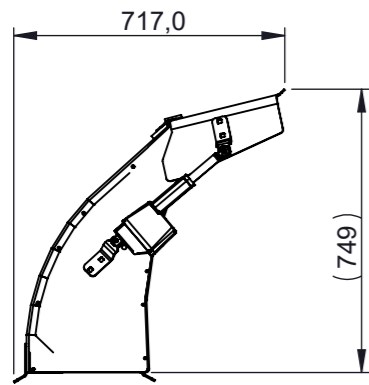


Material:	Thickness:	Surface treatment:	
Tolerance not specified according to: NS-EN 1430:2009.	Sheet scale: 1:10	Drawing number: 31735	Revision: T1
Designed by: Helge	22.02.2024	Weight 14 Kg	Projection: A3
		Senter støtthjul montert	
Content in:	Project:	Replaced by:	

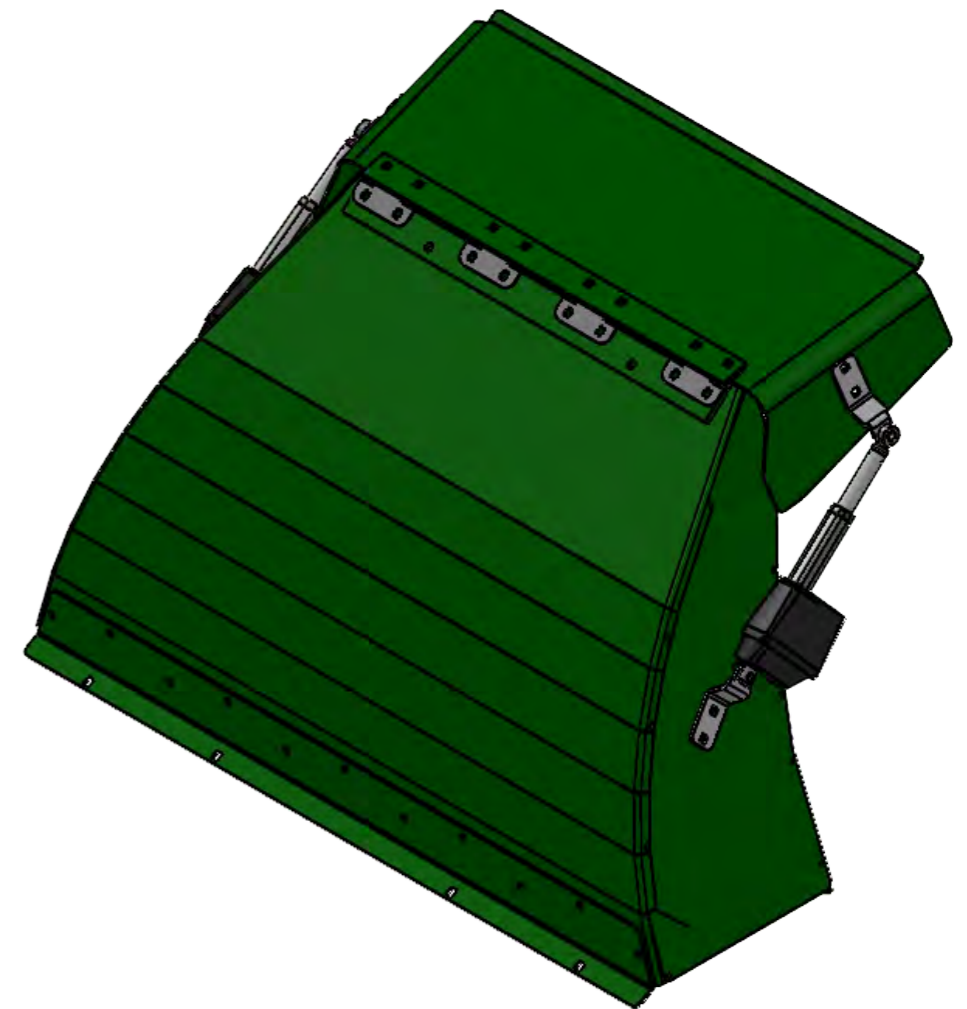
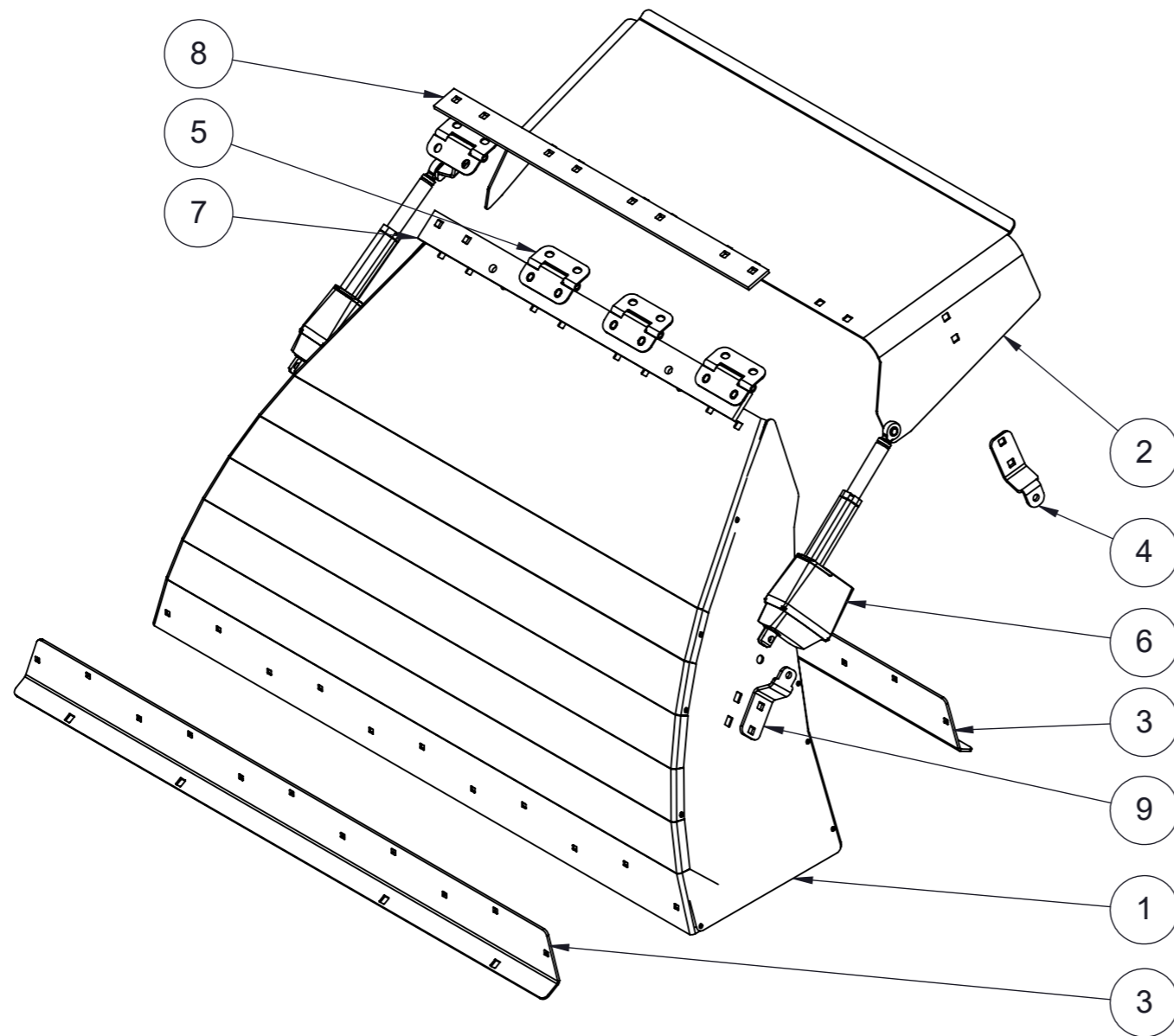
ITEM NO.	PART NUMBER	DESCRIPTION	QTY.
1	31745	Trakt monterert	1
2	31755	Stryte monterert	1
3	Serigstad Skjold 2	Serigstad Skjold	1



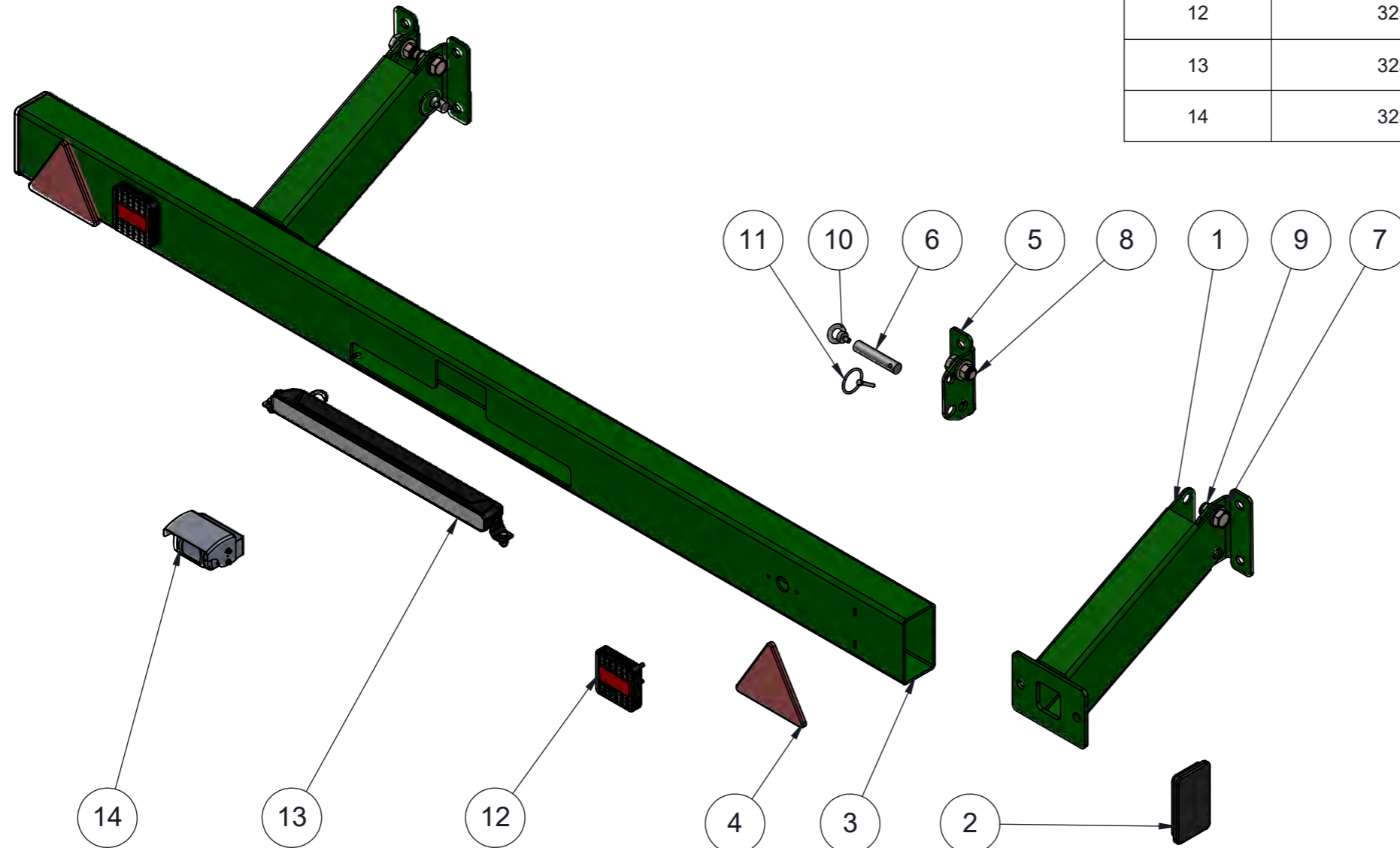
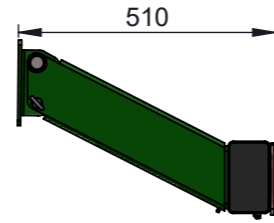
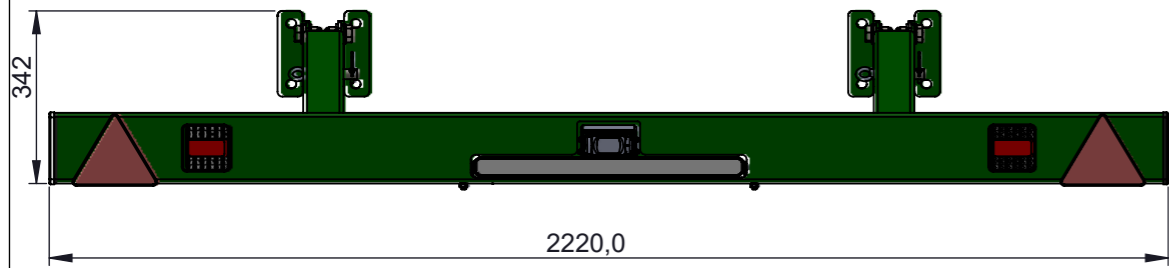
Material:		Thickness:	Surface treatment:	
Tolerance not specified according to: NS-EN 1430:2009.		Sheet scale:	Drawing number:	Revision:
Designed by: Helge		26.11.2024	1:20	31740
Weight 219		Projection: A3	T3	
			Trakt m. stryke komplett monterert	
Content in:		Project:	Replaced by:	



ITEM NO.	PART NUMBER	DESCRIPTION	QTY.
1	31760	Stryte sveist	1
2	31757	Klaff	1
3	31754	Stryte Ramme Front	2
4	31759	Feste Klaff	2
5	31756	Hengsle	4
6	32830	LA 25 150 mm	2
7	32821	Avstiver Frontplate Stryte	1
8	32822	Avstiver klaff	1
9	31758	Feste Klaff	2

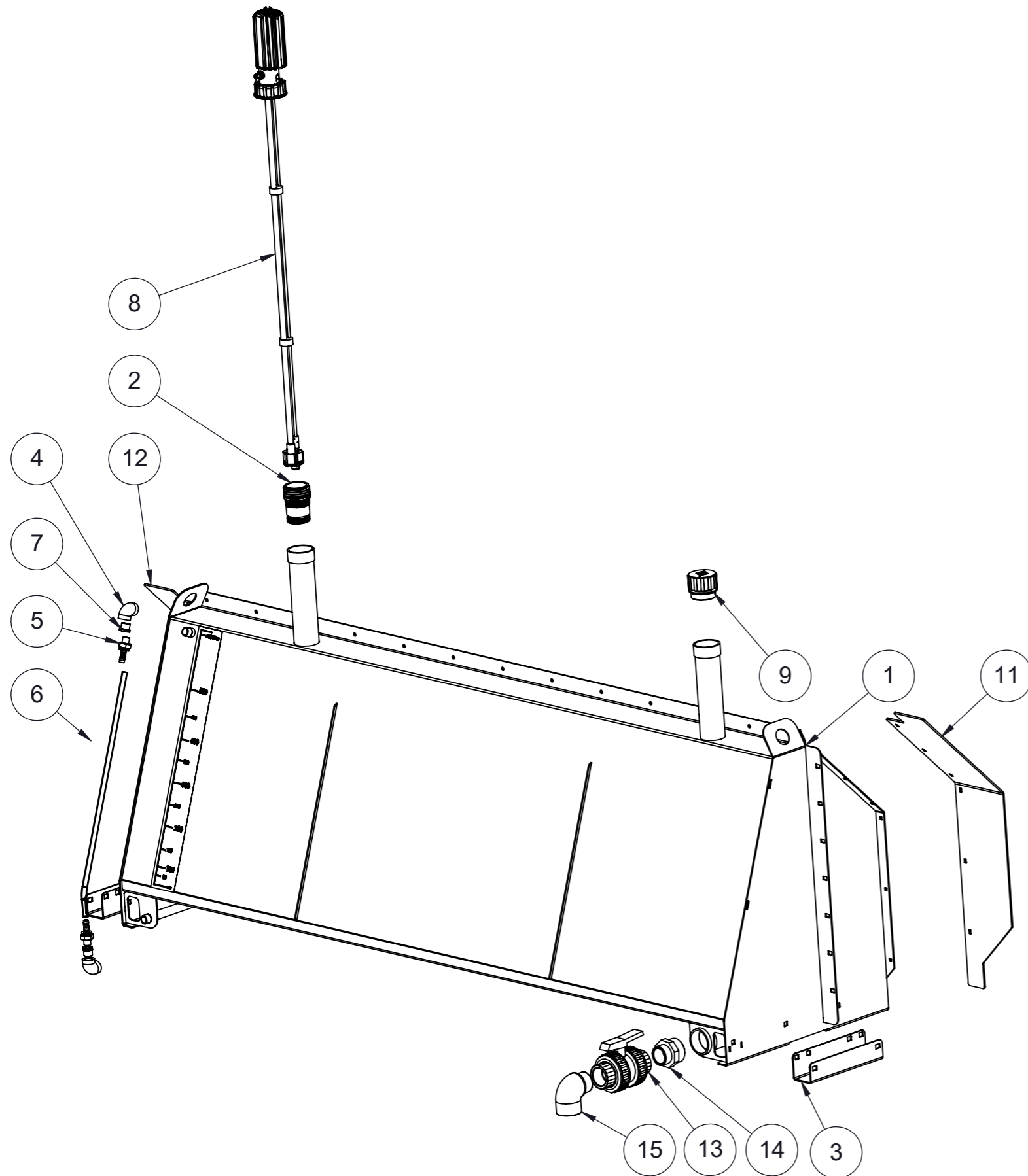


Material:	Thickness:	Surface treatment:	
Tolerance not specified according to: NS-EN 1430:2009.	Sheet scale: 1:20	Drawing number: 31755	Revision: T4
Designed by: Helge	06.11.2025	Weight 62 Kg	Projection: A3
		Stryte montert	
Content in:	Project:	Replaced by:	

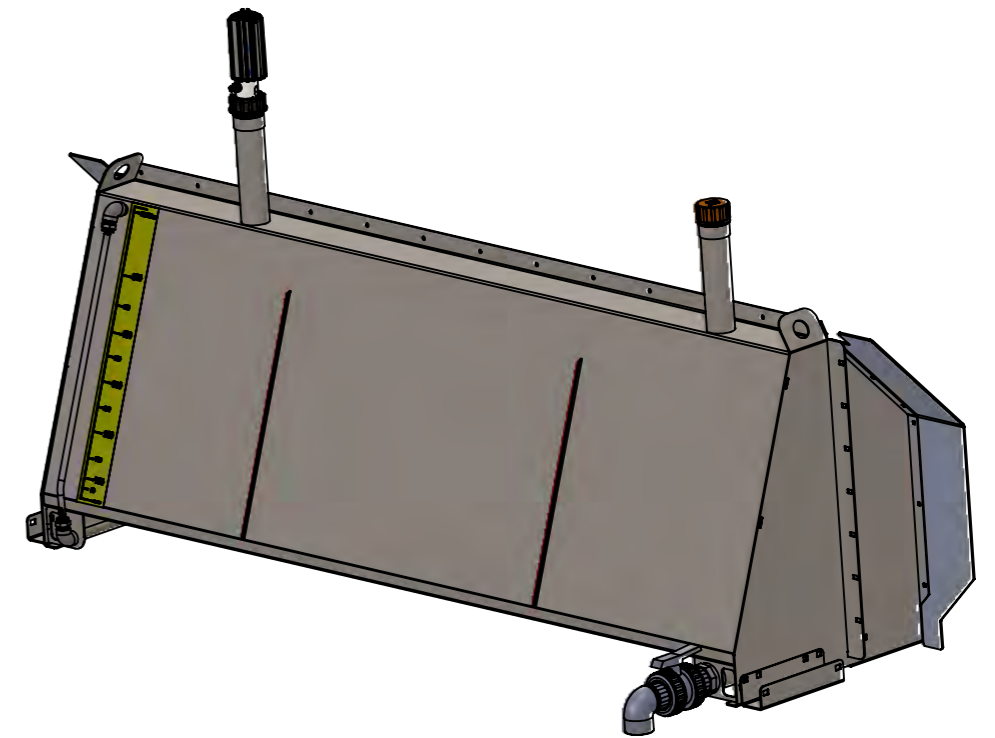



ITEM NO.	PART NUMBER	DESCRIPTION	QTY.
1	31800	Underkjørings bjelke sveist	2
2	31886	Plast profilplugg	2
3	31794	Underkjøringsvern m innfelt lys	1
4	31841	Varsel trekant reflex	2
5	31782	Festebrakett ramme	4
6	31573	Låsepinne	2
7	B18.22M - Plain washer, 20 mm, narrow		8
8	B18.2.3.2M - Formed hex screw, M20 x 2.5 x 40 -- 40WN		4
9	DIN EN ISO 7040 - M16 - N		4
10	31813	Øyebolt	2
11	31806	Ringpinne Ø 6	2
12	32529	LED Autolamps 211 LED baklykt	2
13	32570	13799 - Lumen Workforce S20 Ultimae	1
14	32362	Kamera VBV-71XC (2808B)(2841B)	1

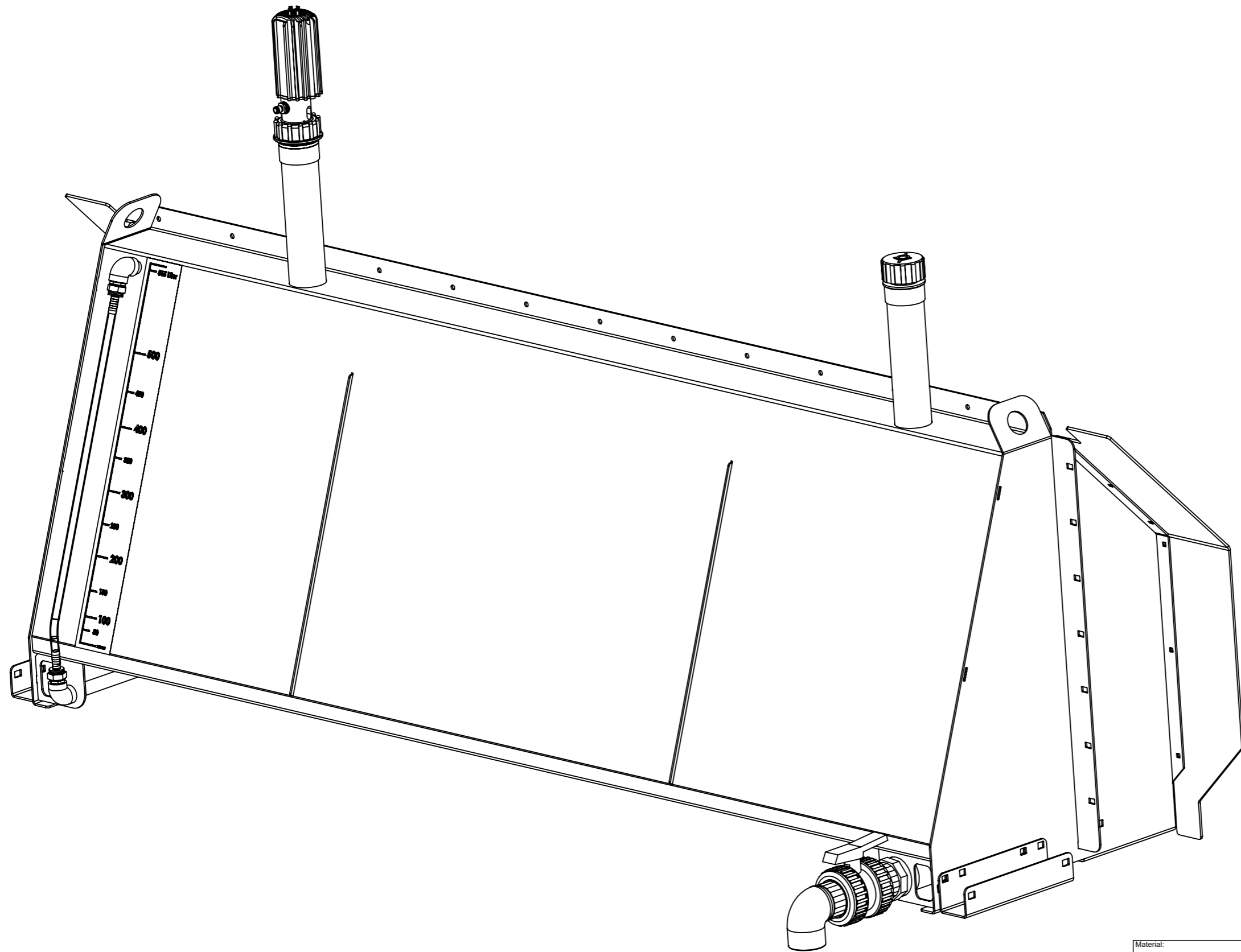
Material:		Thickness:	Surface treatment:	
Tolerance not specified according to: NS-EN 1430:2009.		Sheet scale:	Drawing number:	Revision:
Designed by: Helge		10.11.2025	31790	T3
Weight 58 Kg		Projection: A3	Underkjøringsvern montert	
Content in:	Project:	Replaced by:		




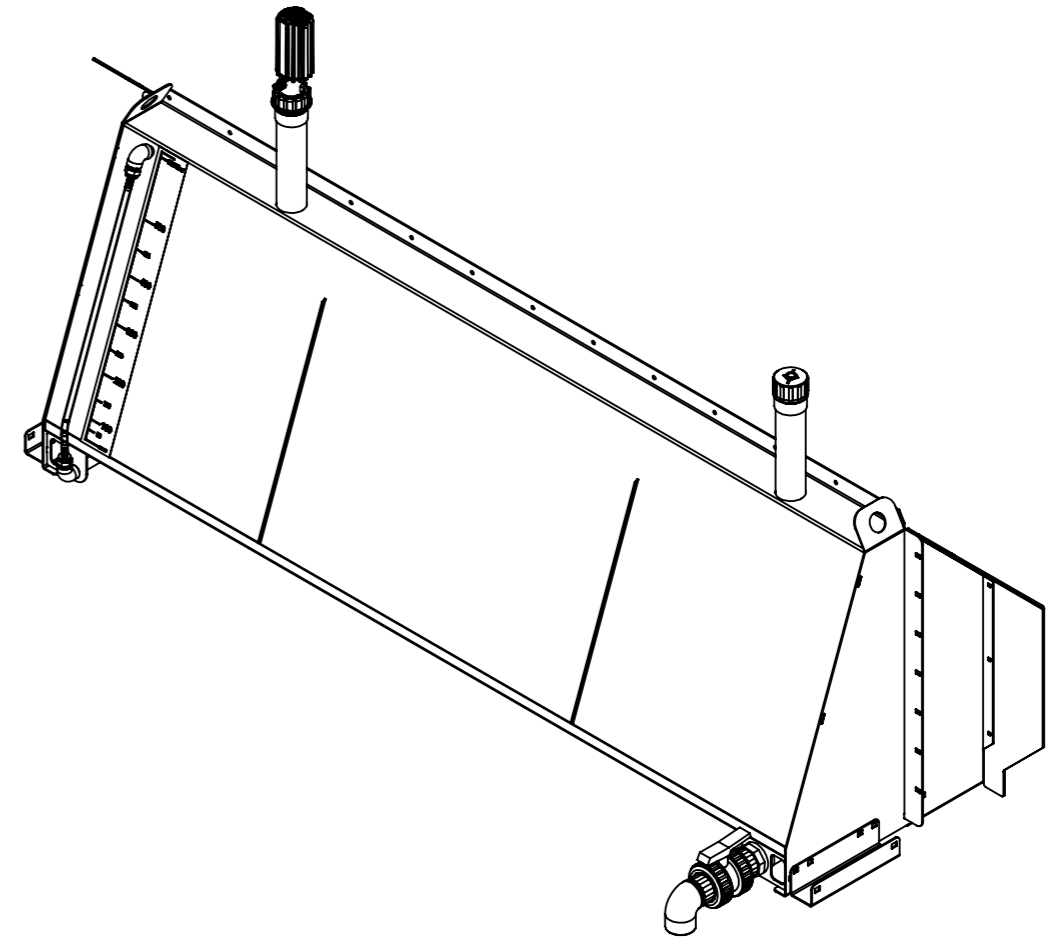
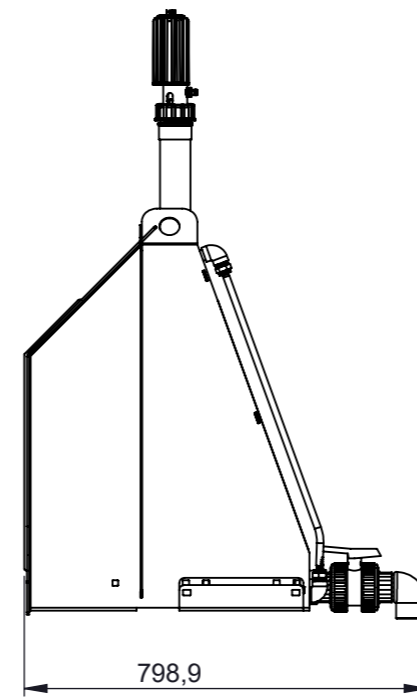
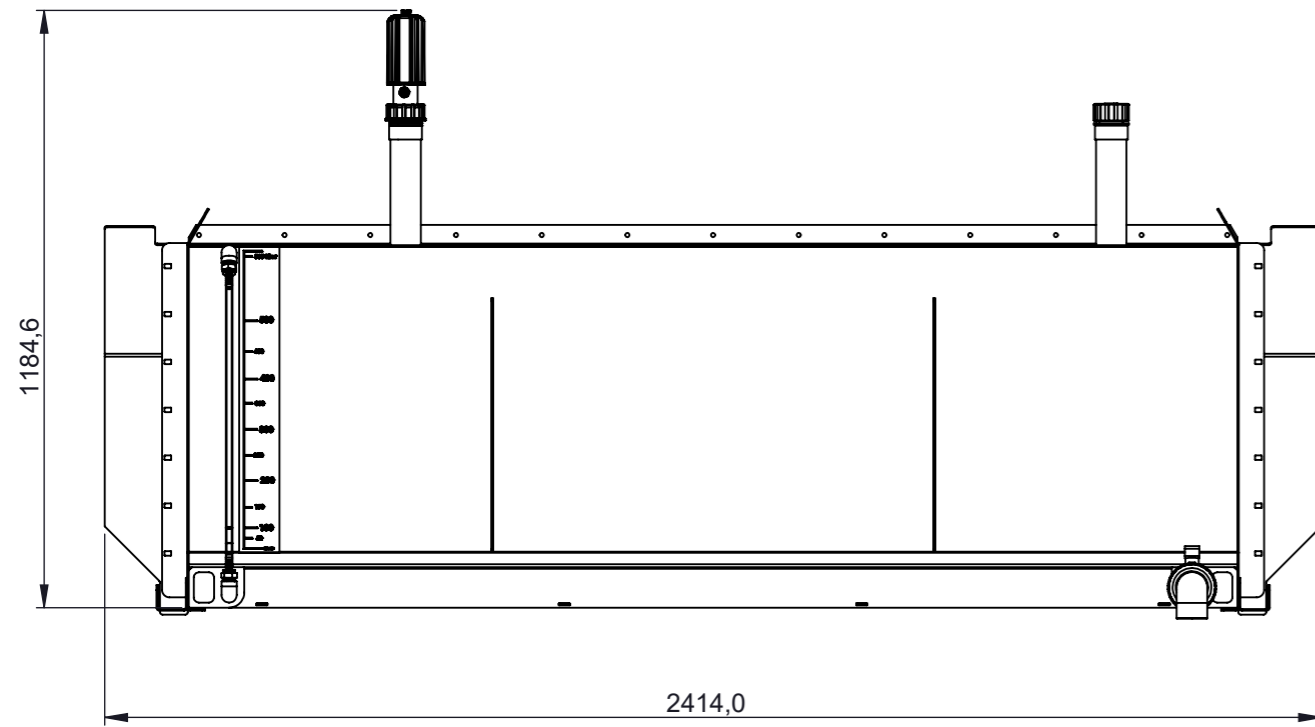
ITEM NO.	PART NUMBER	DESCRIPTION	QTY.
1	31855	Tank Sveist 505 Liter	1
2	297233	Overgang til container lokk	1
3	31862	Tankfeste	2
4	31867	VINKEL 90° BSPT 1/2-1/2 INNV/INNV A316	2
5	31868	SLANGENIPPEL BSPT UTV 3/8" - 3/8" SL.ST A316	2
6	31864	Plast syreslange 10mm	1
7	31892	RETT SKJØT BSPT 1/2-3/8 UTV/INNV BUSHING A316	2
8	110046	Komplett DP 2005 for fat	1
9	31871	Lokk med lufting	1
10	7996635	Liter etikkett RAL 1018 Gul 6005 Grønn	1
11	31703	Tetning H + V	1
12	31703 Speilvendt	Tetning H + V	1
13	32811	CEPEX UP. 60ST. Code: 36515	1
14	32812	CEPEX UP.33. MT Code: 02315	1
15	32813	CEPEX UP. 29 SMT Code: 02239	1



Material:		Thickness:	Surface treatment:	
Tolerance not specified according to: NS-EN 1430:2009.		Sheet scale:	Drawing number:	Revision:
Designed by: Helge		04.11.2025	1:50	31860
Weight		Projection: A3	T3	
			Syretank montert	
Content in:		Project:	Replaced by:	

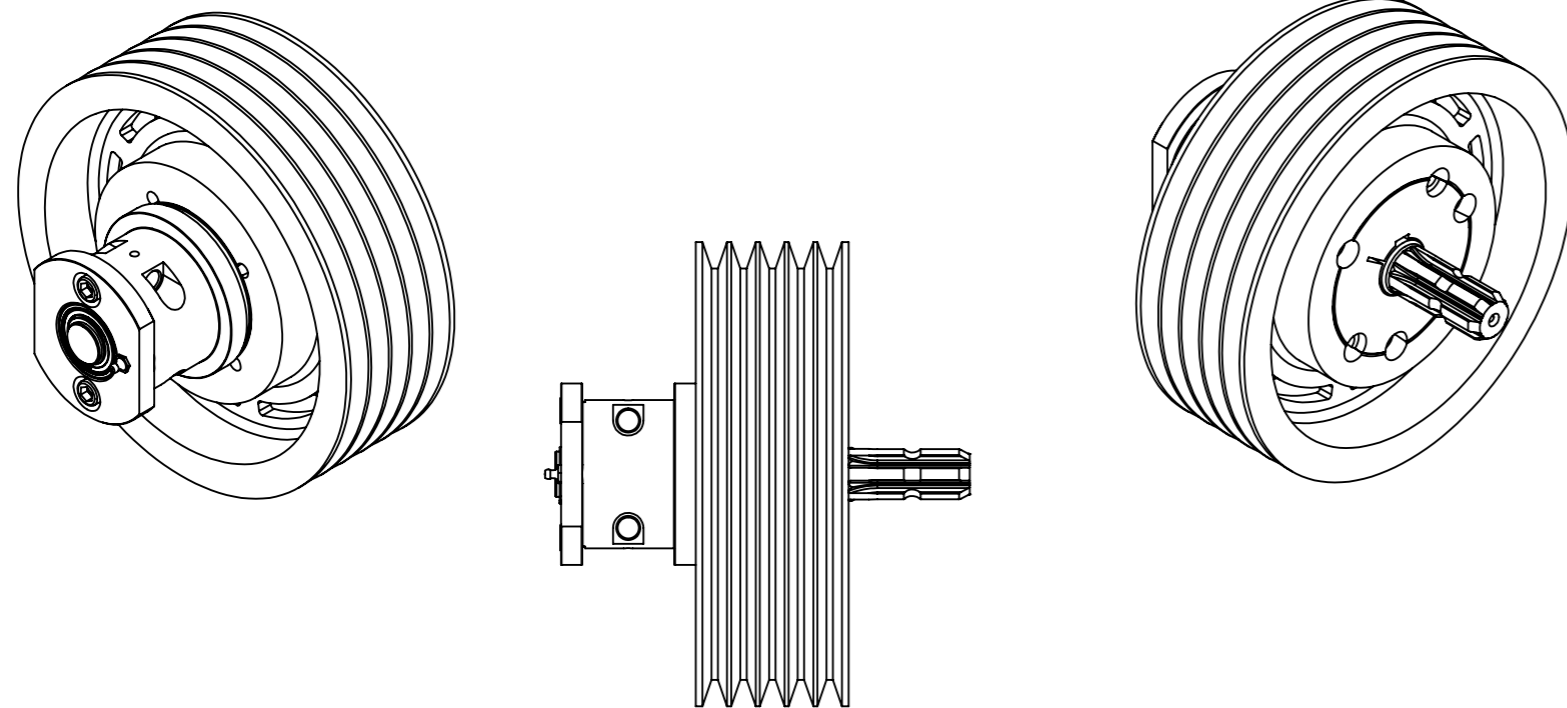


Material:		Thickness:	Surface treatment:	
Tolerance not specified according to: NS-1430:		Sheet scale:	Drawing number:	Revision:
Designed by: 04.11.2025		1:50	31860	T3
Helge	Weight	Projection: A3	Syretank montert	
				
Content in:	Project:	Replaced by:		

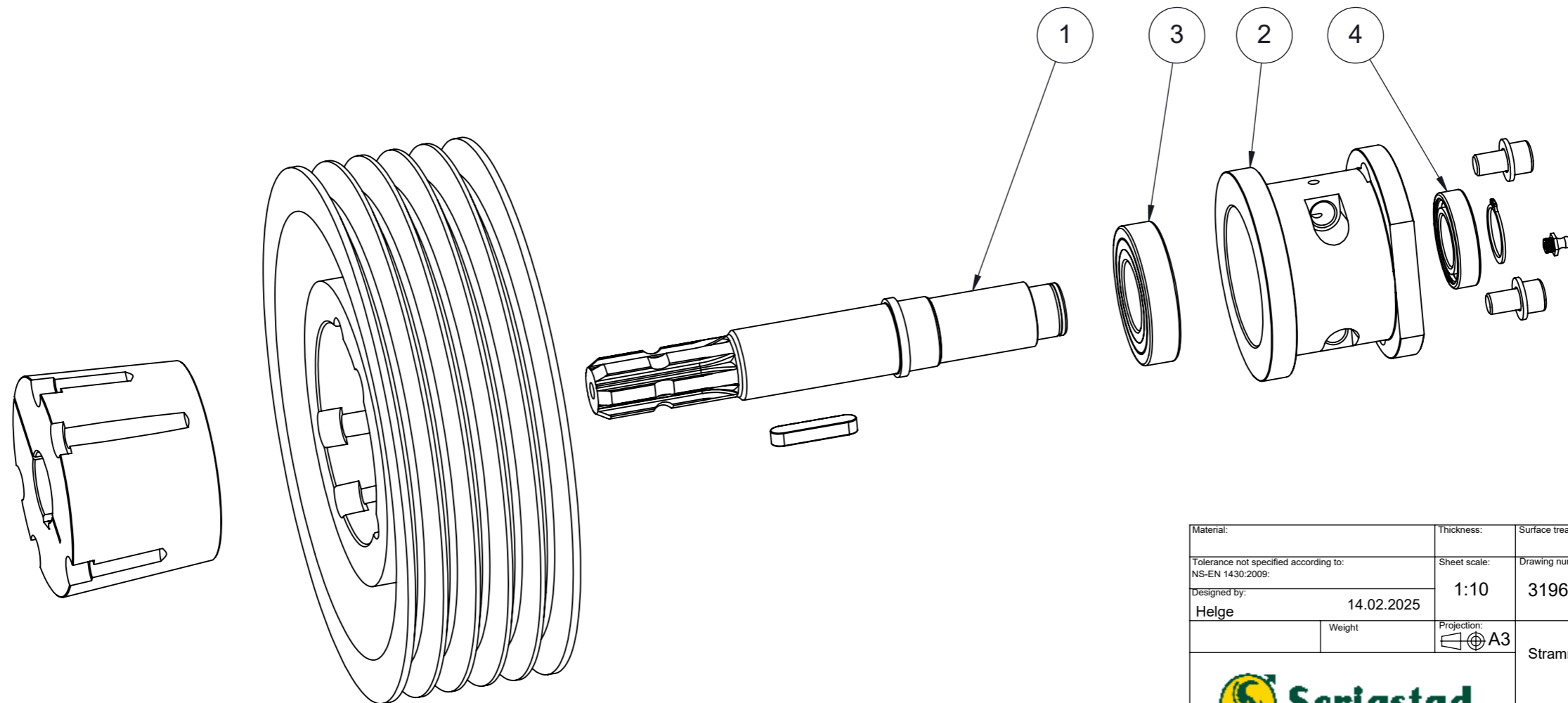



Material:		Thickness:	Surface treatment:	
Tolerance not specified according to: NS-1430:		Sheet scale:	Drawing number:	Revision:
Designed by: 04.11.2025		1:50	31860	T3
Helge	Weight	Projection: A3	Syretank montert	
Content in:		Project:	Replaced by:	

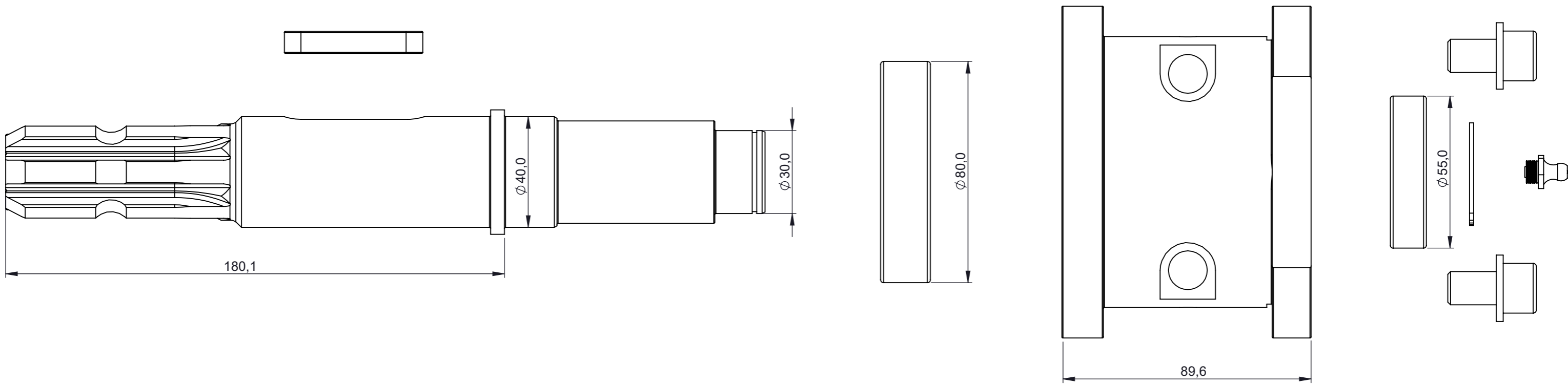




ITEM NO.	PART NUMBER	DESCRIPTION	QTY.
1	31962	Spleinaksel for strammelager	1
2	31961	Boss for stramming	1
3	970708	Kulelager 6208-Z	1
4	971010	Kulelager 6006-Z	1
5	31964	Taper bush 29353540	1
6	31506	A7-5SPB300-3535	1
7	961932	Smørenippel M8	1
8	Circlip DIN 471 - 30 x 1.5		1
9	Parallel key A12 x 8 x 50 DIN 6885		1
10	Washer DIN 125 - A 13 - 300HV		2
11	EN ISO 4762 M12 x 20 - 20N		2

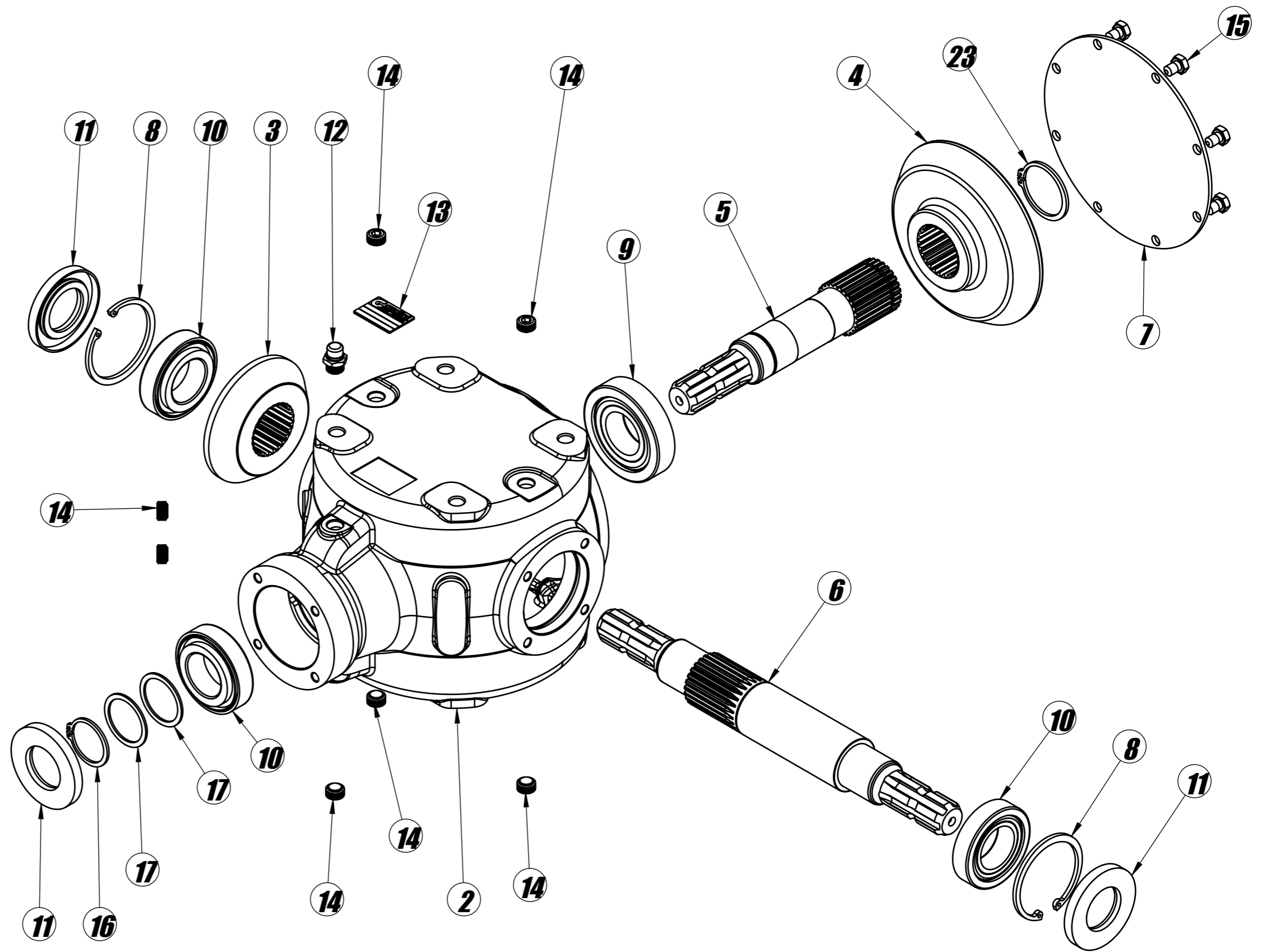


Material:		Thickness:	Surface treatment:	
Tolerance not specified according to: NS-EN 1430:2009.		Sheet scale:	Drawing number:	Revision:
Designed by: Helge		14.02.2025	1:10	31960
Weight		Projection: A3	Stramme drivenhet komplett	
				
Content in:	Project:	Test		Replaced by:



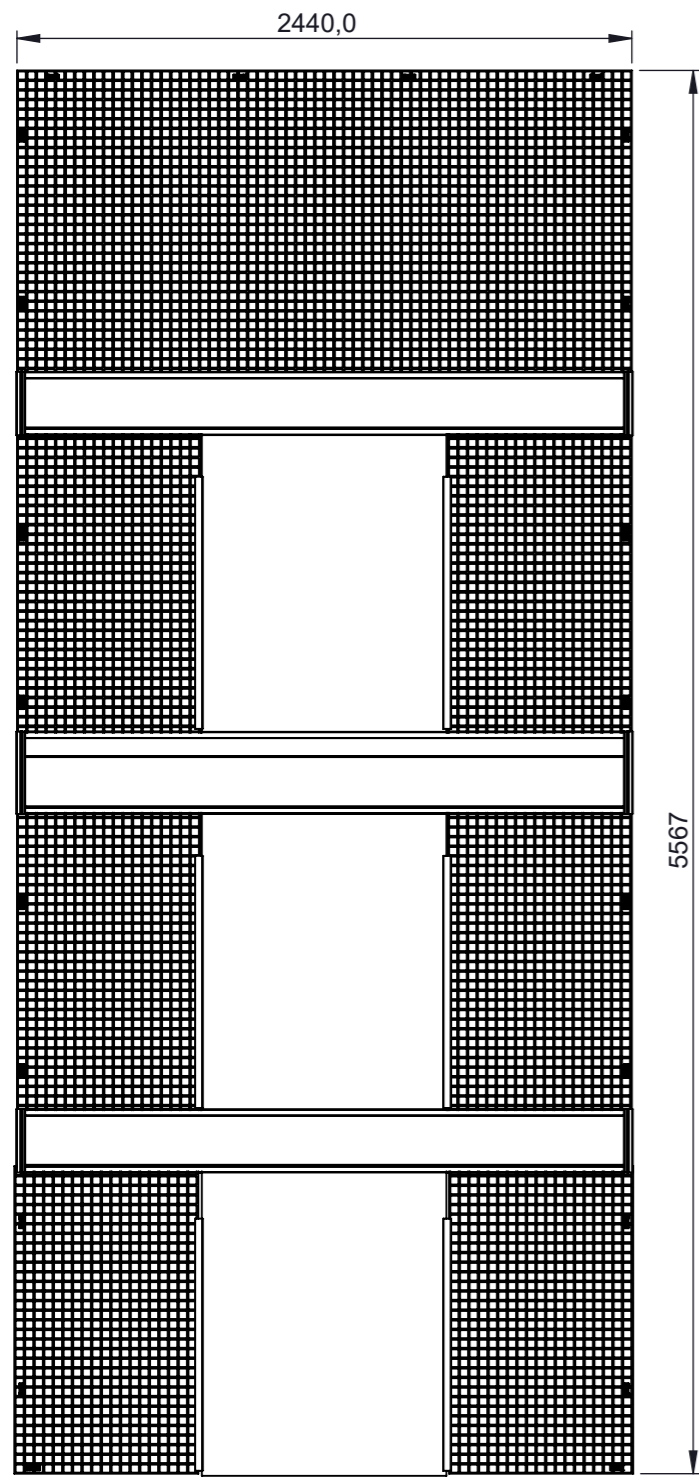
Mål for nødvendig verktøy i forbindelse med montering.

POS	COD.	QT.
2	139.CARCASSA	1
3	139.1,57P0	1
4	139.1,57C1	1
5	139.ALBERO	1
6	139.ALBERO#7	1
7	139.COPERCHIO	1
8	UNI7438-I-85	2
9	30309	1
10	32209	3
11	NBR-SC-45-85-10	3
12	3-8GAS-30A-CON	1
13	TARGHETTA-GT	1
14	3-8GAS-NPTF	7
15	UNI5739-M10x15-10.9-Z	8
16	UNI7436-E-45	1
17	DIN988PS-45x55x2	2
18	RAM85-.2	1
19	RAM85-.3	1
20	RAM100-.2	1
21	RAM100-.3	1
22	PF-38R	1
23	UNI7436-E-55	1

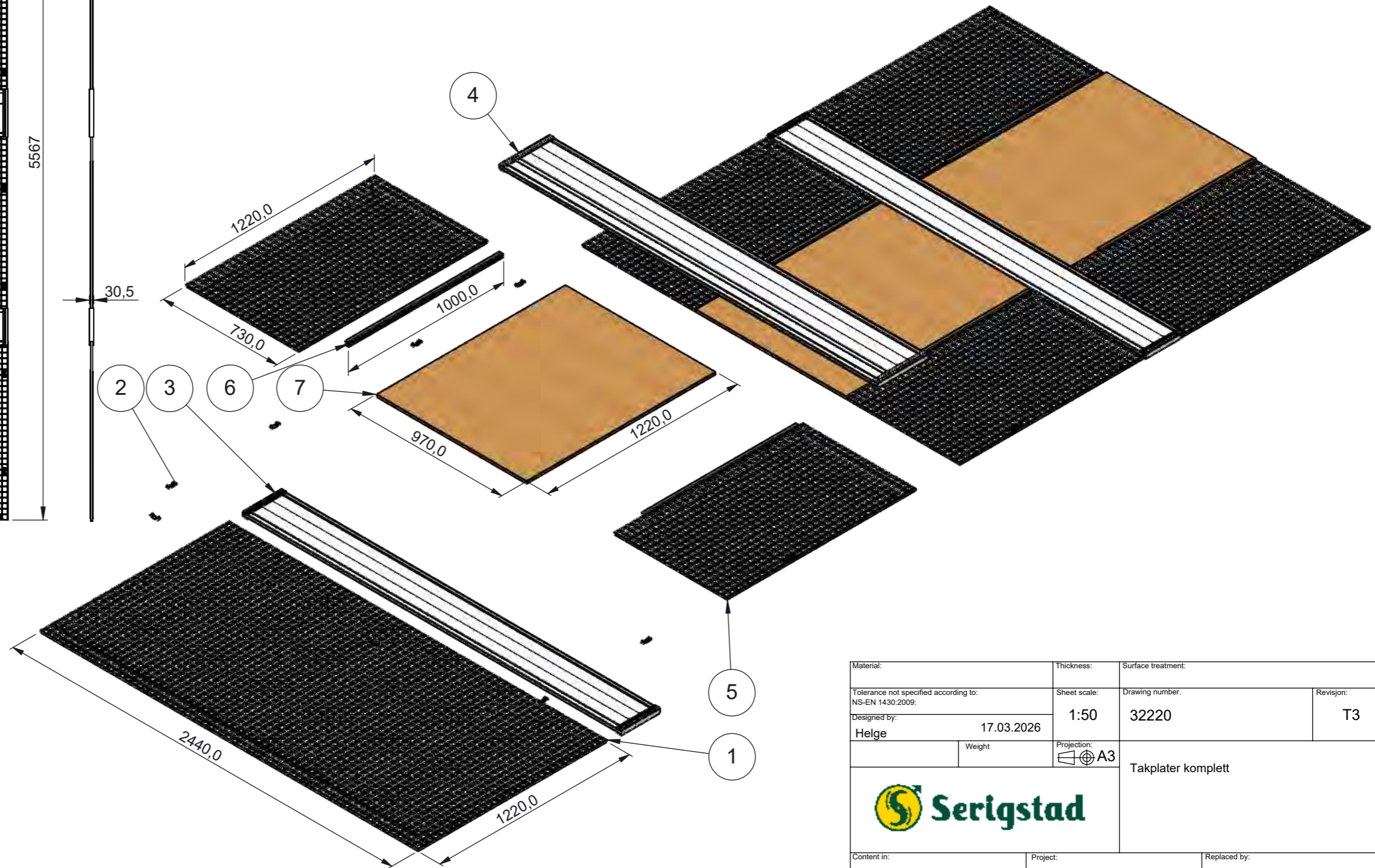


ratio transmission 1:1,57	input RPM 1000	input rotation CCW counterCW	input power HP 220	input power KW 160	input torque N.M 1540	output torque N.M 980
--	---------------------------------	---	-------------------------------------	-------------------------------------	--	--

Gardini TECHNIK <small>PROPIETA' RISERVATA AI TERMINI DI LEGGE</small>	Recommended Oil Type SAE 80W/90 GL5				internal code WG125#9		
	description code WG125UB1,57WWWB5+RAL9011(WG125#9)				group WG125	application	
	date 06/05/2025	designer gardini	weight KG 50	oil quantity	customer code	customer	scale 1:4

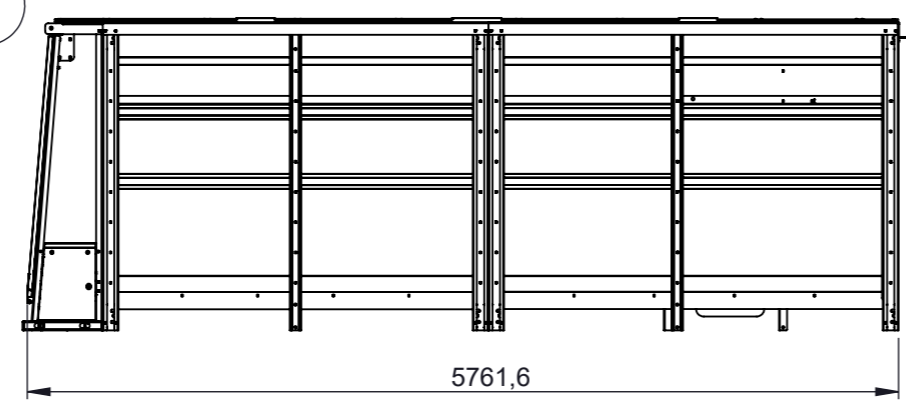
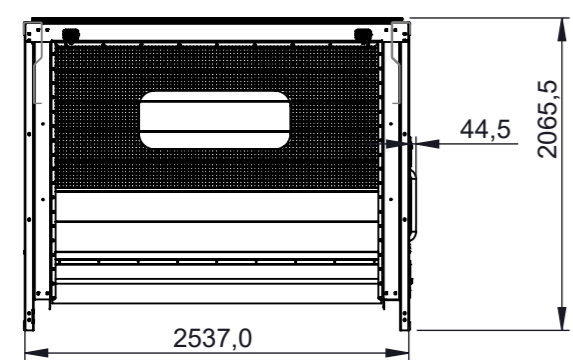
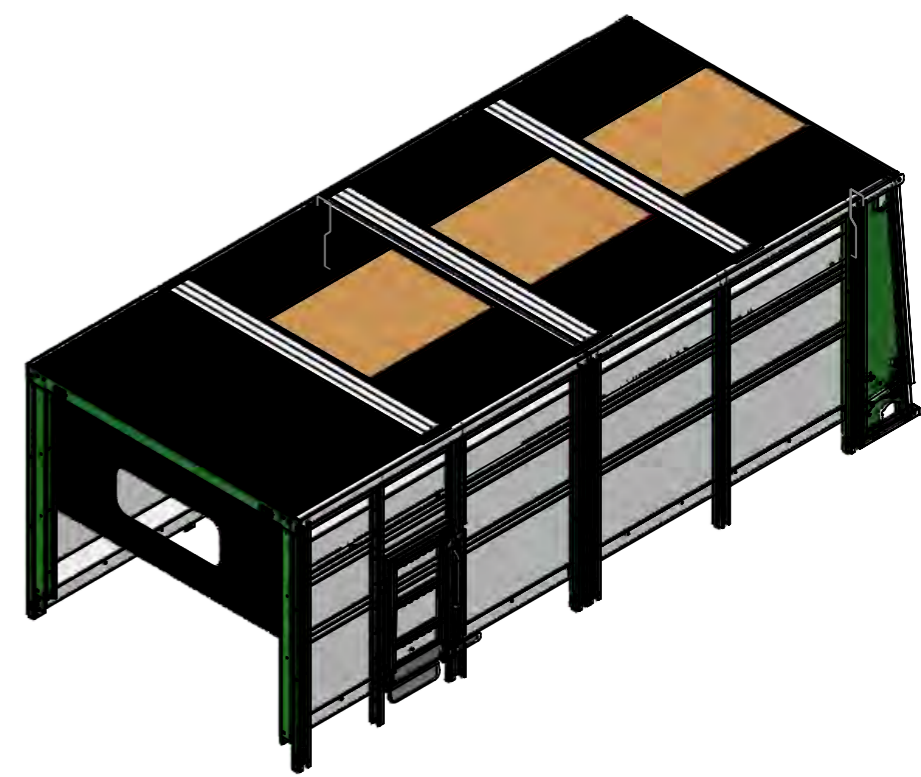
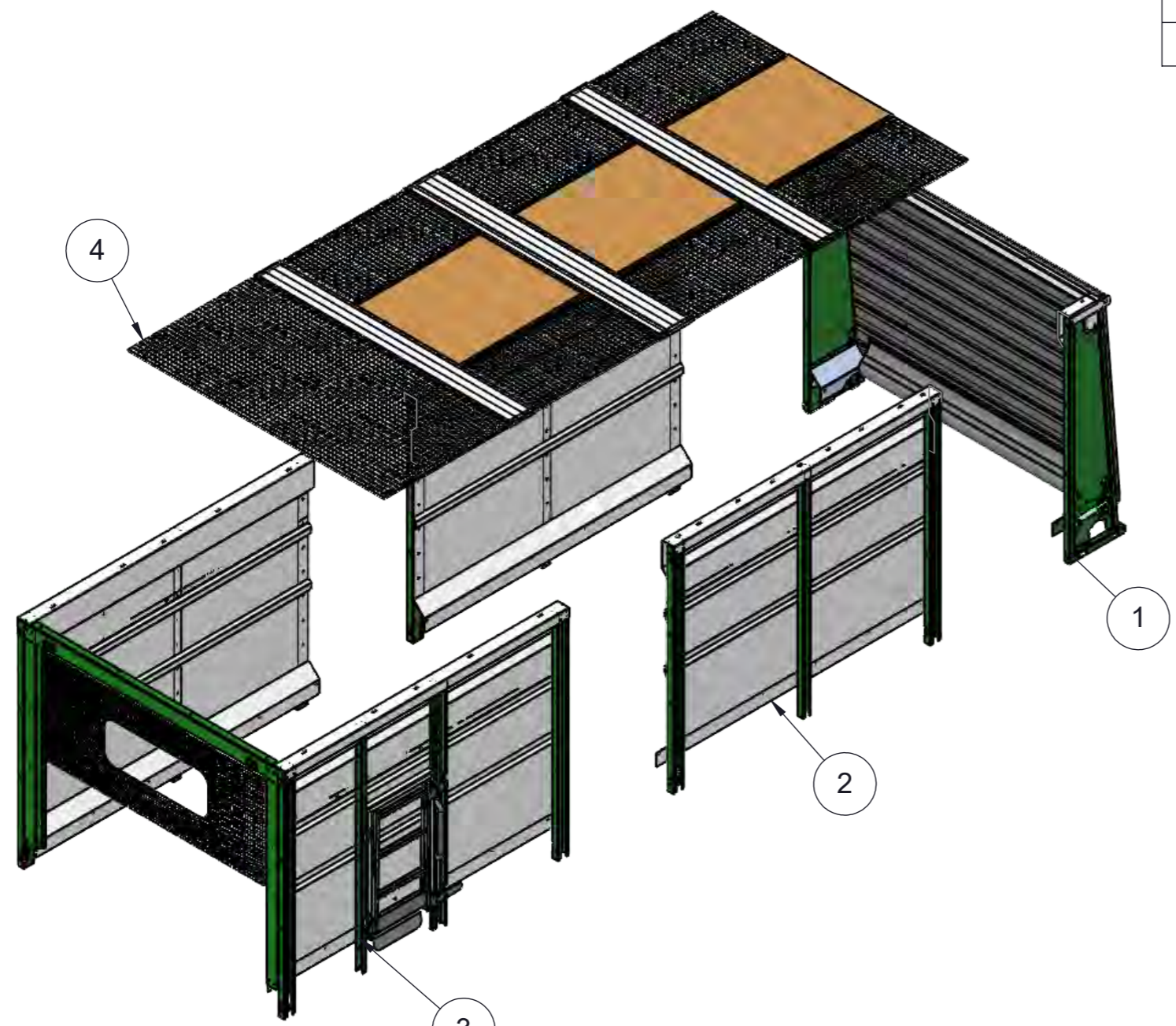


ITEM NO.	PART NUMBER	DESCRIPTION	QTY.
1	32216	GRP 38X38 2440X1220X13mm Grey	1
2	32107	Klammer f. rist	22
3	32385	Takprofil 252 komplett	2
4	32380	Takprofil 327 komplett	1
5	32219	GRP 38X38 730X1220X13mm Grey	6
6	32911	Alu H - Profil	6
7	32912	Vannfast finerplate tak	3



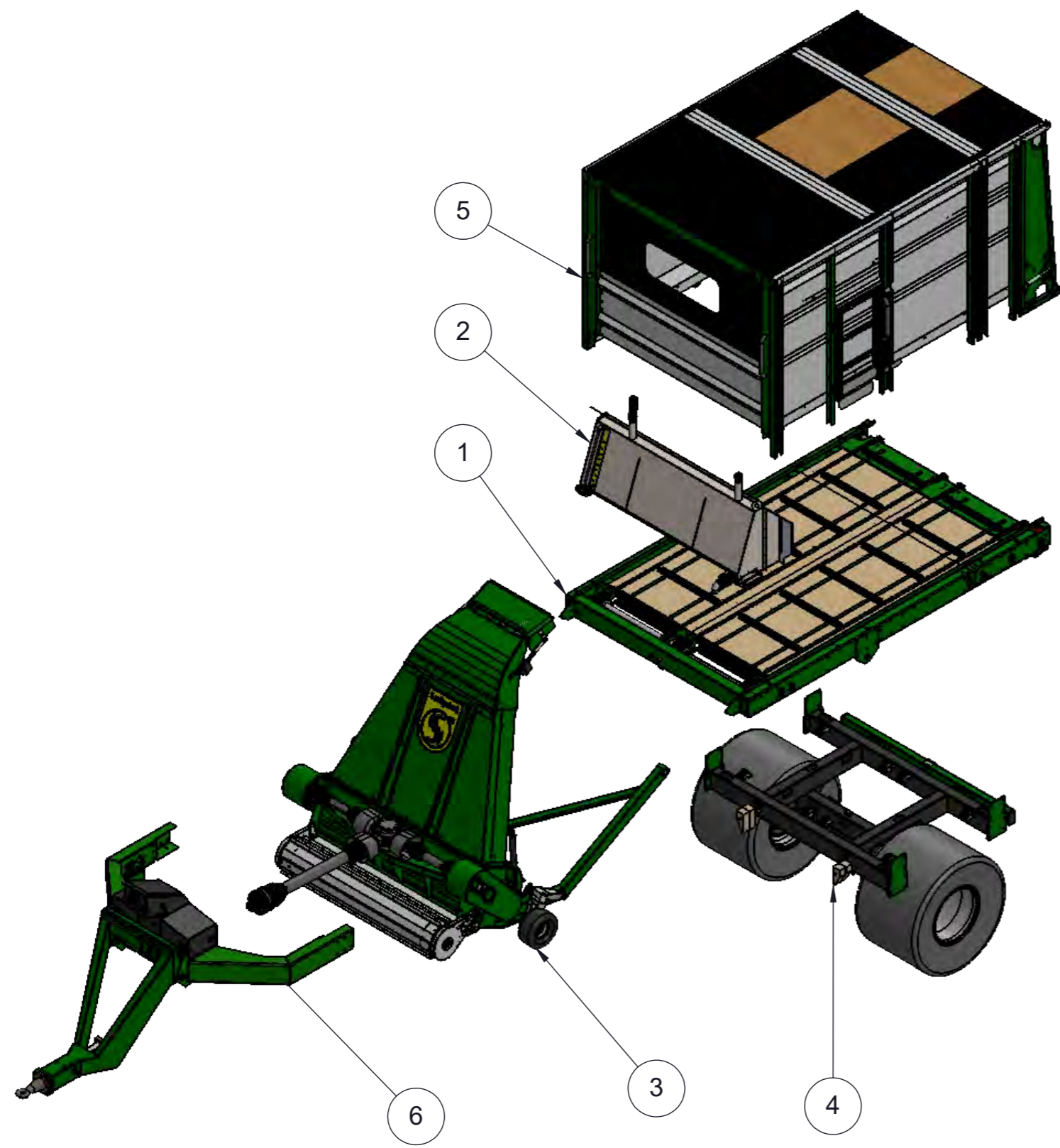
Material:		Thickness:	Surface treatment:	
Tolerance not specified according to: NS-EN 1430:2009.		Sheet scale:	Drawing number:	Revision:
Designed by: Helge		17.03.2026	32220	T3
Weight	Projection:	A3		
		Takplater komplett		
		Content in:	Project:	Replaced by:

ITEM NO.	PART NUMBER	DESCRIPTION	QTY.
1	31605	Bakluke seksjon monterert	1
2	31455	Bakre karmsett	1
3	31485	Front karmsett	1
4	32220	Takplater komplett	1



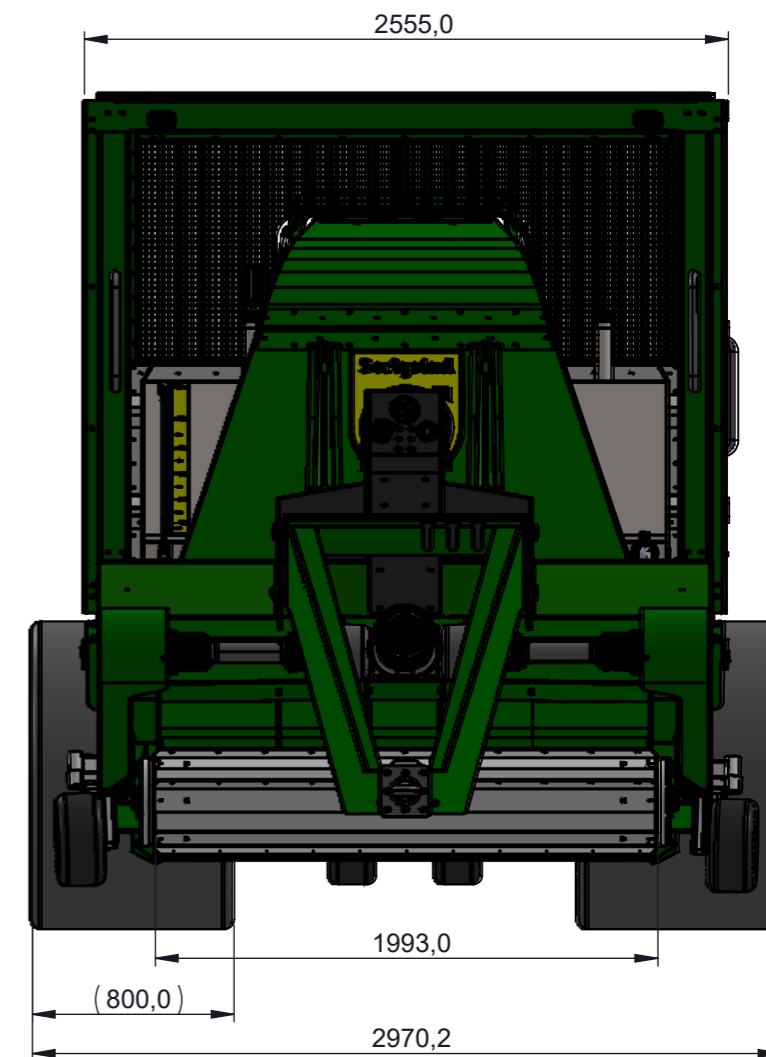
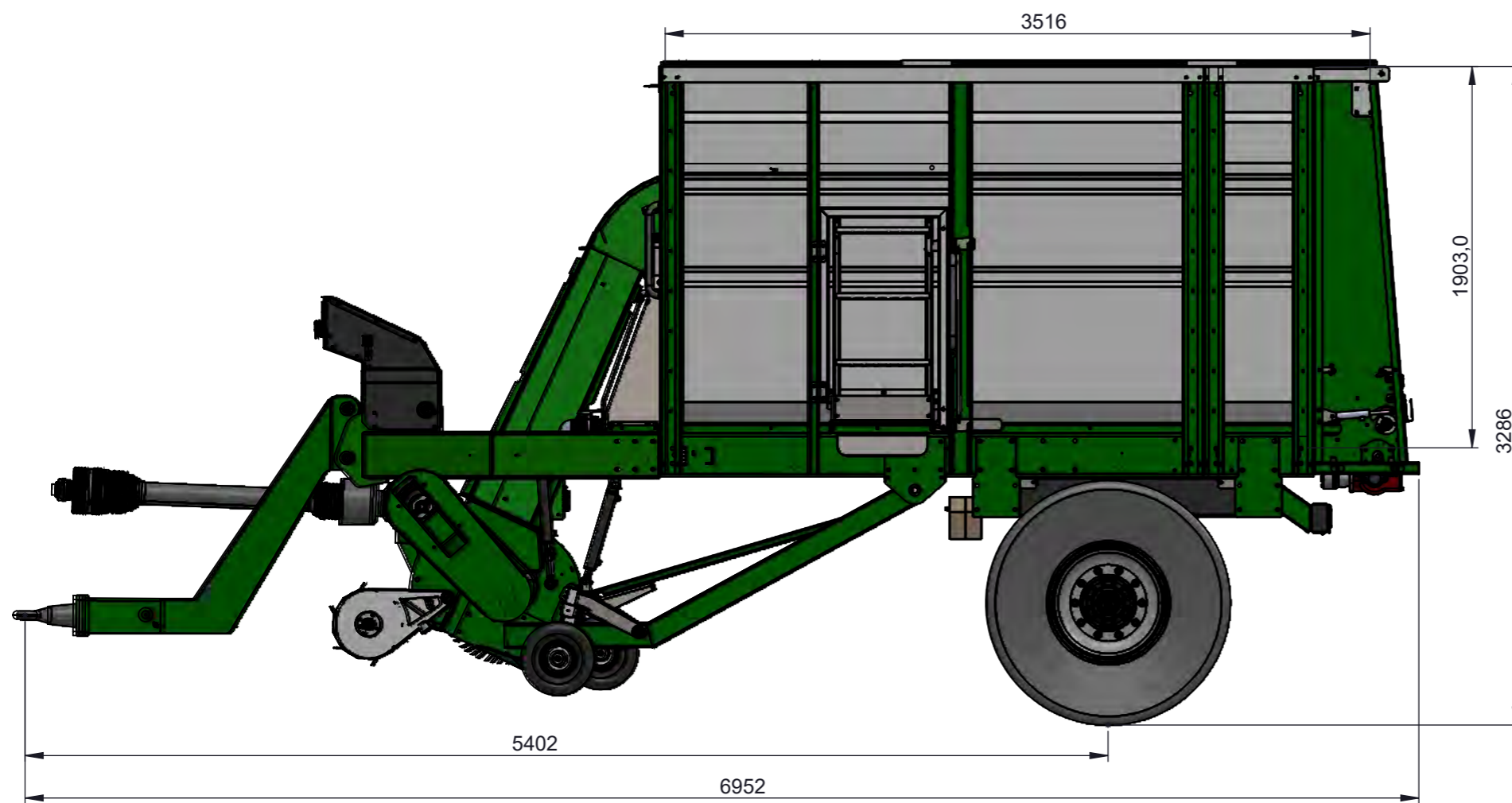
Material:	Thickness:	Surface treatment:	
Tolerance not specified according to: NS-EN 1430:2009.	Sheet scale:	Drawing number:	Revision:
Designed by: Helge	04.02.2026	32300	T2
Weight	Projection: A3	Overbygg 25 kubikk	
Content in:	Project:	Replaced by:	

ITEM NO.	PART NUMBER	DESCRIPTION	QTY.
1	32410	Bunnramme kort monterert	1
2	31860	Syretank monterert	1
3	31050	Proessor monterert	1
4	32450	Understell enkelakslet monterert	1
5	32440	Overbygg 17 kubikk	1
6	32970	Drag og ramme monterert	1



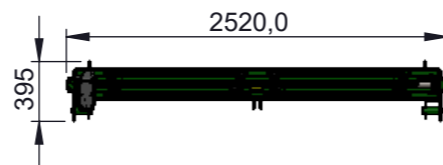
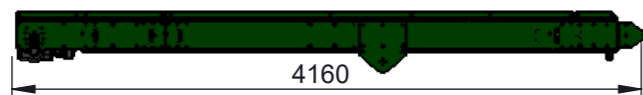
Material:		Thickness:	Surface treatment:	
Tolerance not specified according to: NS-EN 1430:2009.		Sheet scale:	Drawing number:	Revision:
Designed by: Helge		17.03.2026	1:100	32400
Weight 4.250 Kg		Projection: A3	Fønix Multikutter 17	
Content in:		Project:	Replaced by:	



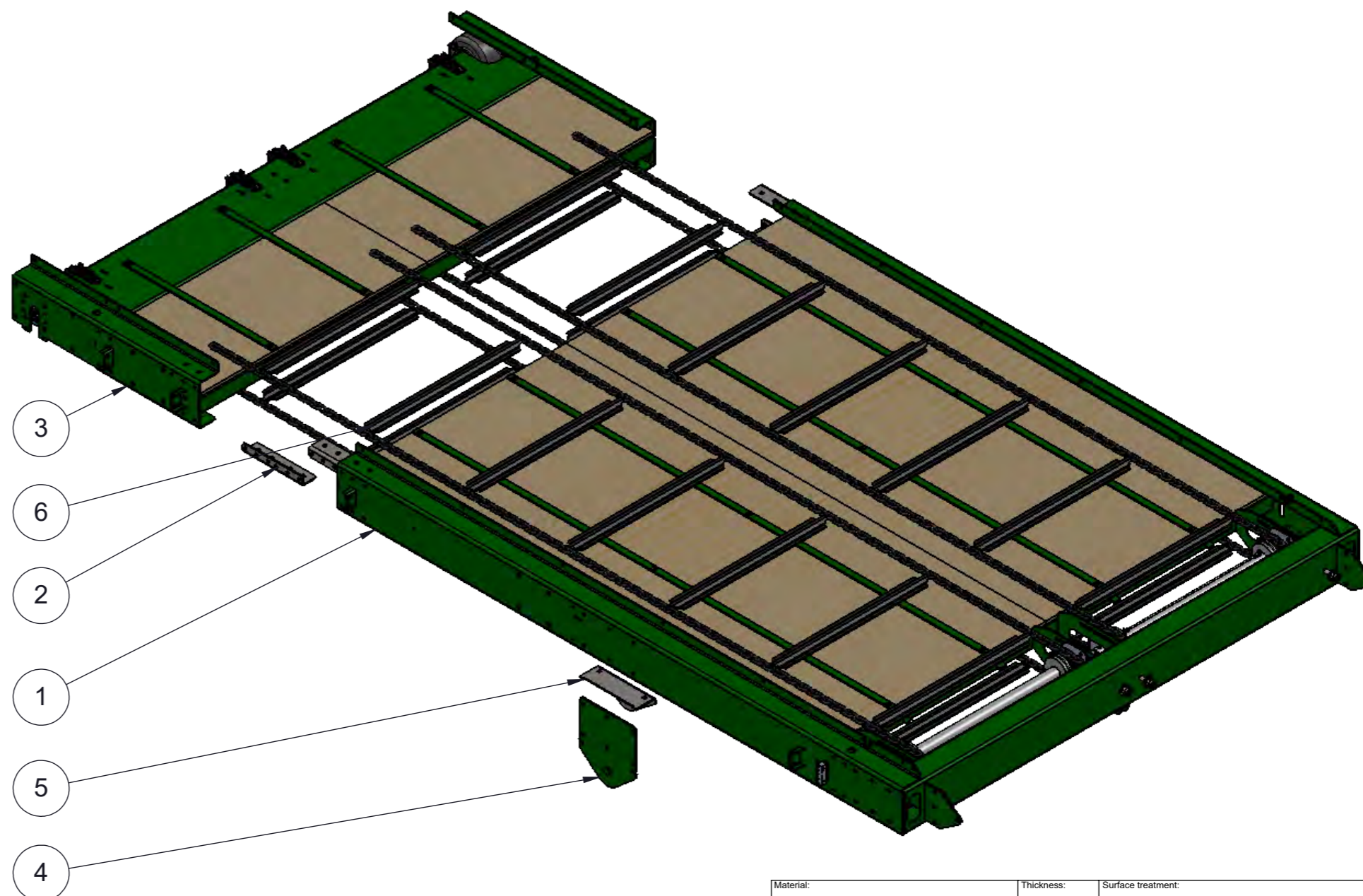
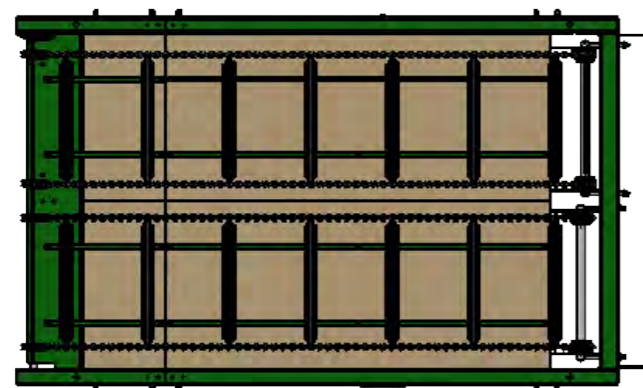


Material:		Thickness:	Surface treatment:	
Tolerance not specified according to: NS-EN 1430:2009.		Sheet scale:	Drawing number:	Revision:
Designed by: Helge		1:100	32400	T2
Weight 4.250 Kg		Projection: A3	Fønix Multikutter 17	
Content in:		Project:	Replaced by:	



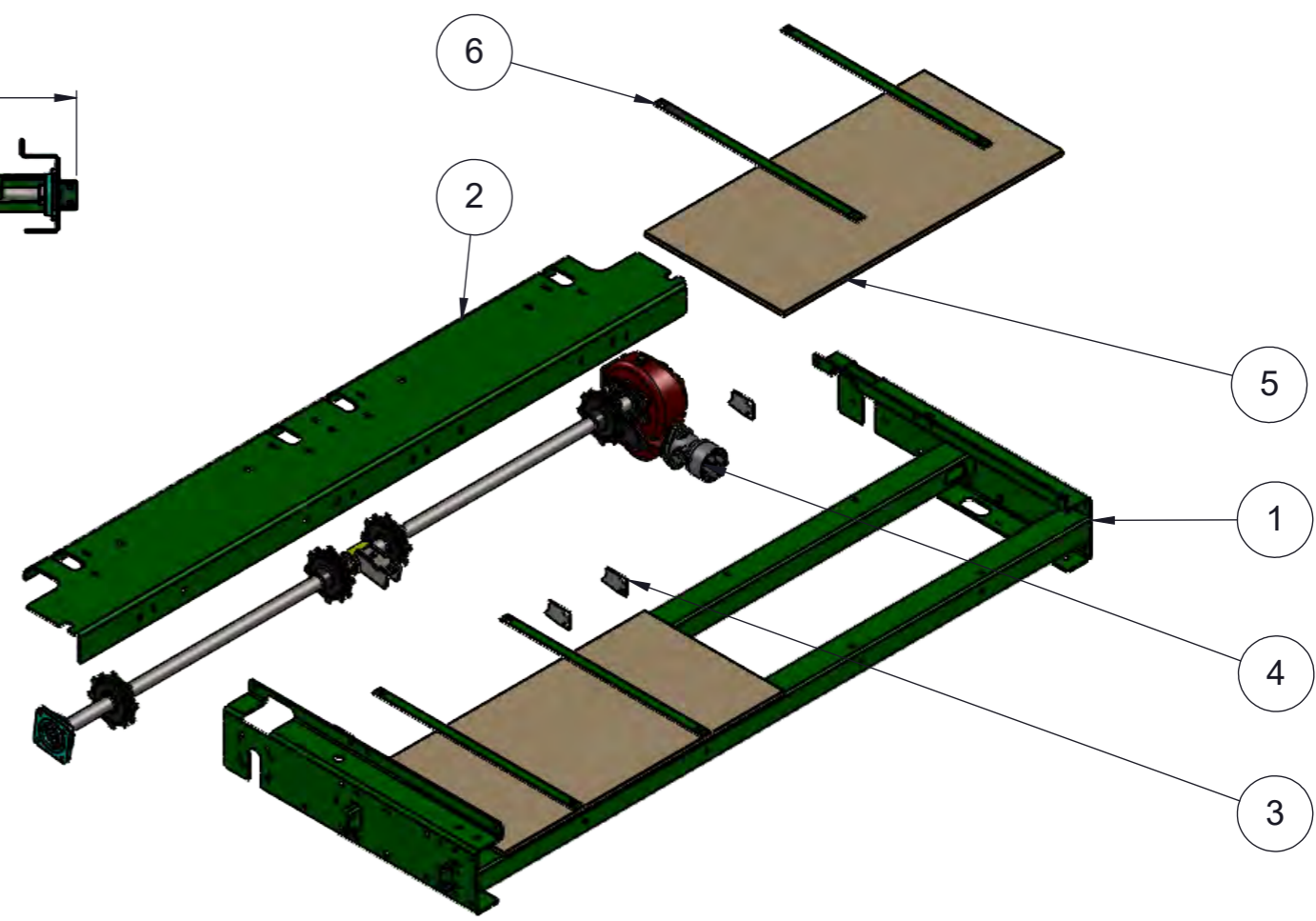
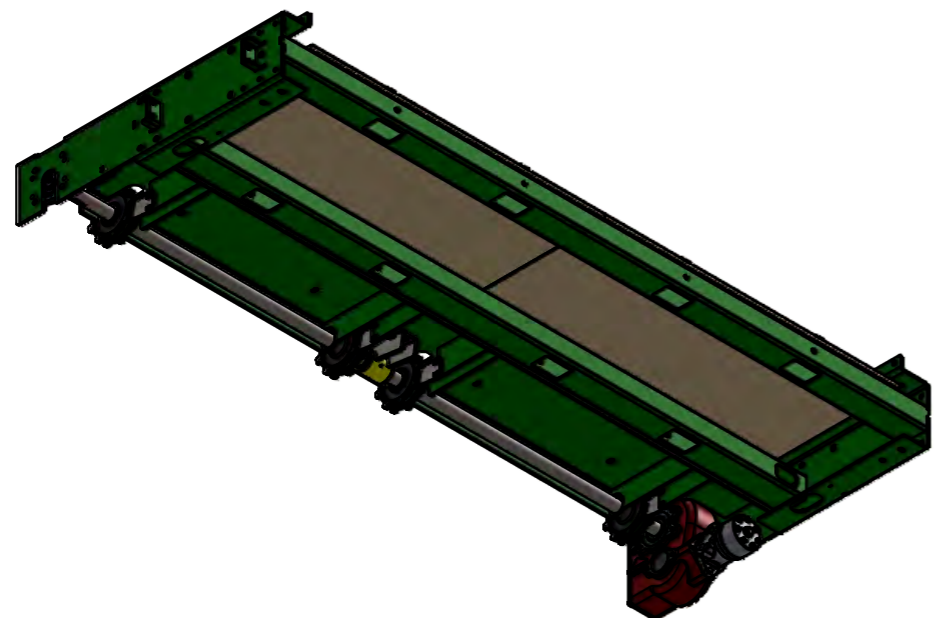
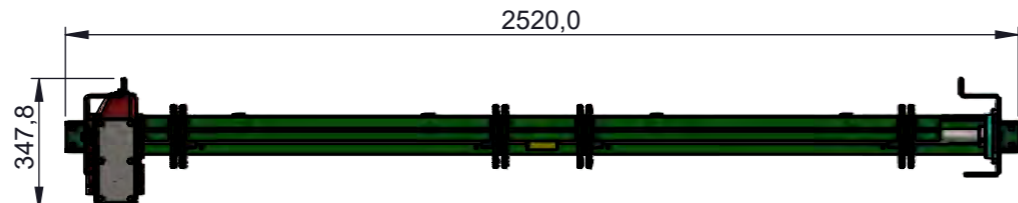
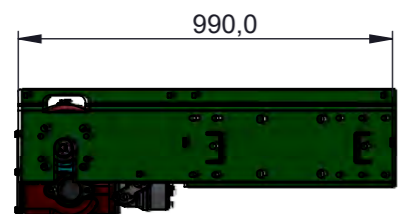


ITEM NO.	PART NUMBER	DESCRIPTION	QTY.
1	31435	Bunramme front montert	1
2	31361	Skjøtevinkel	4
3	32415	Bunnseksjon bakre montert	1
4	31375	Sveist svingfeste Prosessor	2
5	31372	Brakett svingarm støtte	2
6	19240	Sveist medbringer seksjon	8



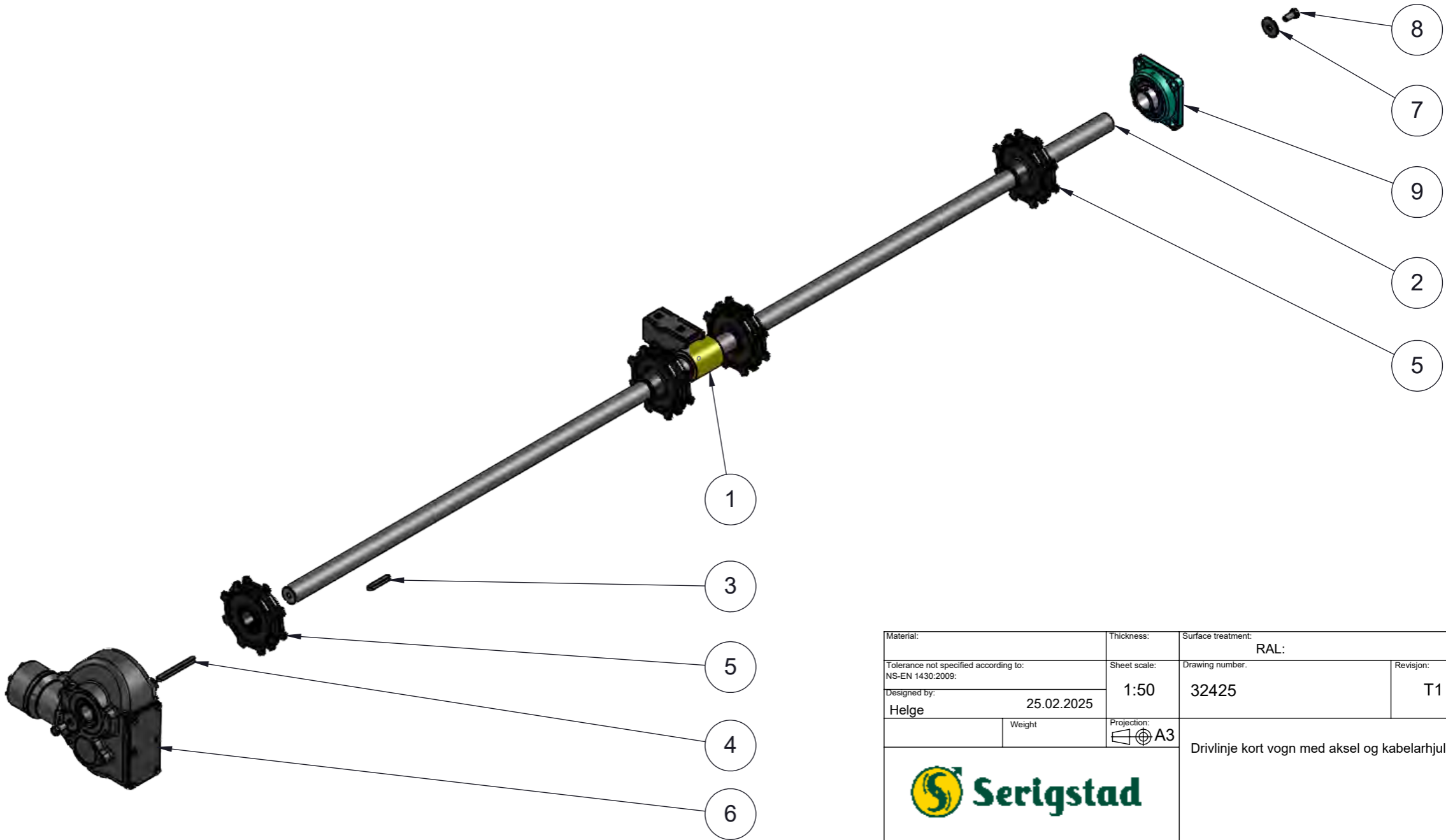
Material:	Thickness:	Surface treatment:	
Tolerance not specified according to: NS-EN 1430:2009.	Sheet scale: 1:50	Drawing number: 32410	Revisjon: T1
Designed by: Helge	25.02.2025	Weight 726 Kg	Projection: A3
		Bunramme kort montert	
		Content in:	Project:
		Replaced by:	

ITEM NO.	PART NUMBER	DESCRIPTION	QTY.
1	32420	Sveist bakre bunnseksjon kort	1
2	31420	Frontplate sveist	1
3	19182	Avskraper for kabelarhjul	4
4	32425	Drivlinje kort vogn med aksel og kabelarhjul	1
5	32427	Bunnplate vannfast 15 mm kort	2
6	32426	Slitelist kort for bakseksjon	4



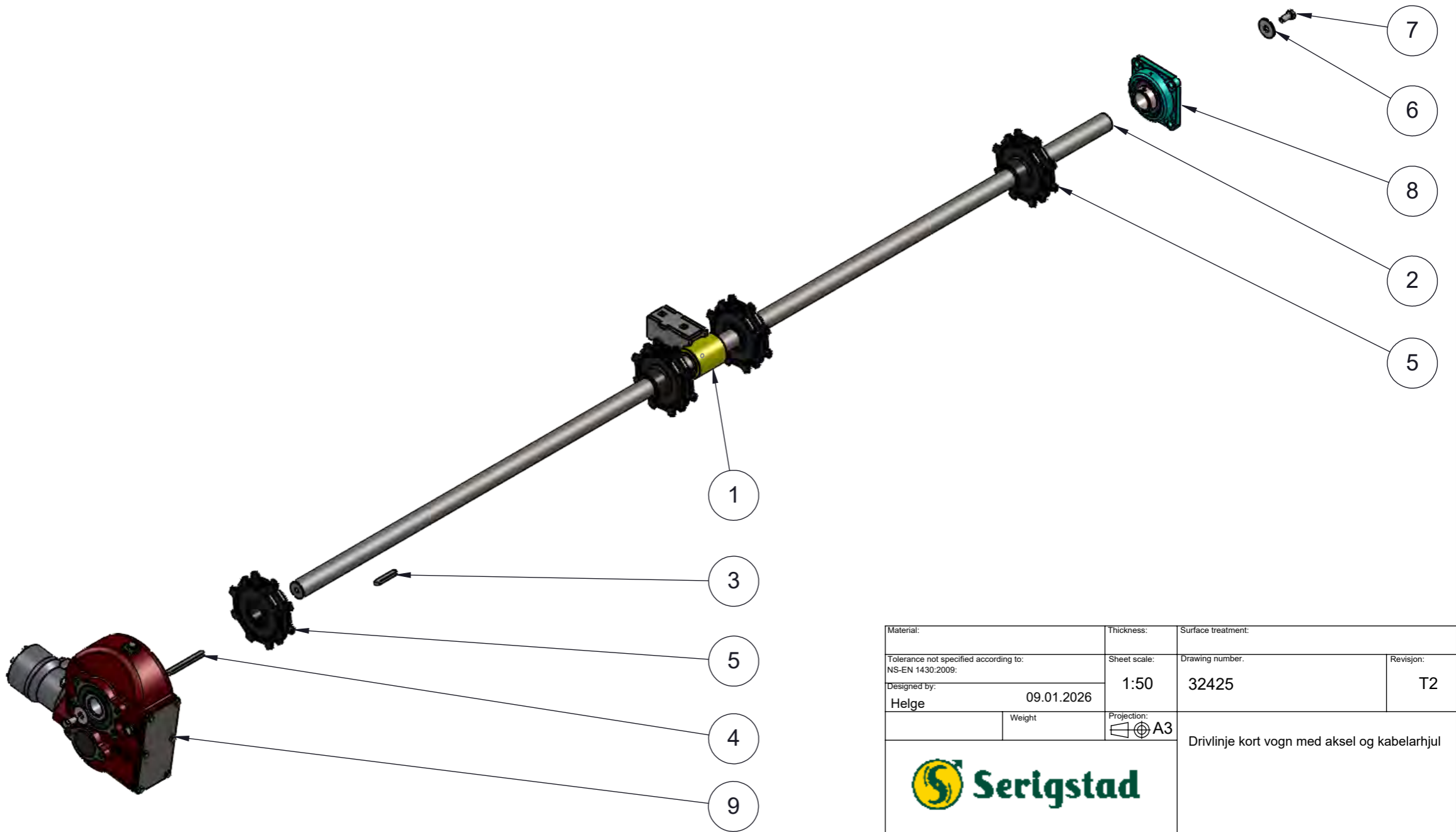
Material:	Thickness:	Surface treatment: RAL:	
Tolerance not specified according to: NS-EN 1430:2009.	Sheet scale: 1:50	Drawing number: 32415	Revisjon: T2
Designed by: Helge	08.01.2026	Projection: A3	Bunnseksjon bakre montert
Weight			
Content in:	Project:	Replaced by:	

ITEM NO.	PART NUMBER	DESCRIPTION	QTY.
1	19190	Lagerstøtte monteret	1
2	31371	Drivaksel for bunn lessevogn	1
3	Parallel key A12 x 8 x 63 DIN 6885		4
4	Parallel key A12 x 8 x 110 DIN 6885		1
5	19105	Kabelarhjul f. 40mm aksel Corr I Dur.	4
6	31535	RT 160 Drivenhet komplett	1
7	B18.22M - Plain washer, 12 mm, wide		2
8	B18.2.3.2M - Formed hex screw, M12 x 1.75 x 25 -- 25WN		2
9	17652	Flenslager UCF 208	1



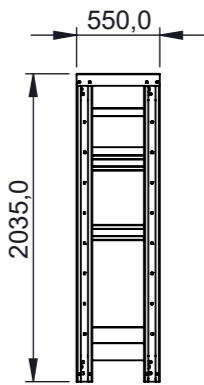
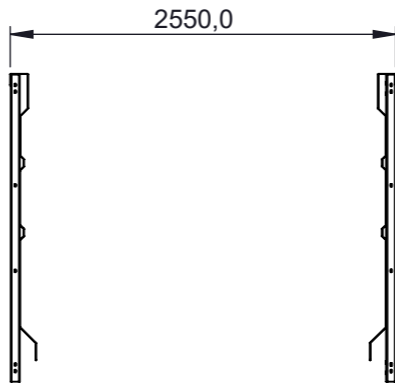
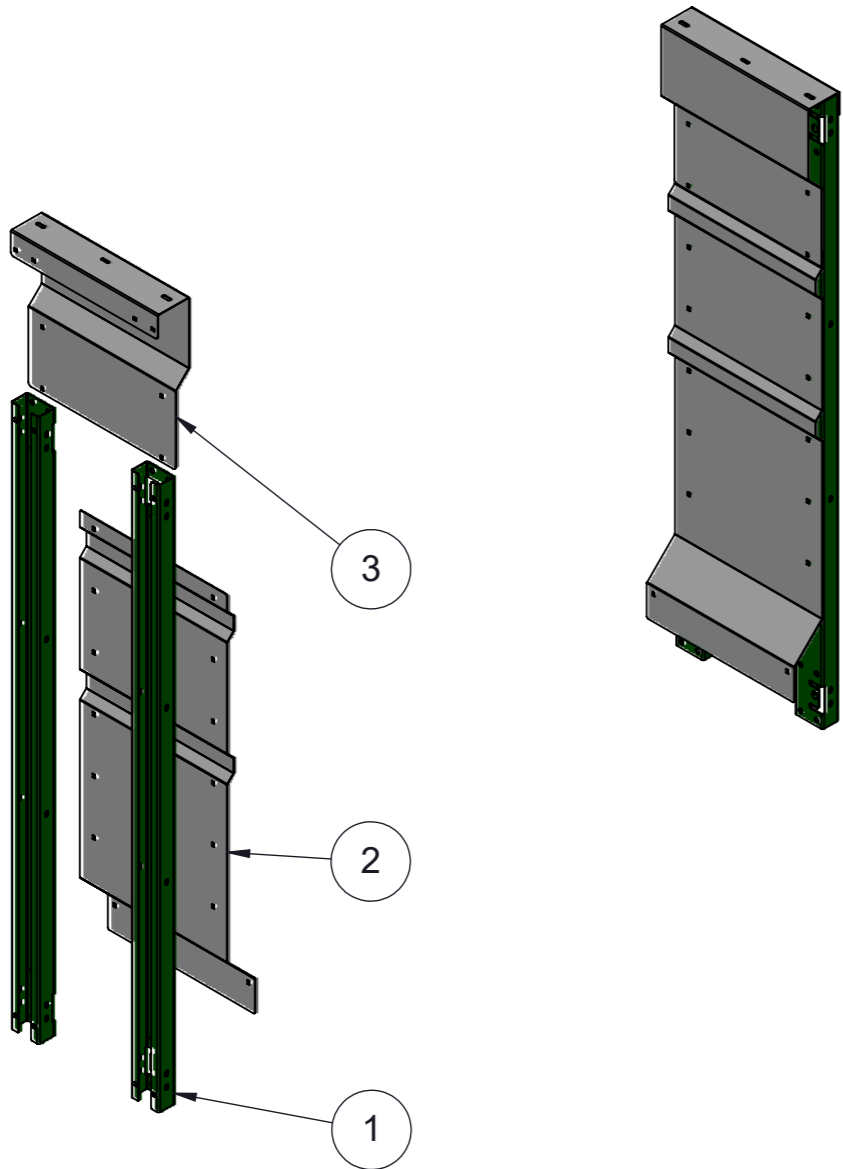
Material:	Thickness:	Surface treatment: RAL:	
Tolerance not specified according to: NS-EN 1430:2009.	Sheet scale: 1:50	Drawing number: 32425	Revisjon: T1
Designed by: Helge	25.02.2025	Projection: A3	
Weight		Drivlinje kort vogn med aksel og kabelarhjul	
			
Content in:	Project:	Replaced by:	

ITEM NO.	PART NUMBER	DESCRIPTION	QTY.
1	19190	Lagerstøtte monteret	1
2	31371	Drivaksel for bunn lessevogn	1
3	Parallel key A12 x 8 x 63 DIN 6885		4
4	Parallel key A12 x 8 x 110 DIN 6885		1
5	19105	Kabelarhjul f. 40mm aksel Corr I Dur.	4
6	B18.22M - Plain washer, 12 mm, wide		2
7	B18.2.3.2M - Formed hex screw, M12 x 1.75 x 25 -- 25WN		2
8	17652	Flenslager UCF 208	1
9	32625	Drivenhet RT 190 1900 Nm	1

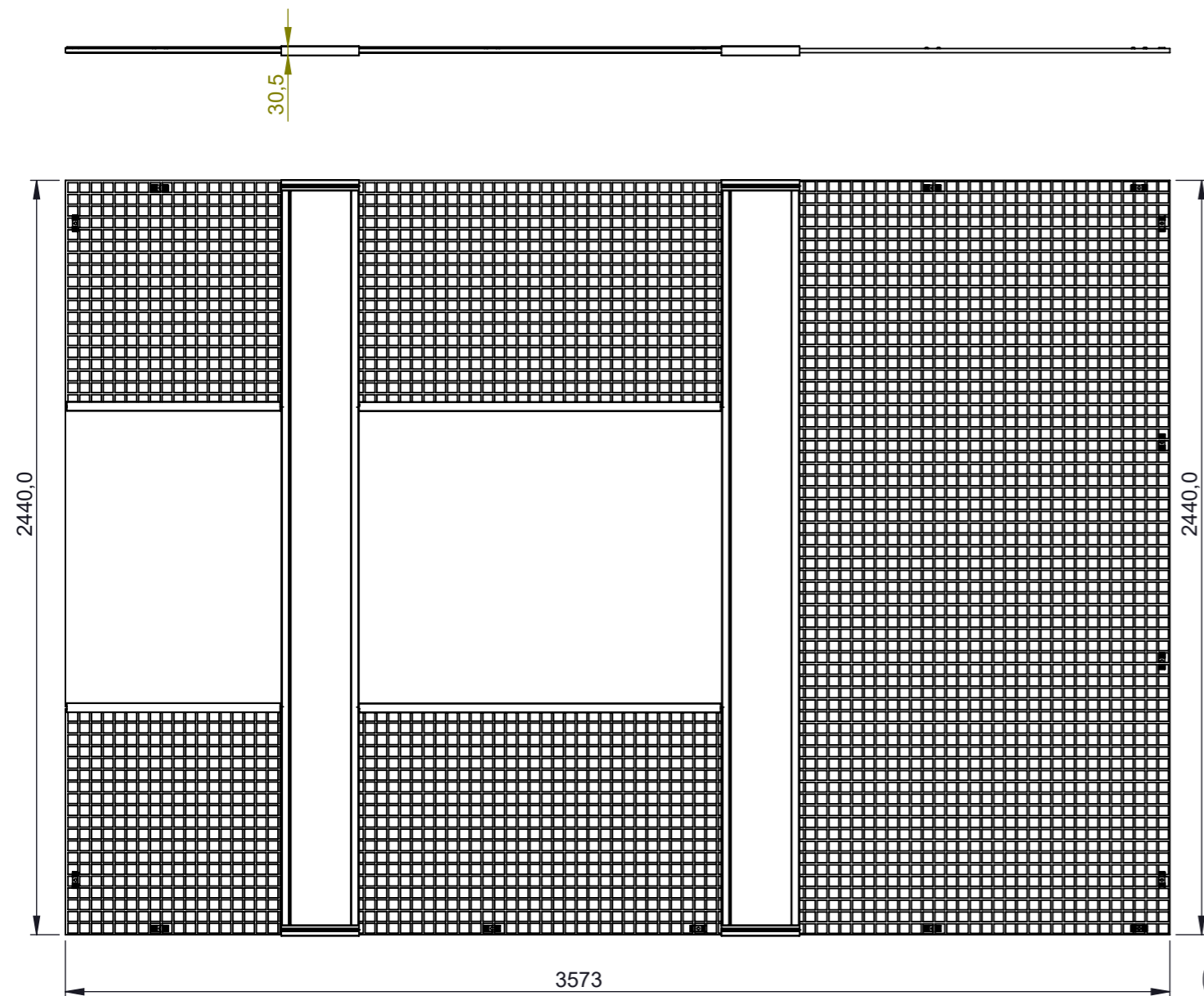


Material:	Thickness:	Surface treatment:	
Tolerance not specified according to: NS-EN 1430:2009.	Sheet scale: 1:50	Drawing number: 32425	Revisjon: T2
Designed by: Helge	09.01.2026	Projection: A3	Drivlinje kort vogn med aksel og kabelarhjul
Weight			
Content in:	Project:	Replaced by:	

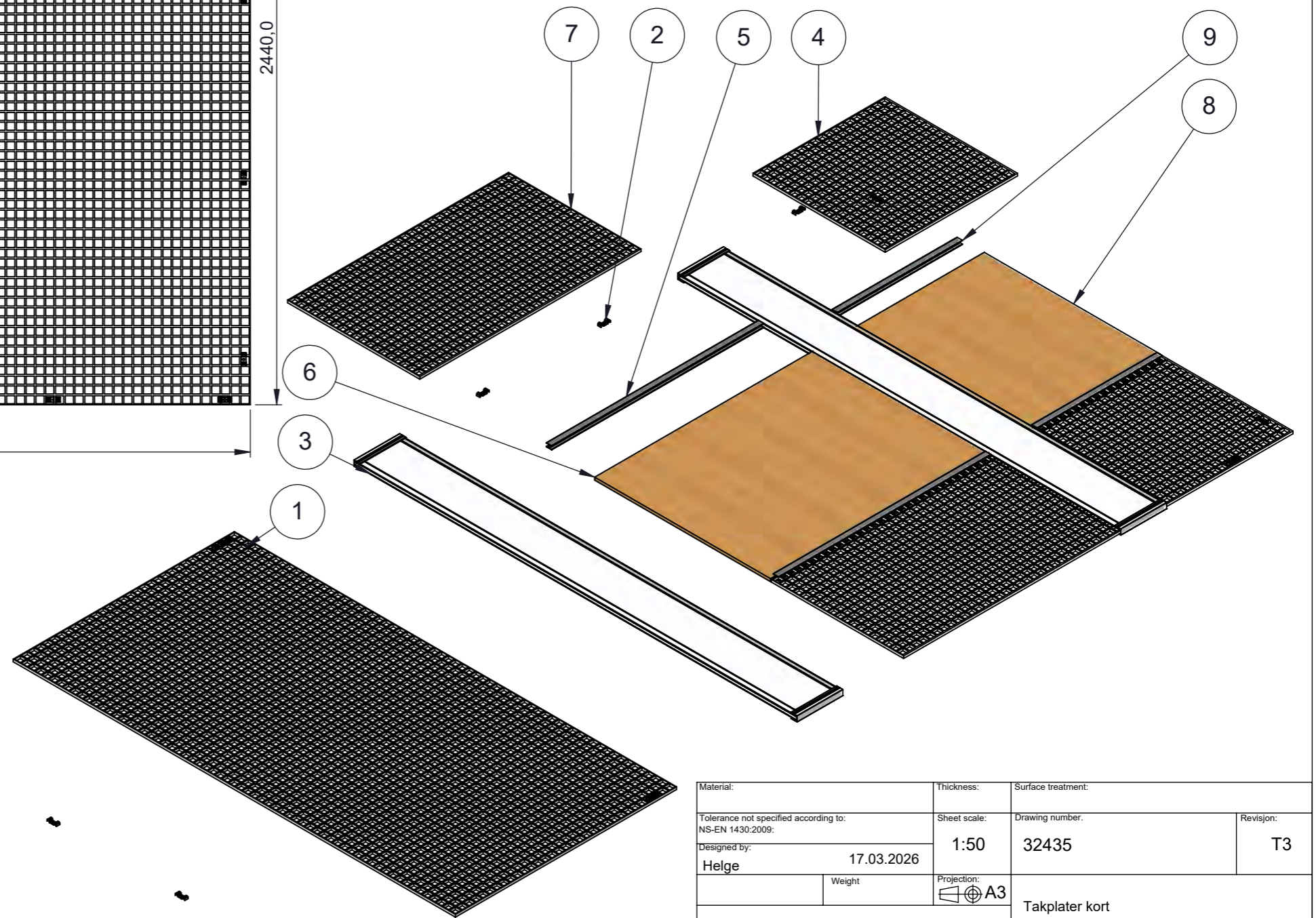
ITEM NO.	PART NUMBER	DESCRIPTION	QTY.
1	31453	Profil midtseksjon sideplater	4
2	32437	Sidekarm kort nedre bakseksjon	2
3	32432	Sidekarm kort øvre bakseksjon	2




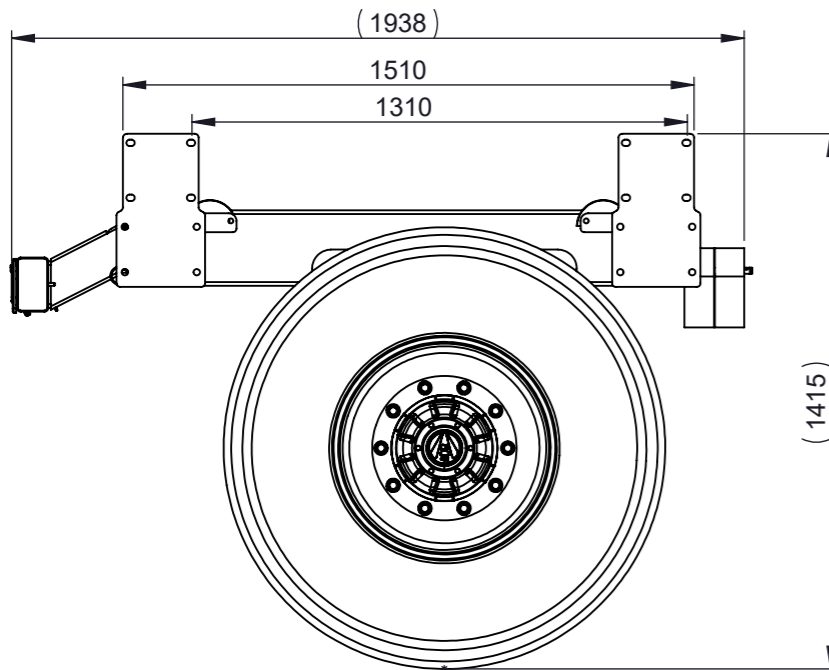
Material:		Thickness:	Surface treatment:	
Tolerance not specified according to: NS-EN 1430:2009.		Sheet scale:	Drawing number:	Revision:
Designed by: Helge		15.01.2026	32430	T2
Weight	Projection:	Bakre kort karmsett		
	A3			
		Content in:		
		Project:		Replaced by:



ITEM NO.	PART NUMBER	DESCRIPTION	QTY.
1	32216	GRP 38X38 2440X1220X13mm Grey	1
2	32107	Klammer f. rist	15
3	32385	Takprofil 252 komplett	2
4	32218	GRP 38X38 2440X730X13mm Grey	2
5	32911	Alu H - Profil	2
6	32912	Vannfast finerplate tak	1
7	32219	GRP 38X38 730X1220X13mm Grey	2
8	32917	Vannfast finerplate tak kort	1
9	32918	Alu H - Profil kort	2

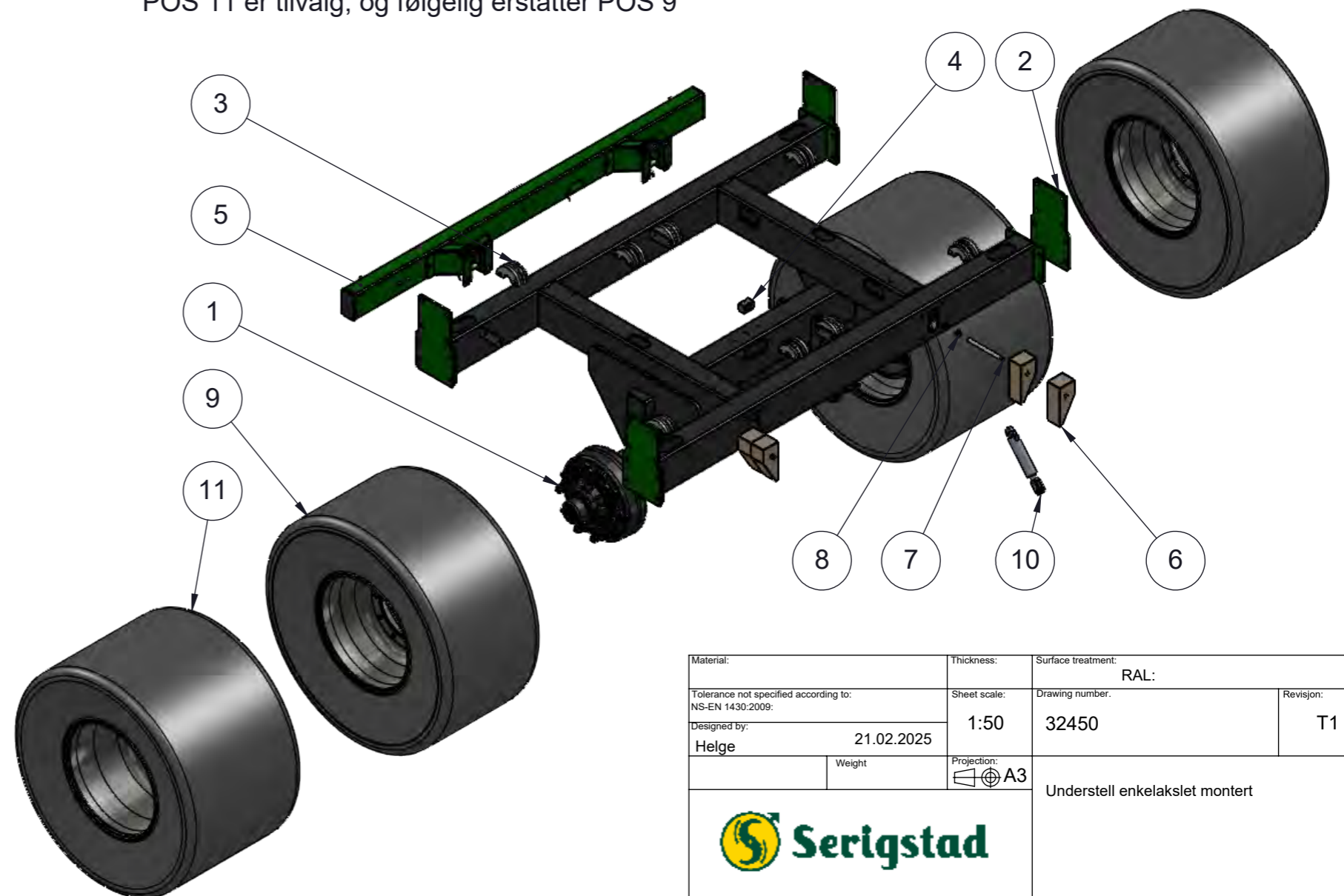
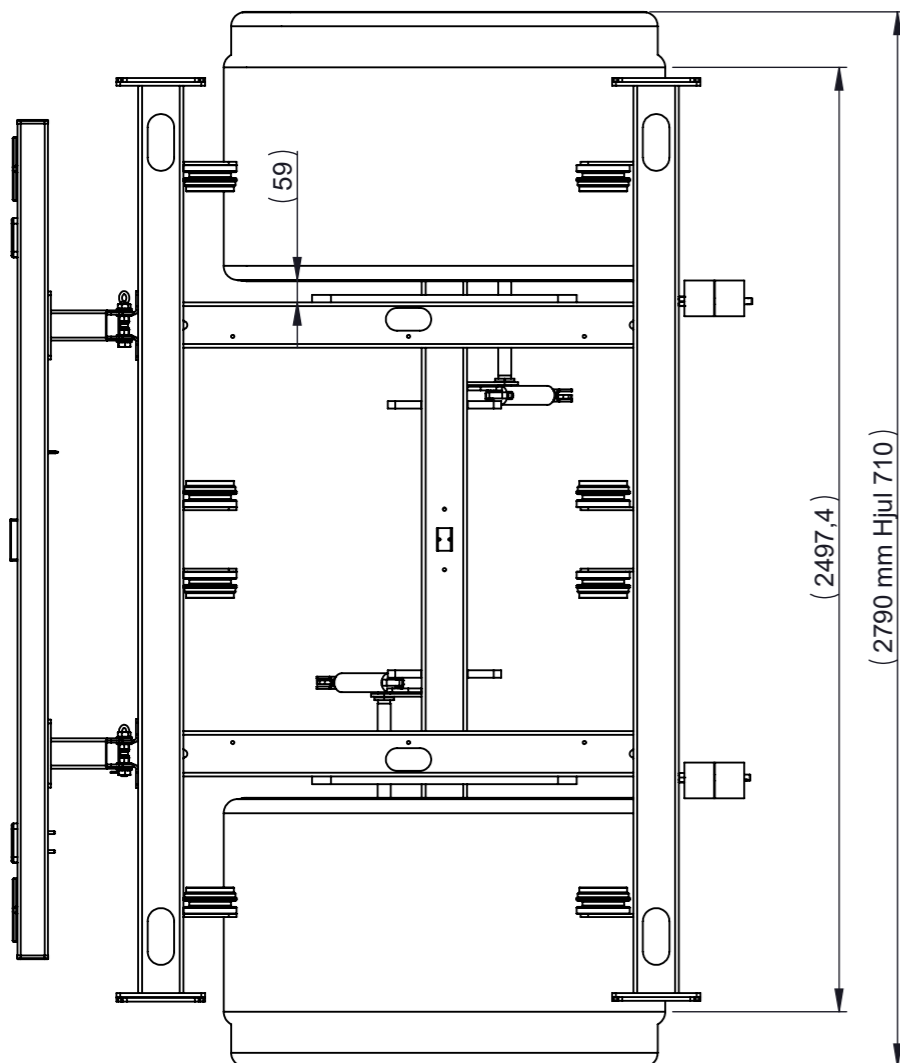


Material:	Thickness:	Surface treatment:	
Tolerance not specified according to: NS-EN 1430:2009.	Sheet scale: 1:50	Drawing number: 32435	Revision: T3
Designed by: Helge	Weight	17.03.2026	Projection: A3
		Takplater kort	
Content in:	Project:	Replaced by:	



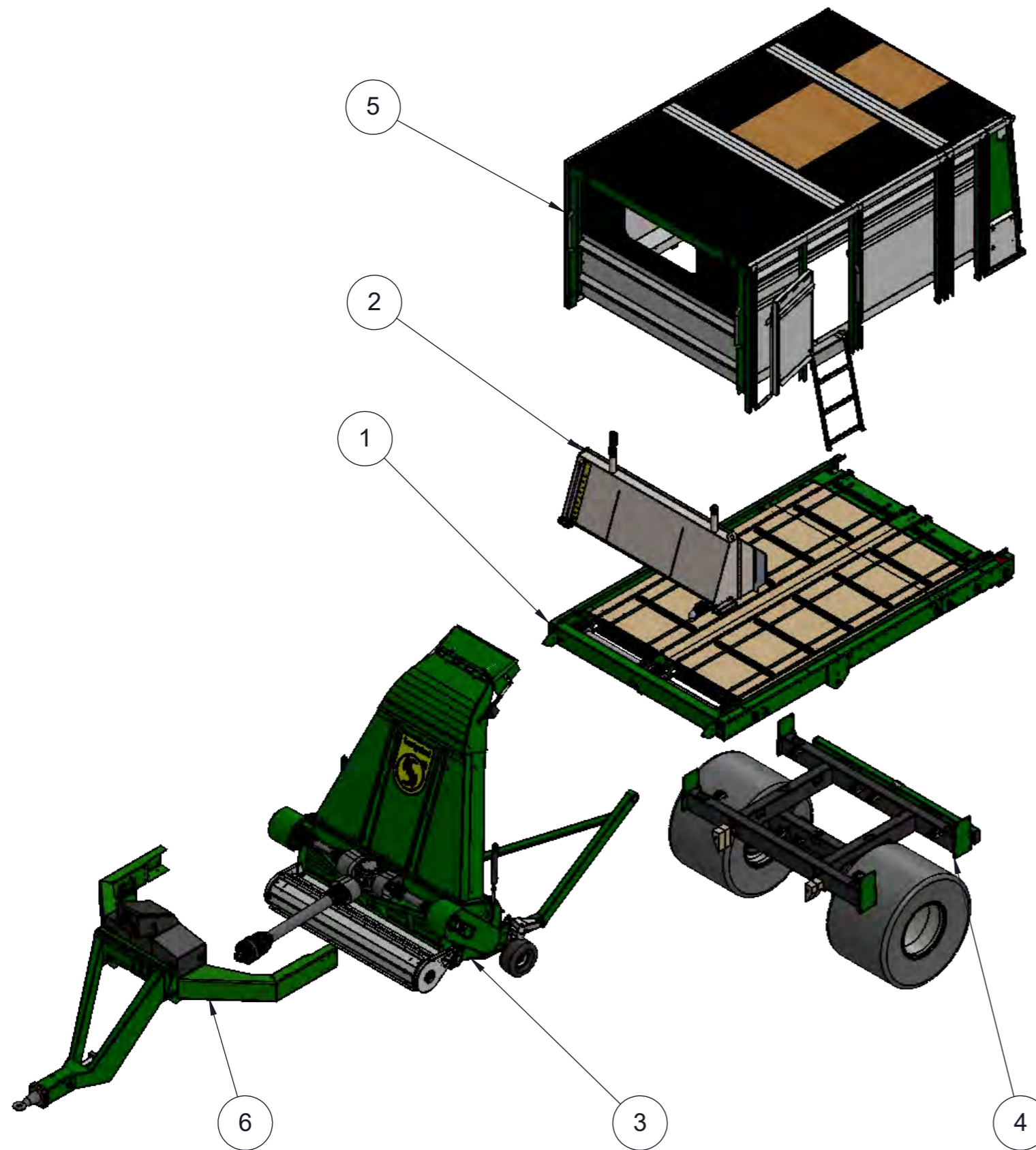
ITEM NO.	PART NUMBER	DESCRIPTION	QTY.
1	32455	Sveist rammeverk understell enkelakslet	1
2	31498	Endebrakett	4
3	19141	Plast halvdel støtterull	8
4	31954	Grenblokk 3/8"	1
5	32565	Underkjøringsvern kort montert	1
6	32085	Park kloss	4
7	31971	M16 gjengestang	2
8	Hexagon Nut ISO 4034 - M16 - N		4
9	31630	600/50r22,5 Dia1168 Offset - 0	2
10	32460	Bremse sylinder	2
11	31075	710/40r22,5 Dia1128 Offset - 100	2

Merk!
POS 11 er tilvalg, og følgelig erstatter POS 9

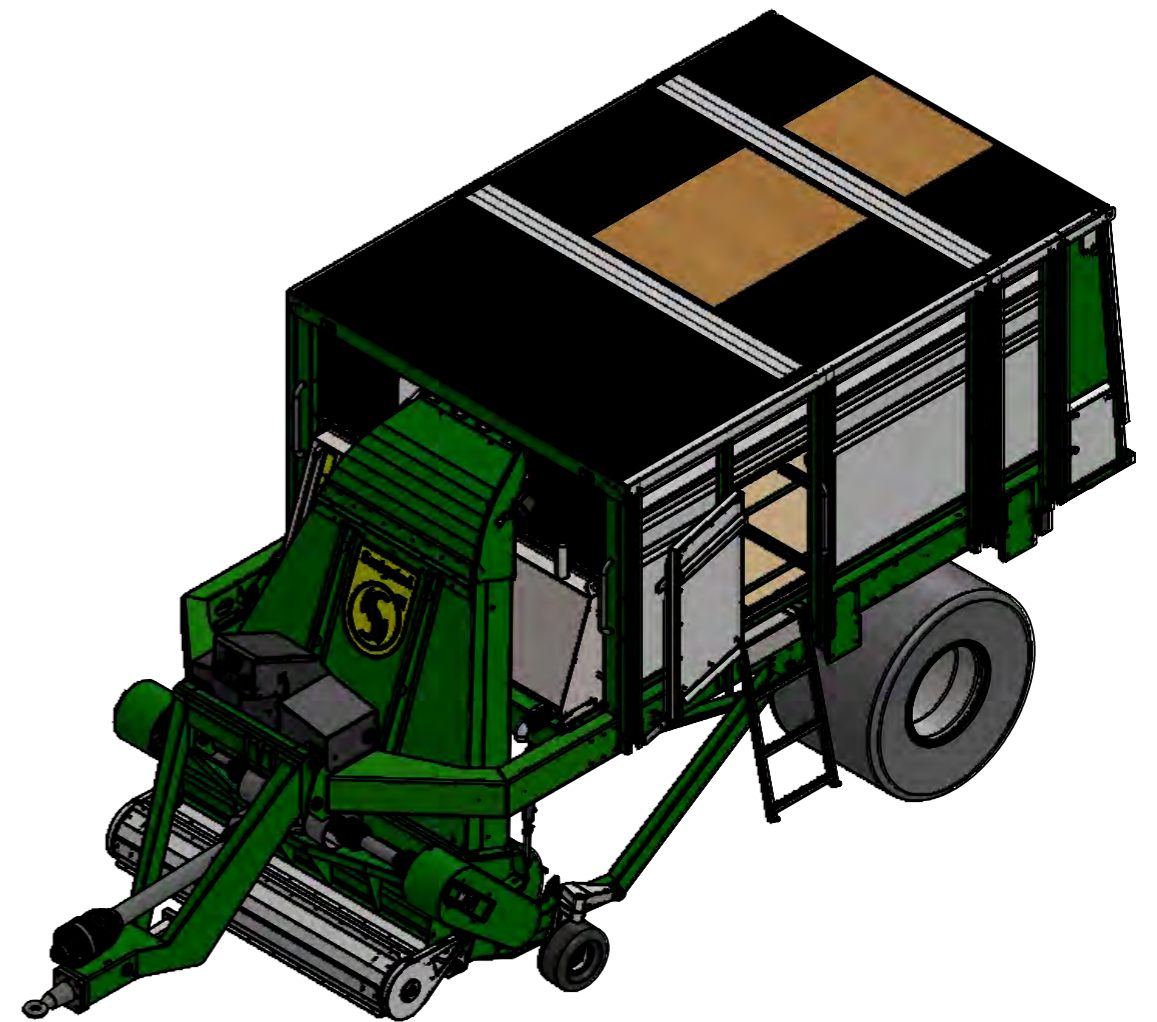


Material:	Thickness:	Surface treatment: RAL:	
Tolerance not specified according to: NS-EN 1430:2009.	Sheet scale: 1:50	Drawing number: 32450	Revision: T1
Designed by: Helge	21.02.2025	Projection: A3	
Weight		Understell enkelakslet montert	
Content in:		Project:	
		Replaced by:	



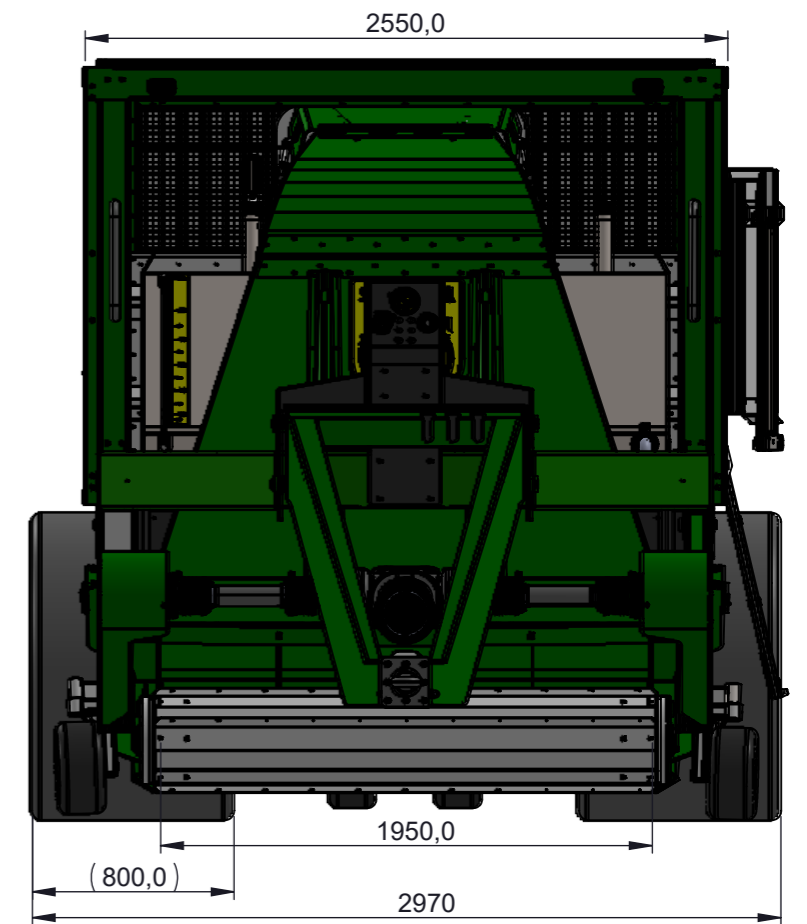
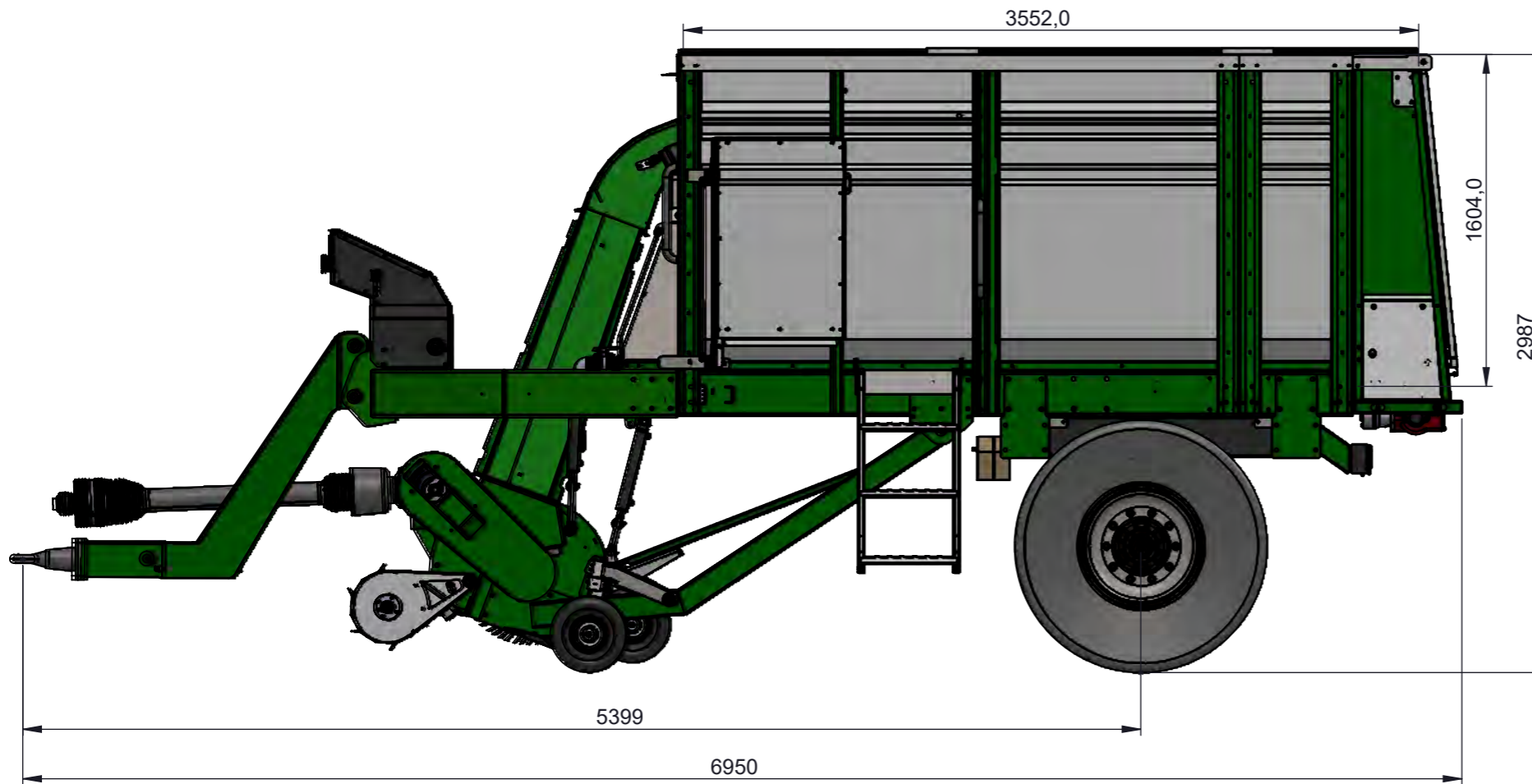


ITEM NO.	PART NUMBER	DESCRIPTION	QTY.
1	32410	Bunnramme kort monteret	1
2	31860	Syretank monteret	1
3	31050	Prosesor monteret	1
4	32450	Understell enkelakslet monteret	1
5	32540	Overbygg 13 kubikk	1
6	32970	Drag og ramme monteret	1



Material:		Thickness:	Surface treatment:	
Tolerance not specified according to: NS-EN 1430:2009.		Sheet scale:	Drawing number:	
Designed by: Helge		1:100	32500	Revision: T2
Weight 4.190 Kg		Projection: A3	Fenix Multikutter 13	
Content in:		Project:	Replaced by:	

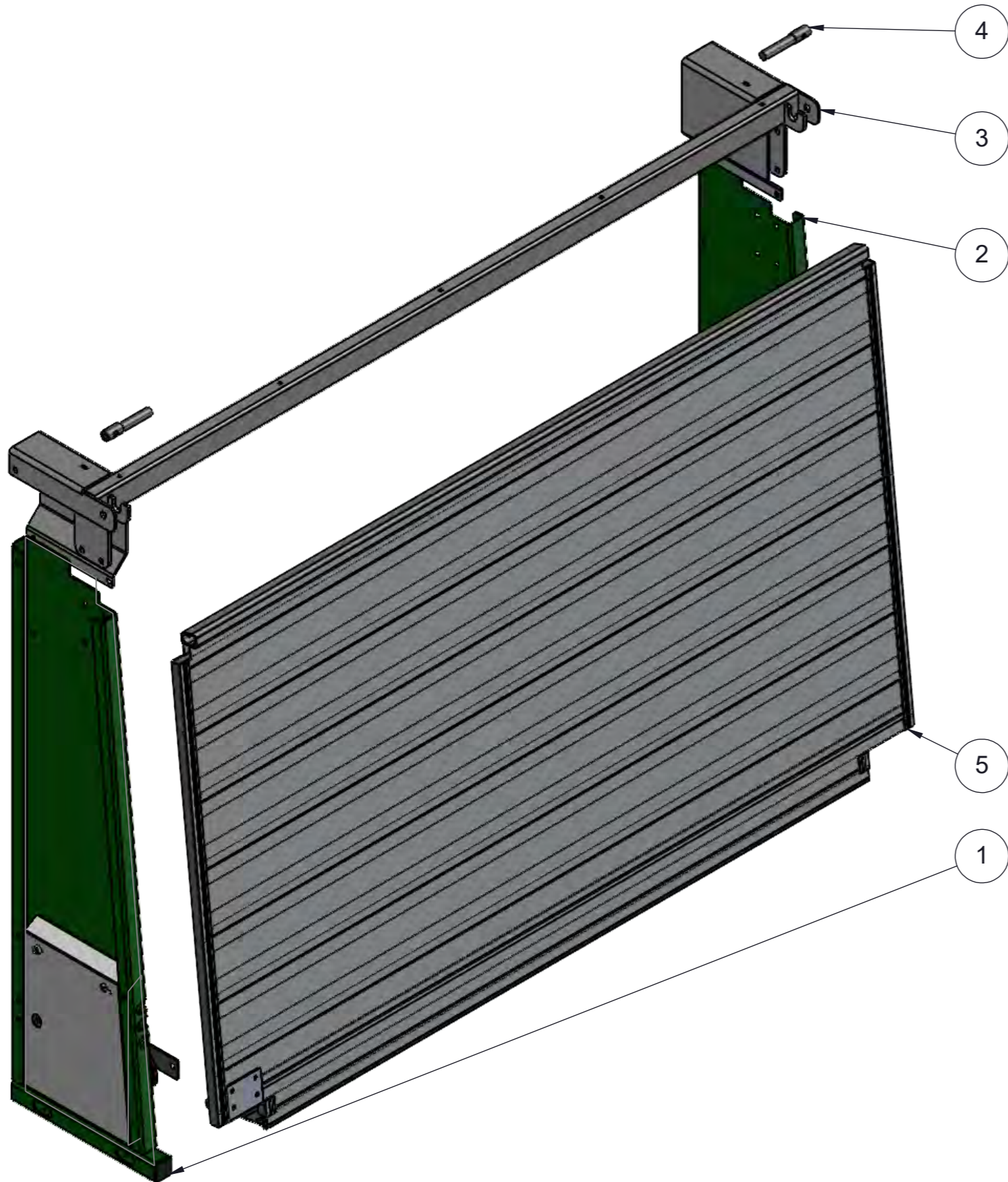




Material:		Thickness:	Surface treatment:	
Tolerance not specified according to: NS-EN 1430:2009.		Sheet scale:	Drawing number:	Revision:
Designed by: Helge		17.03.2026	32500	T2
Weight 4.190 Kg		Projection: A3	Fønix Multikutter 13	
Content in:		Project:	Replaced by:	



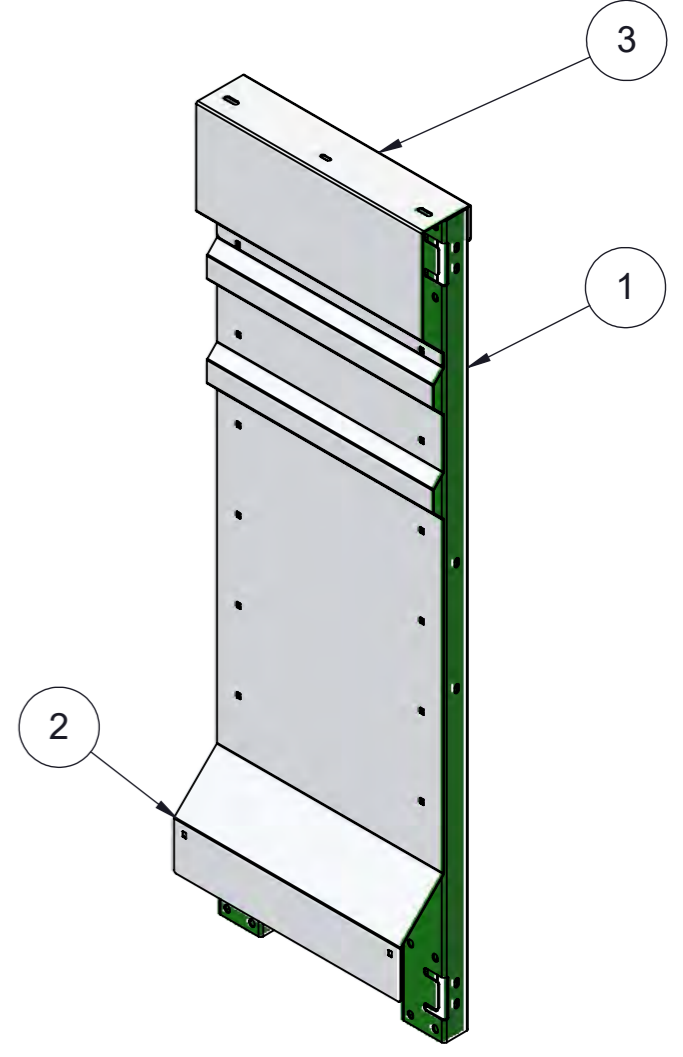
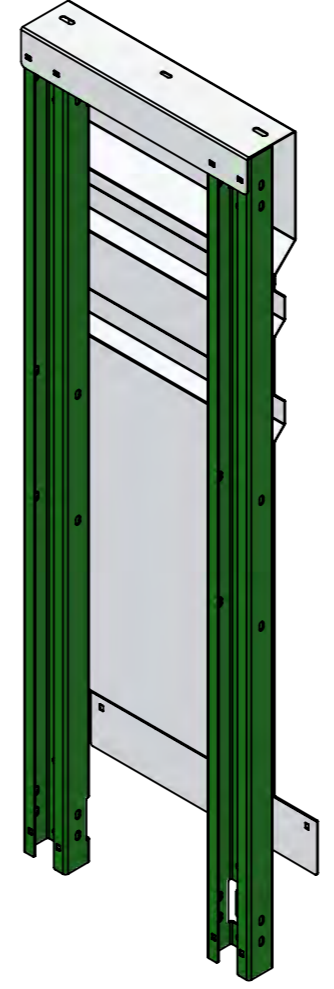
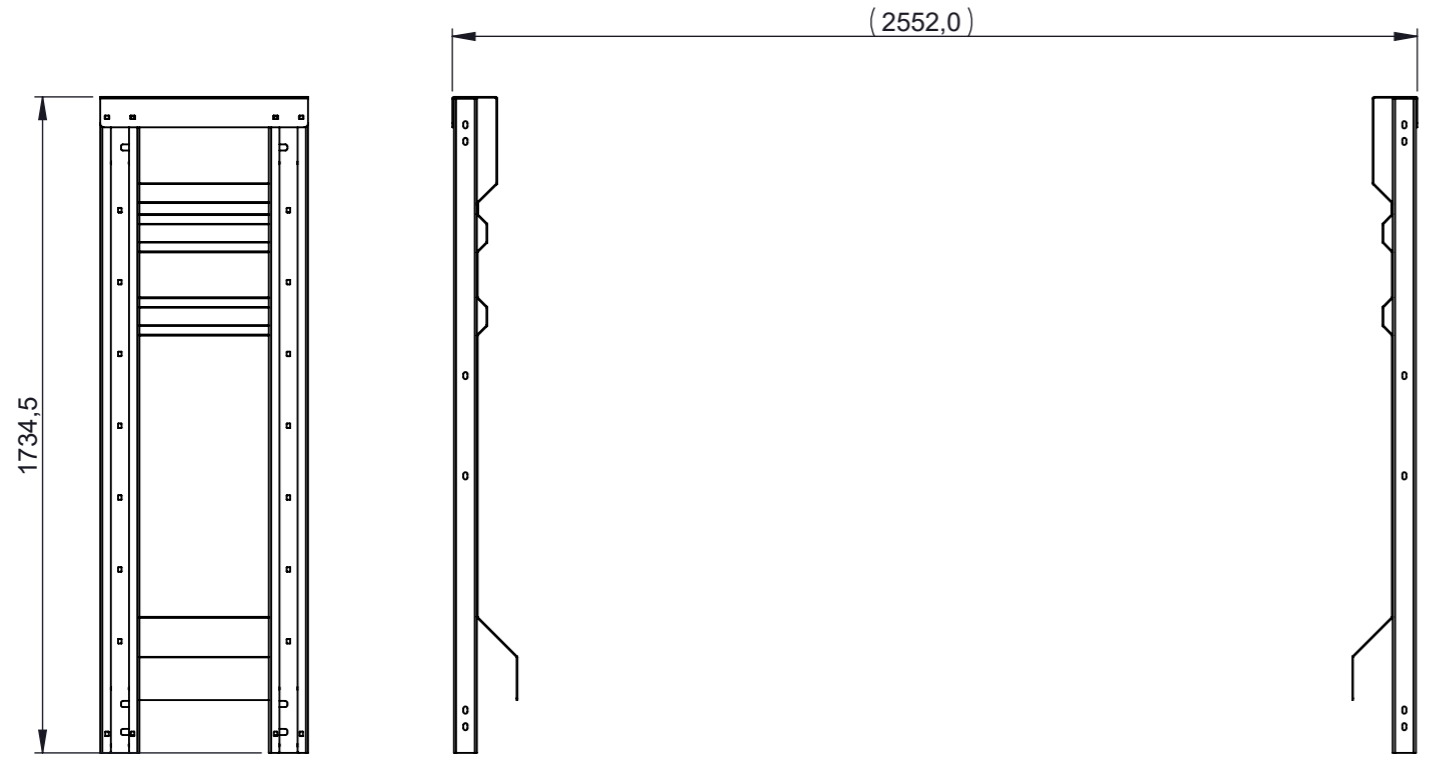
ITEM NO.	PART NUMBER	DESCRIPTION	QTY.
1	32535	V. Sideplate lav for bakluke montert	1
2	32545	H. Sideplate lav for bakluke montert	1
3	31665	Bakluke travers sveist	1
4	31662	Eksenteraksel	2
5	32550	Bakluke lav montert	1



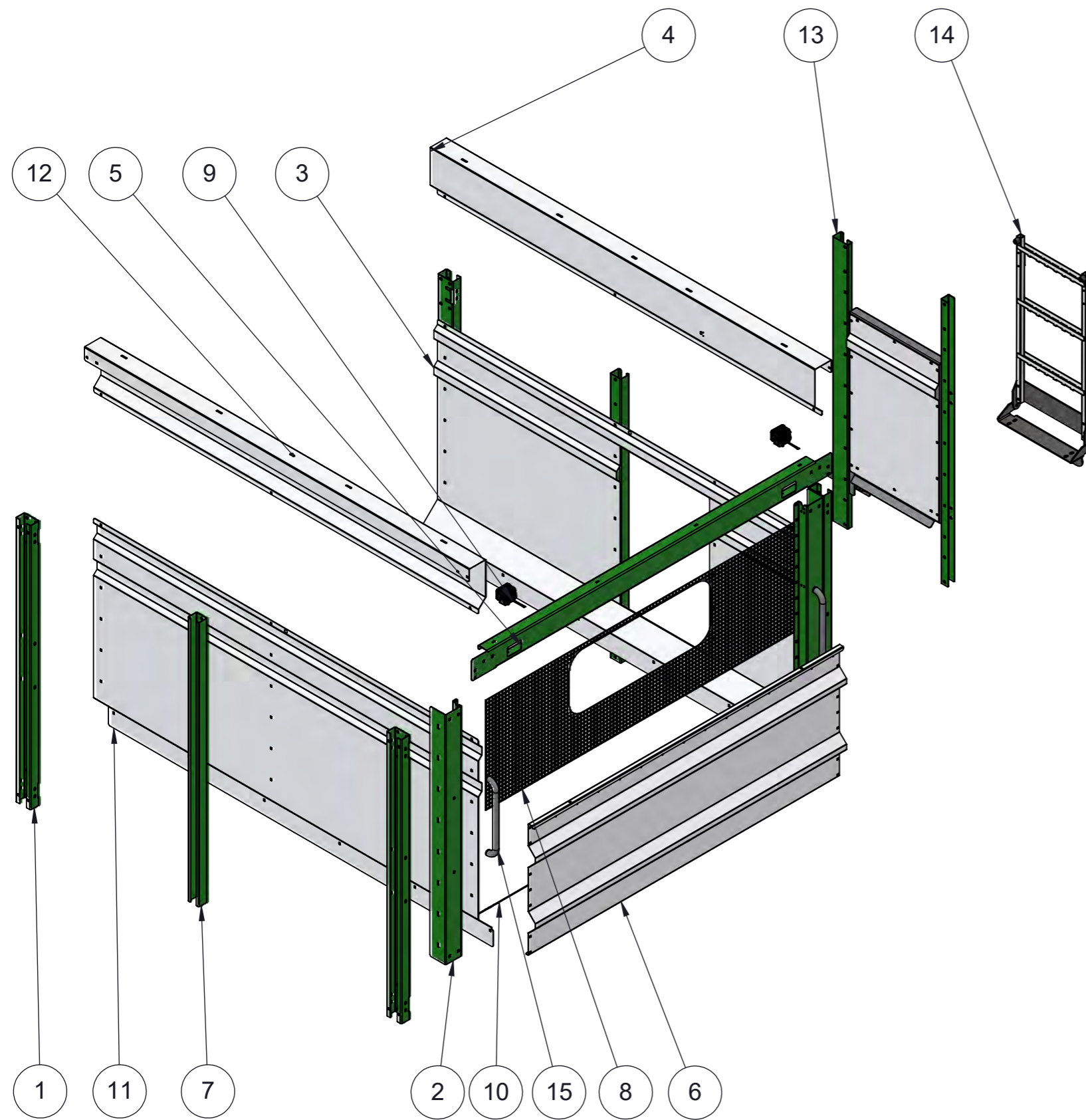
Material:	Thickness:	Surface treatment: RAL:	
Tolerance not specified according to: NS-EN 1430:2009.	Sheet scale: 1:50	Drawing number: 32510	Revision: T1
Designed by: Helge	26.02.2025	Projection: A3	Bakluke lav seksjon montert
Weight		Replaced by:	
Content in:		Project:	



ITEM NO.	PART NUMBER	DESCRIPTION	QTY.
1	32513	Profil lav midtseksjon sideplater	4
2	32517	Sidekarm kort nedre bakseksjon	2
3	32511	Sidekarm kort lav øvre bakseksjon	2

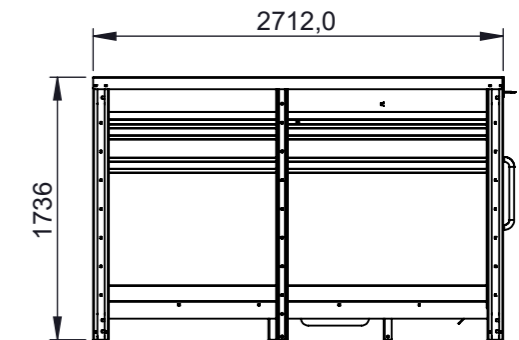
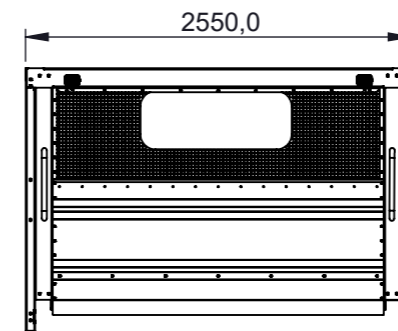


Material:		Thickness:	Surface treatment:	
Tolerance not specified according to: NS-EN 1430:2009.		Sheet scale:	Drawing number:	Revision:
Designed by: Helge		09.02.2026	1:50	32520
Weight		Projection: A3	T3	
			Bakre lavt kort karmsett	
			Content in:	Project:
				Replaced by:



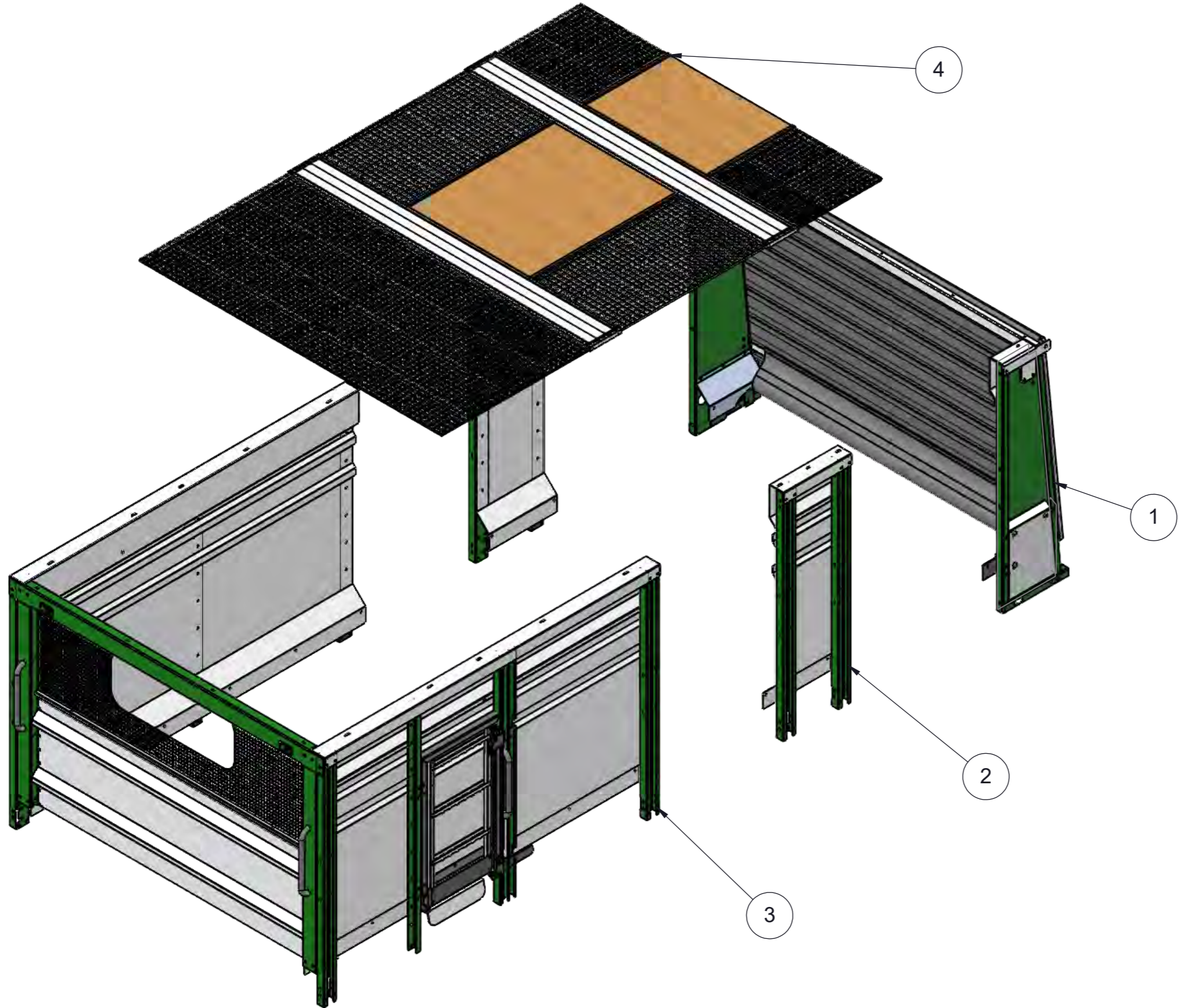
ITEM NO.	PART NUMBER	DESCRIPTION	QTY.
1	32513	Profil lav midtseksjon sideplater	4
2	32523	Front lav rammeprofil	2
3	32526	Sidekarm lav nedre front	1
4	32521	Sidekarm lav øvre front	1
5	31483	Øvre frontprofil	1
6	31472	Fremre karm	1
7	32522	Profil lav sideplater	2
8	32516	Nett lav front	1
9	31458	Lumen Workforce SQ6 - 13779	2
10	31484	Gummiskjørt for fremskjerm	1
11	32531	H. sidekarm nedre front	1
12	32528	Speilvendt lav topp sideplate	1
13	32960	13 kubikk Luke komplett med lås og stolper	1
14	32920	Stige monterert komplett	1
15	32904	Handtak	2


Note!
Pos 6 + 10 - Option. Manditory if ordered witout acid tank.

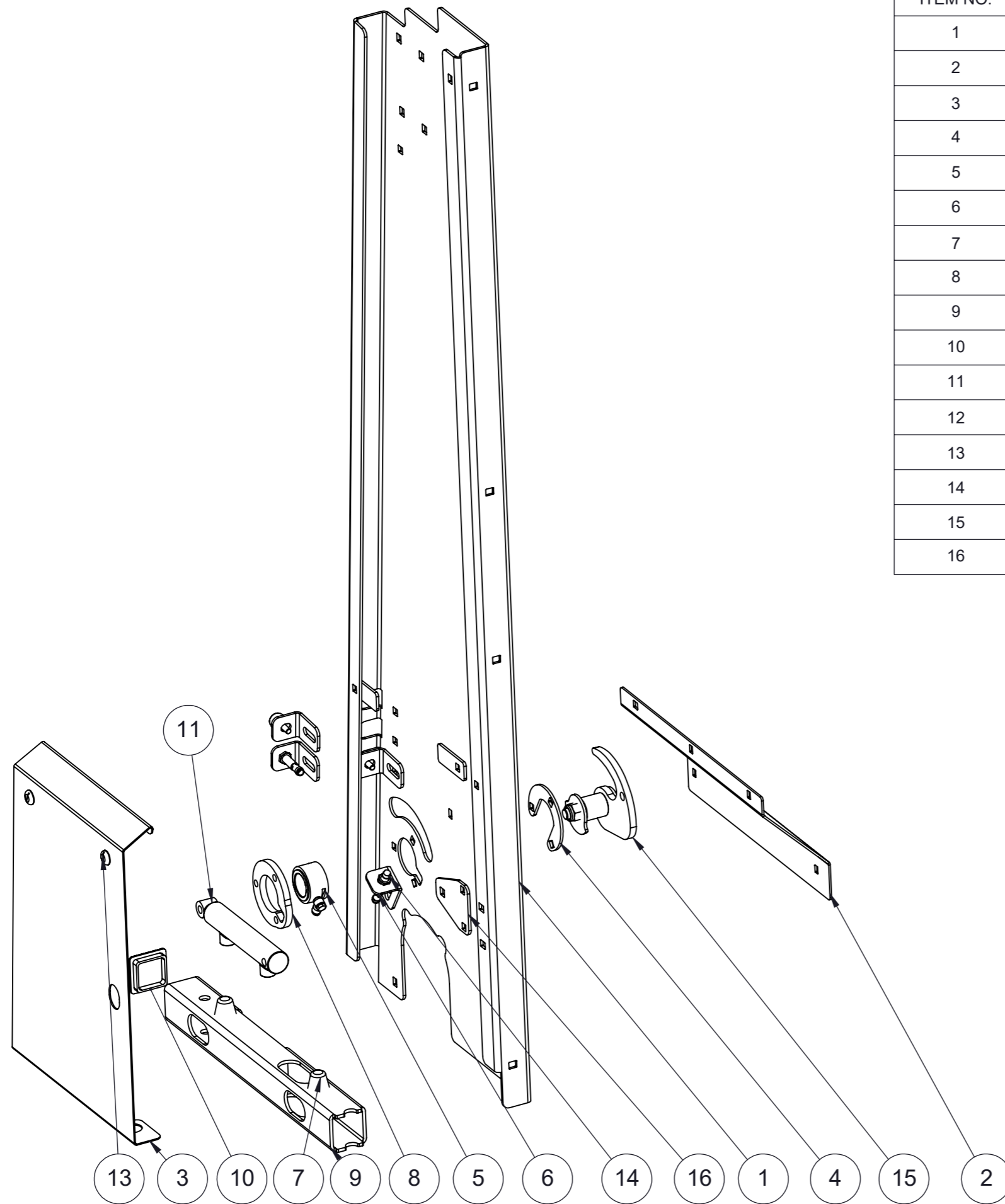


Material:		Thickness:	Surface treatment:	
Tolerance not specified according to: NS-EN 1430:2009.		Sheet scale:	Drawing number:	Revision:
Designed by: Helge		09.02.2026	1:50	32530
Weight		Projection:	A3	
		Front lavt karmsett		
		Content in:	Project:	Replaced by:


ITEM NO.	PART NUMBER	DESCRIPTION	QTY.
1	32510	Bakluke lav seksjon montert	1
2	32520	Bakre lavt kort karmsett	1
3	32530	Front lavt karmsett	1
4	32435	Takplater kort	1



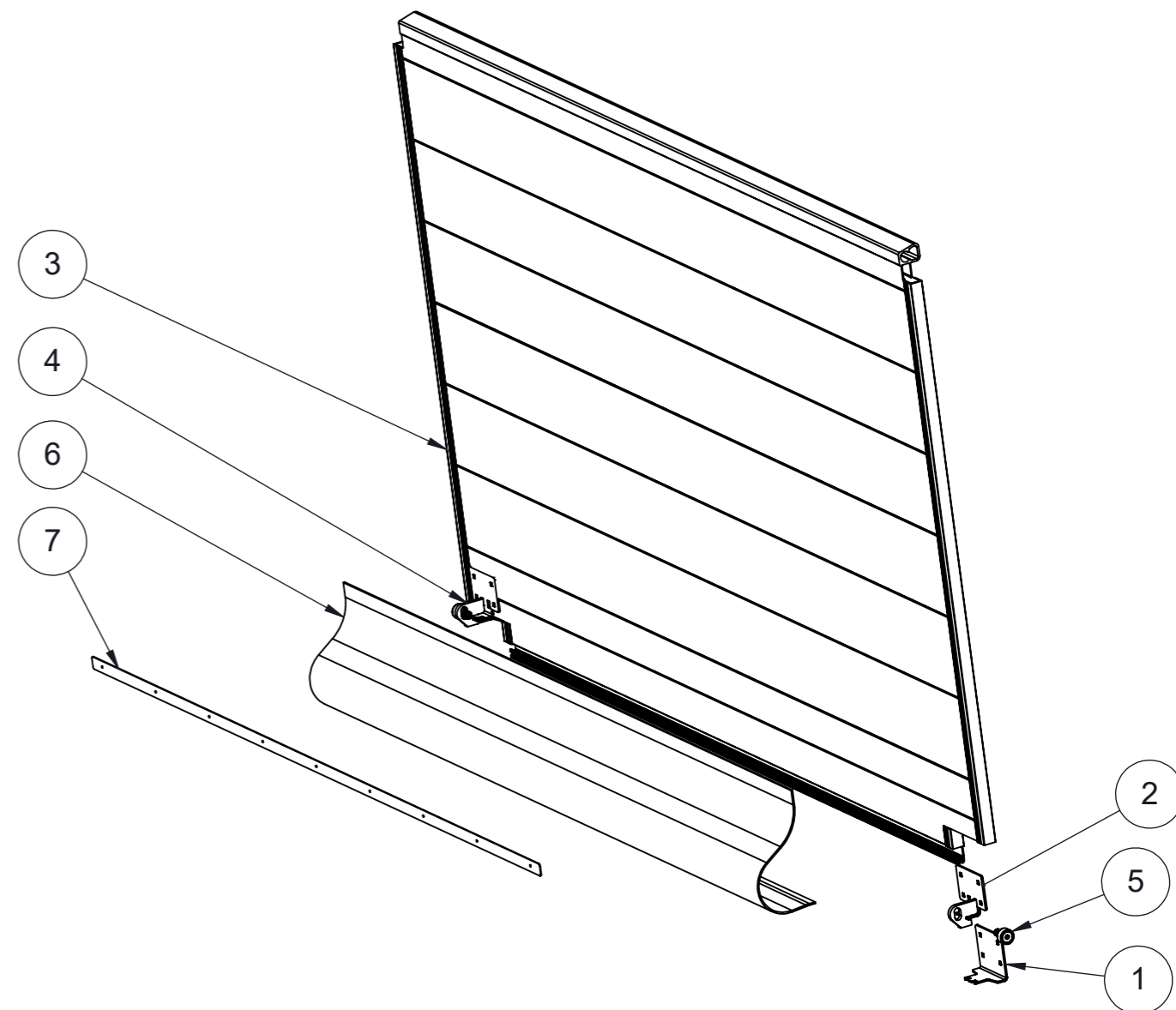
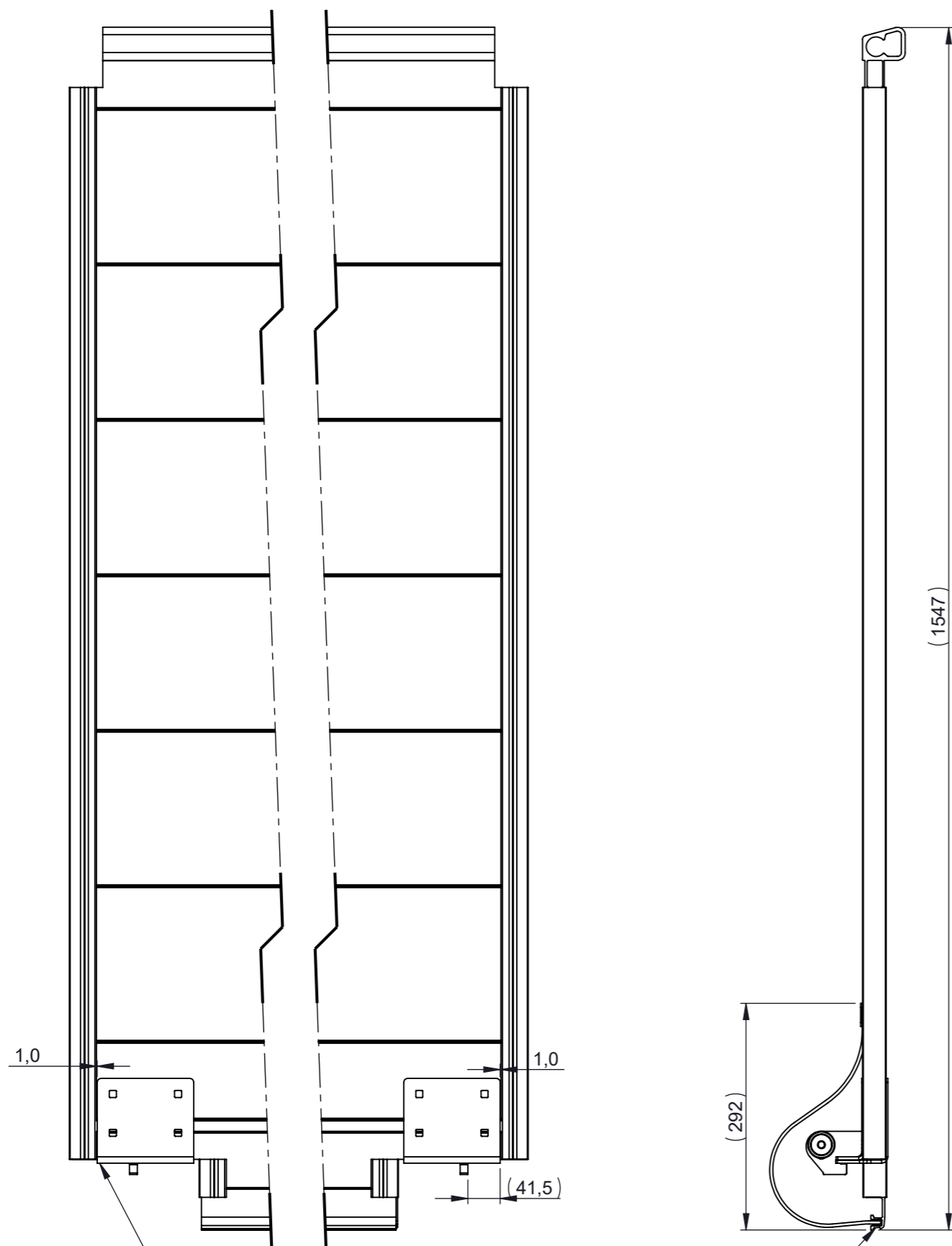
Material:	Thickness:	Surface treatment: RAL:	
Tolerance not specified according to: NS-EN 1430:2009.	Sheet scale: 1:100	Drawing number: 32540	Revision: T2
Designed by: Helge	09.02.2026	Projection: A3	
Weight	Overbygg 13 kubikk		
			
Content in:	Project:	Replaced by:	



ITEM NO.	PART NUMBER	DESCRIPTION	QTY.
1	32537	Speilvendt lav bakre sideplate	1
2	31607	Profilplate	1
3	31622	Deksel f. aktuator	1
4	31078	Låseplate for lager	1
5	17105	Komplett lager med spor	1
6	31659	Luke dempe brakett	4
7	31632	Buffer GN 253-32-M8-16-40	4
8	31741	Støtteplate for lager	1
9	31207	Bakkarm Støtfanger	1
10	32224	Plastplugg 60x60x5 firkantrør	1
11	32230	Sylinder for lås bakluke	1
12	32223	Deksel feste	2
13	17096	Camlock 14 turn	2
14	32240	E2B-M12LN08-WP-B2 2M	2
15	32245	H. kroklås med roterende deler	1
16	32233	Sylinderfeste	1

Material:	Thickness:	Surface treatment: RAL:	
Tolerance not specified according to: NS-EN 1430:2009.	Sheet scale: 1:20	Drawing number: 32545	Revision: T1
Designed by: Helge	26.02.2025	Projection: A3	
Weight		H. Sideplate lav for bakluke monteret	
			
Content in:	Project:	Replaced by:	

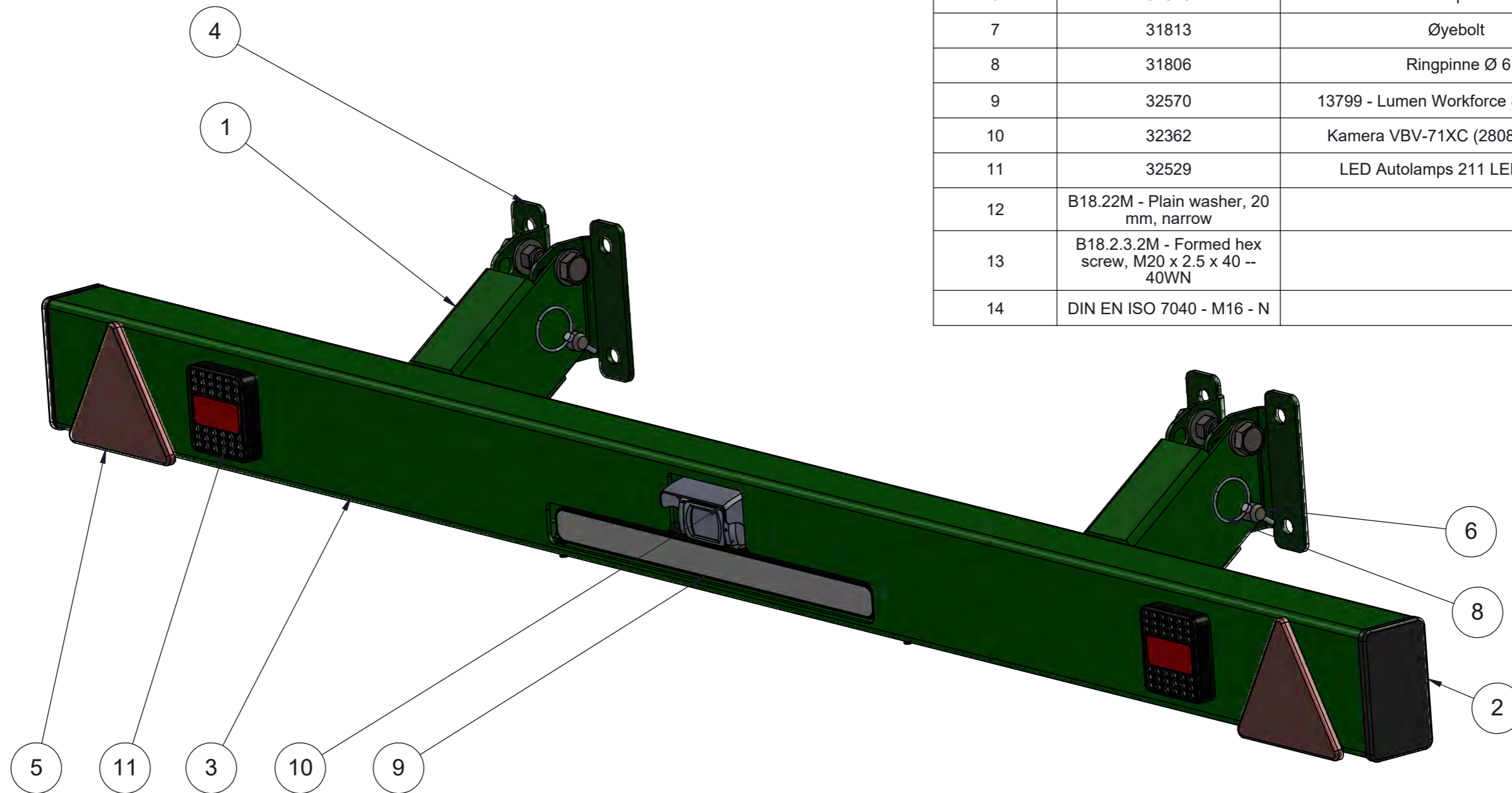
ITEM NO.	PART NUMBER	DESCRIPTION	QTY.
1	31596	Utvendig låsebrakett	2
2	31625	Låsebrakett innv. sveist	1
3	32555	Bakluke kort	1
4	31626	Låsebrakett innv. sveist	1
5	32236	Roller cam	2
6	31666	PVC band	1
7	31887	List f. bakluke	1




Sort PVC band med list festes med popnagler
 Braketter monteres med å bore 4 hull på kvart feste

Material:	Thickness:	Surface treatment:	
Tolerance not specified according to: NS-EN 1430:2009.	Sheet scale: 1:50	Drawing number: 32550	Revisjon: T1
Designed by: Helge	26.02.2025	Weight	Projection: A3
		Bakluke lav montert	
Content in:		Project:	Replaced by:

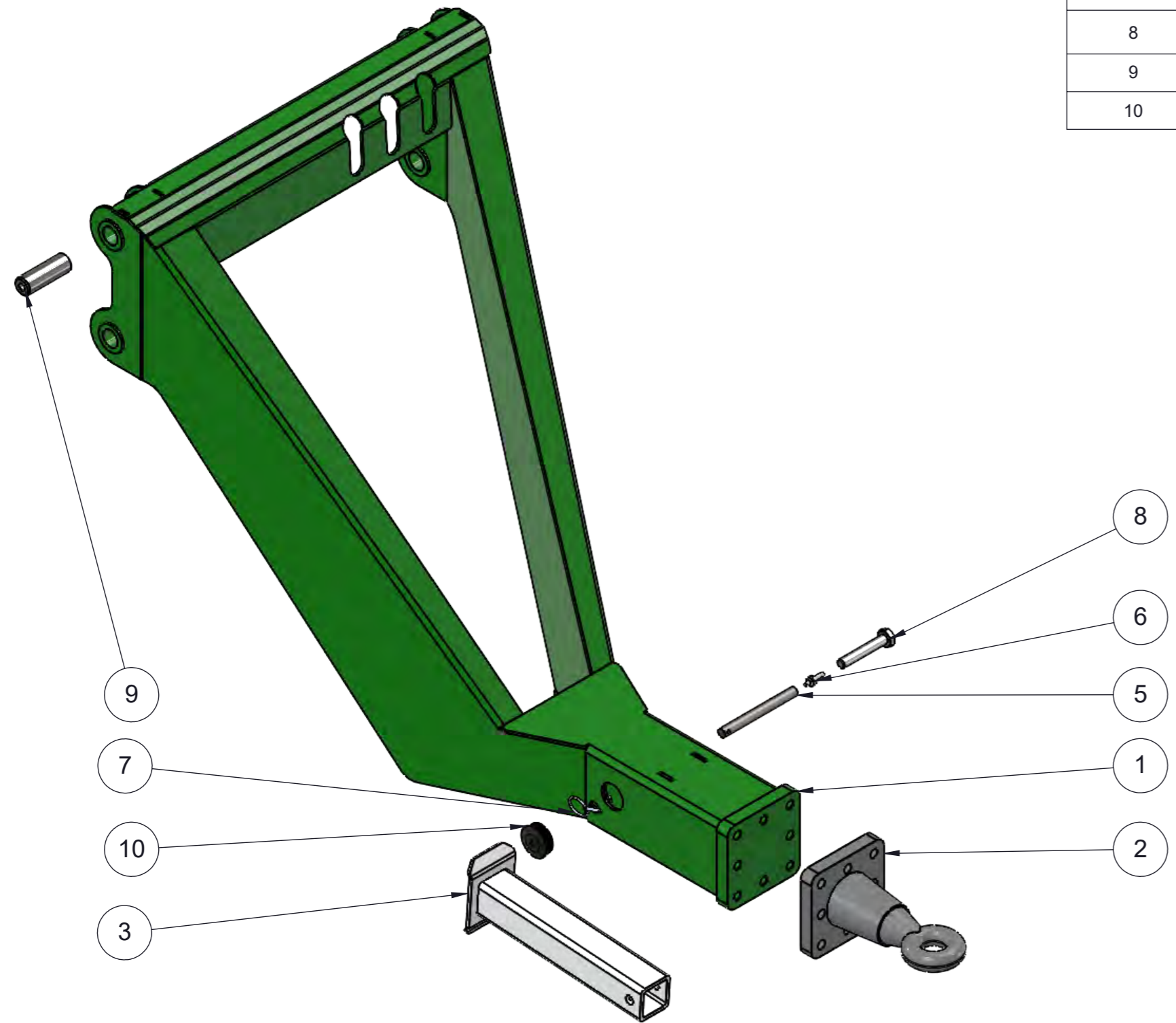




ITEM NO.	PART NUMBER	DESCRIPTION	QTY.
1	32560	Underkjørings bjelke kort sveist	2
2	31886	Plast profilplugg	2
3	31794	Underkjøringsvern m innfelt lys	1
4	31782	Festebrakett ramme	4
5	31841	Varsel trekant reflex	2
6	31573	Låsepinne	2
7	31813	Øyebolt	2
8	31806	Ringpinne Ø 6	2
9	32570	13799 - Lumen Workforce S20 Ultima	1
10	32362	Kamera VBV-71XC (2808B)(2841B)	1
11	32529	LED Autolamps 211 LED baklykt	2
12	B18.22M - Plain washer, 20 mm, narrow		8
13	B18.2.3.2M - Formed hex screw, M20 x 2.5 x 40 -- 40WN		4
14	DIN EN ISO 7040 - M16 - N		4

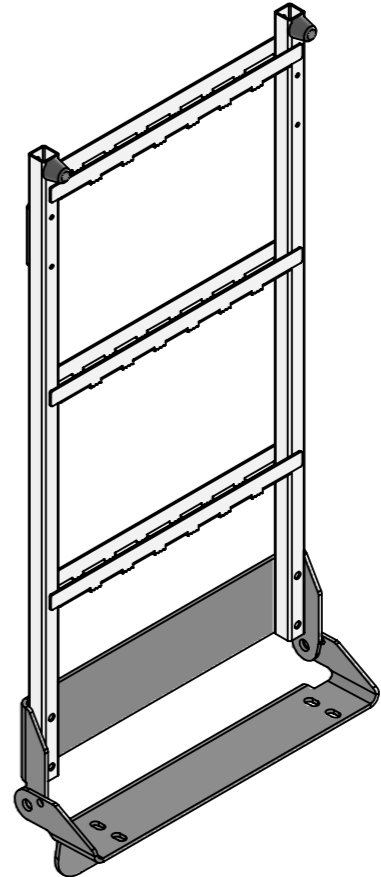
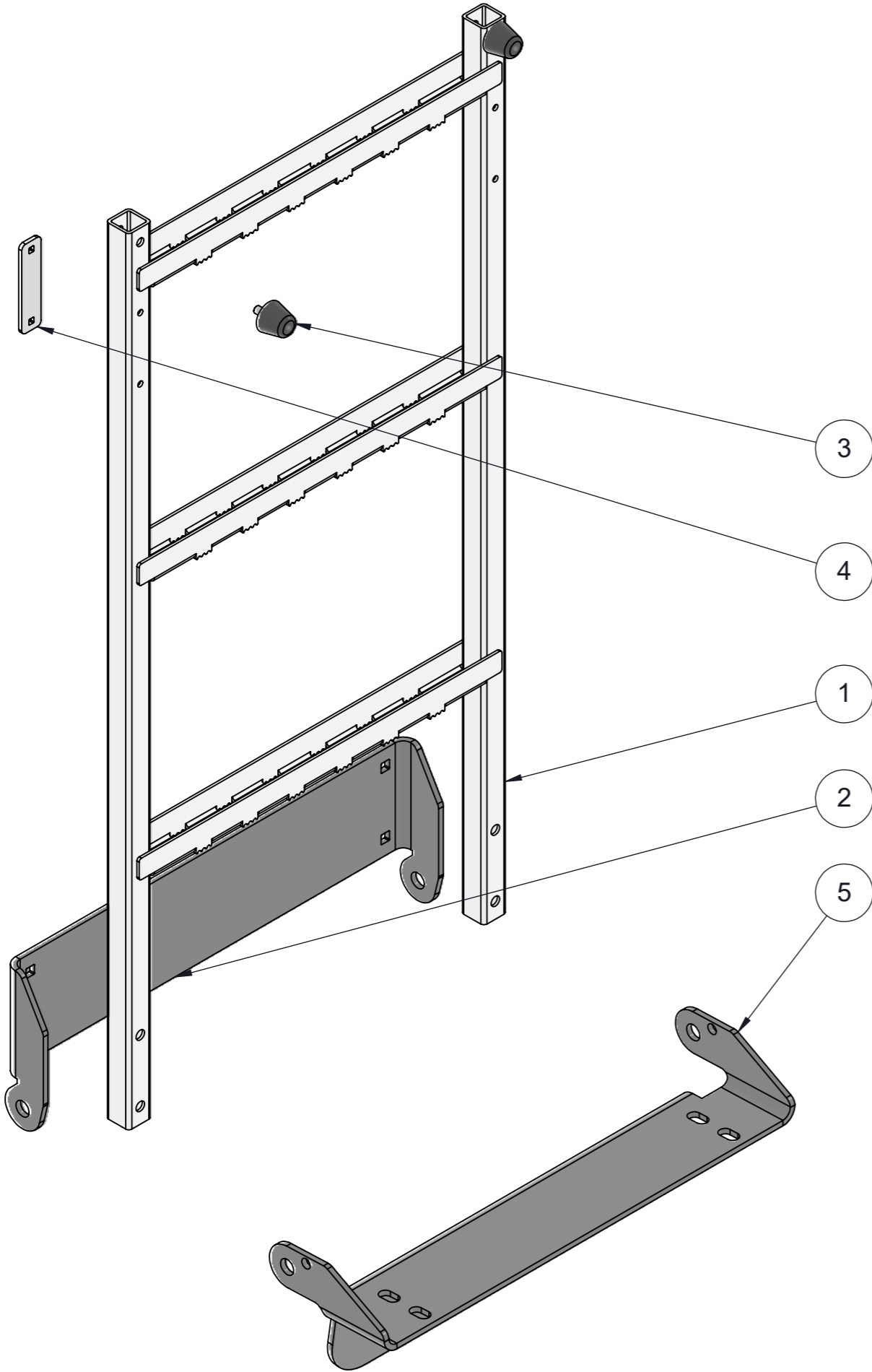
Material:	Thickness:	Surface treatment: RAL:	
Tolerance not specified according to: NS-EN 1430:2009.	Sheet scale: 1:20	Drawing number: 32565	Revision: T1
Designed by: Helge	28.02.2025	Projection: A3	
Weight		Underkjøringsvern kort monterert	
			
Content in:	Project:	Replaced by:	


ITEM NO.	PART NUMBER	DESCRIPTION	QTY.
1	32740	Drag sveist	1
2	31564	Drag øye	1
3	32730	Sveist parkfot	1
4	961932	Smørenippel M8	2
5	32898	Låsepinne	1
6	31813	Øyebolt	1
7	31806	Ringpinne Ø 6	1
8	ISO 7412 - M20 x 120 --- 43-WN		1
9	32867	Låseaksel for sylinder	2
10	7295051	Plastlokk	2

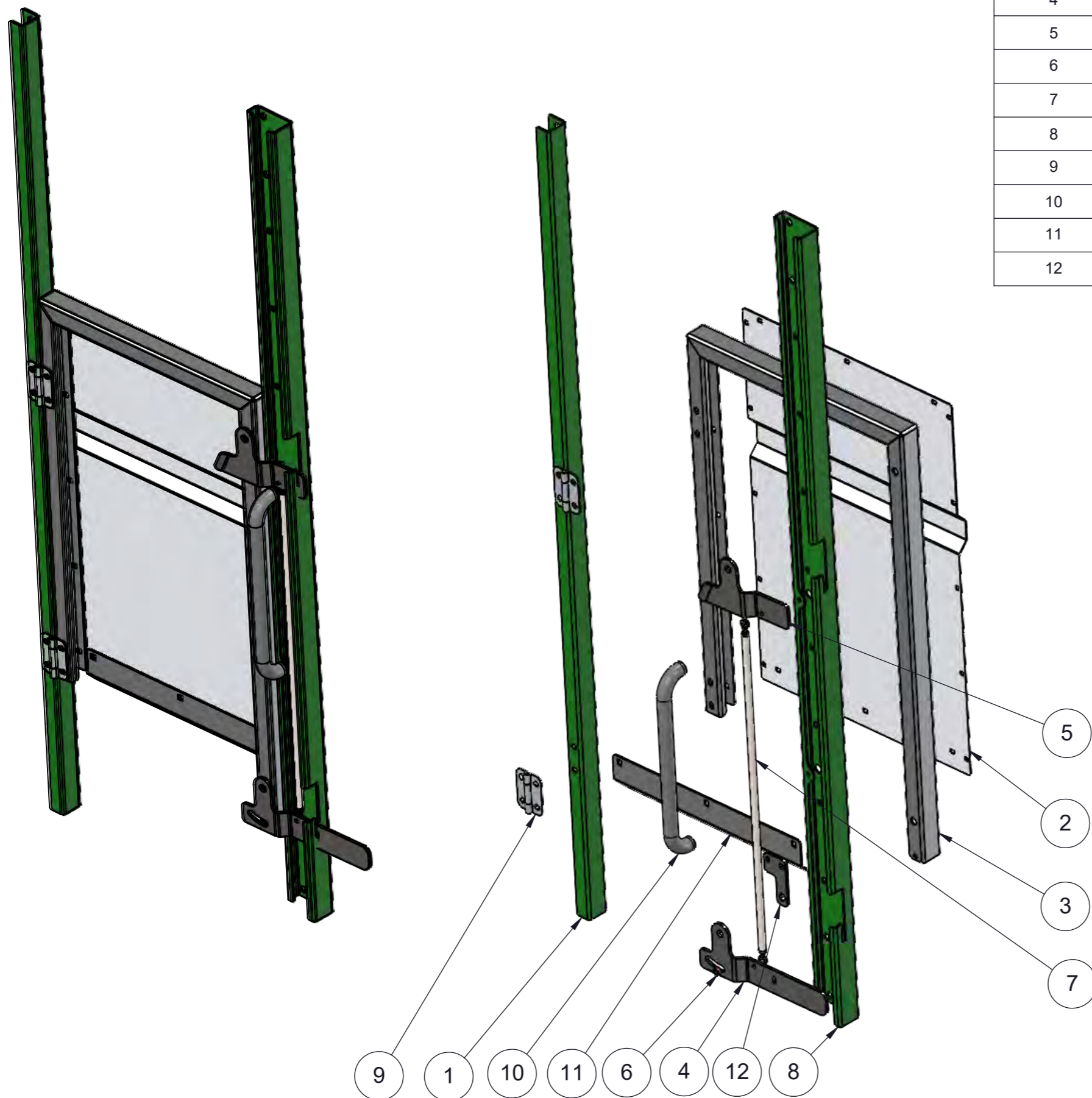


Material:	Thickness:	Surface treatment:	
Tolerance not specified according to: NS-EN 1430:2009.	Sheet scale: 1:20	Drawing number: 32750	Revision: T2
Designed by: Helge	20.03.2026	Projection: A3	Drag montert
Weight			
Content in:	Project:	Replaced by:	


ITEM NO.	PART NUMBER	DESCRIPTION	QTY.
1	32925	Stige sveist	1
2	32922	Sving feste	1
3	31632	Buffer GN 253-32-M8-16-40	2
4	32942	Plast skinne	1
5	32921	Stigefeste	1

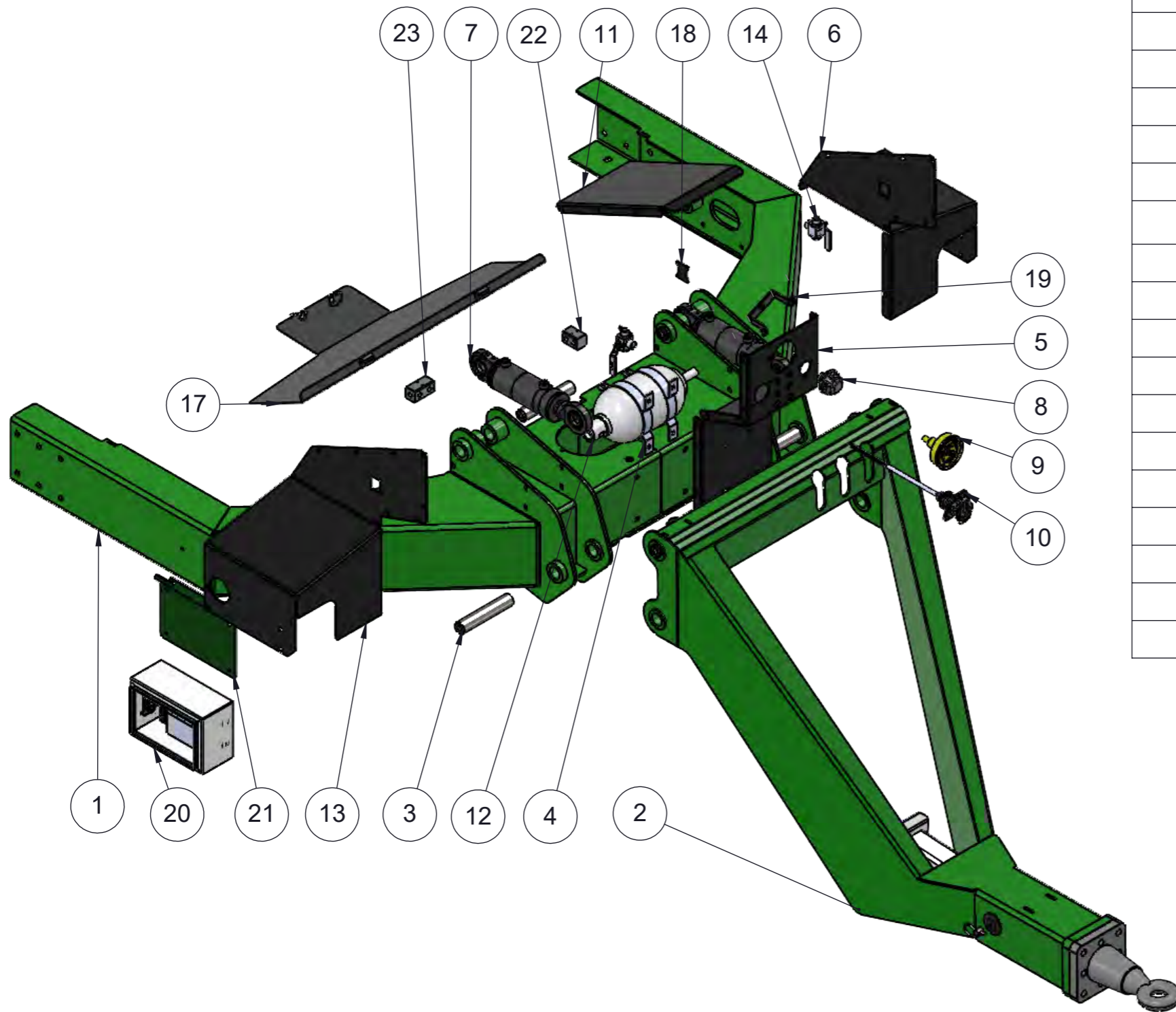


Material:	Thickness:	Surface treatment:	
Tolerance not specified according to: NS-EN 1430:2009.	Sheet scale: 1:20	Drawing number: 32920	Revision: T1
Designed by: Helge	05.02.2026	Weight	Projection: A3
		Stige monterert komplett	
		Content in:	Project:




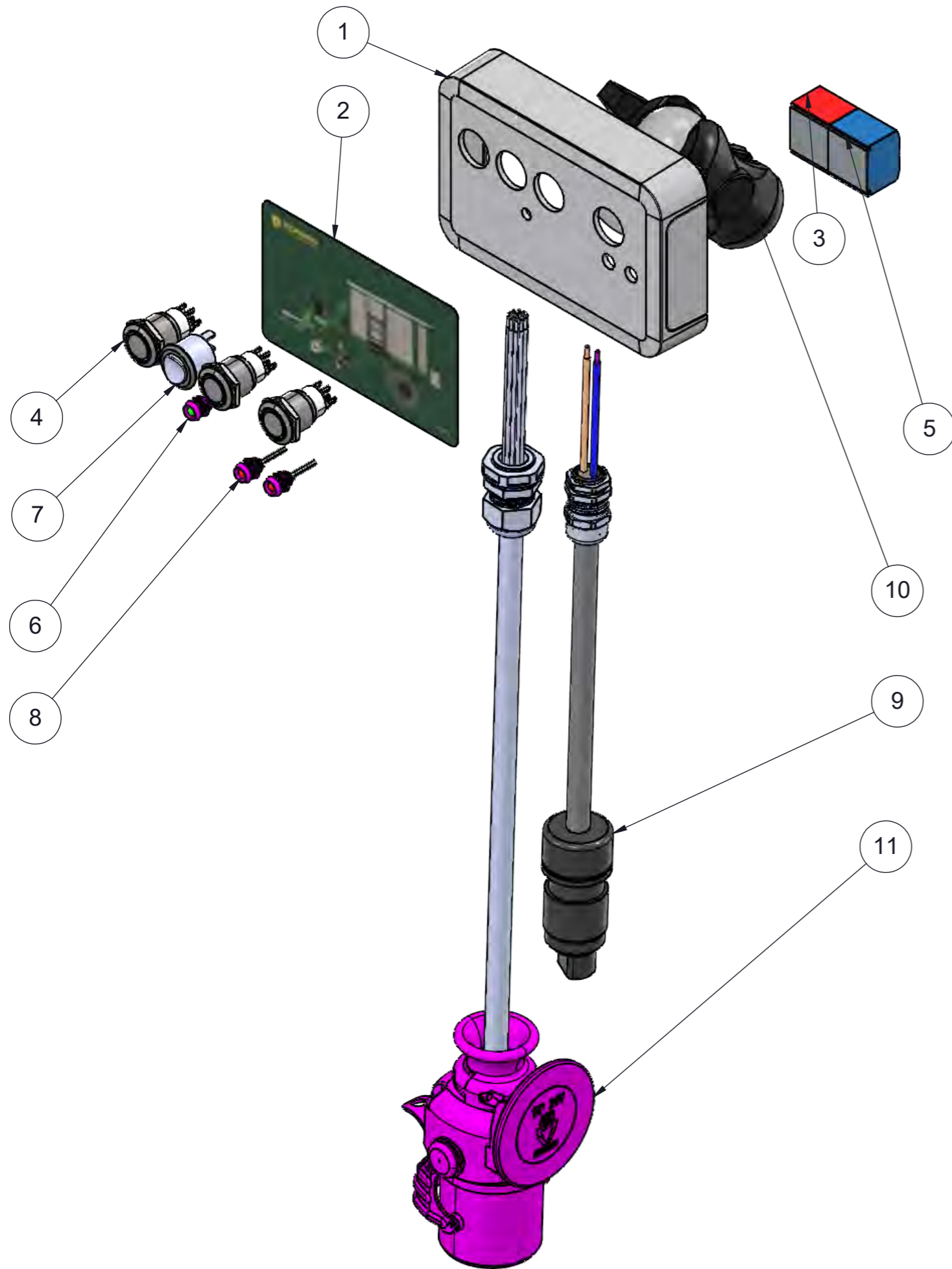
ITEM NO.	PART NUMBER	DESCRIPTION	QTY.
1	32932	Profil med hengsle for luke	1
2	32933	Plate for luke	1
3	32936	Ramme for luke	1
4	32937	Låse handtak	1
5	32938	Lås øvre	1
6	351315	Foring 10,2x16x10mm settherdet	1
7	32940	Låsestag montert	1
8	32931	Profil med lås for luke	1
9	31756	Hengsle	2
10	32904	Handtak	1
11	32943	Forsterkning dør	1
12	32956	Forsterkning luke	1

Material:		Thickness:	Surface treatment:	
Tolerance not specified according to: NS-EN 1430:2009.		Sheet scale:	Drawing number:	Revisjon:
Designed by: Helge		1:20	32935	T2
Weight		Projection: A3	Luke komplett med lås og stolper	
		Content in:		
		Project:		
Replaced by:				

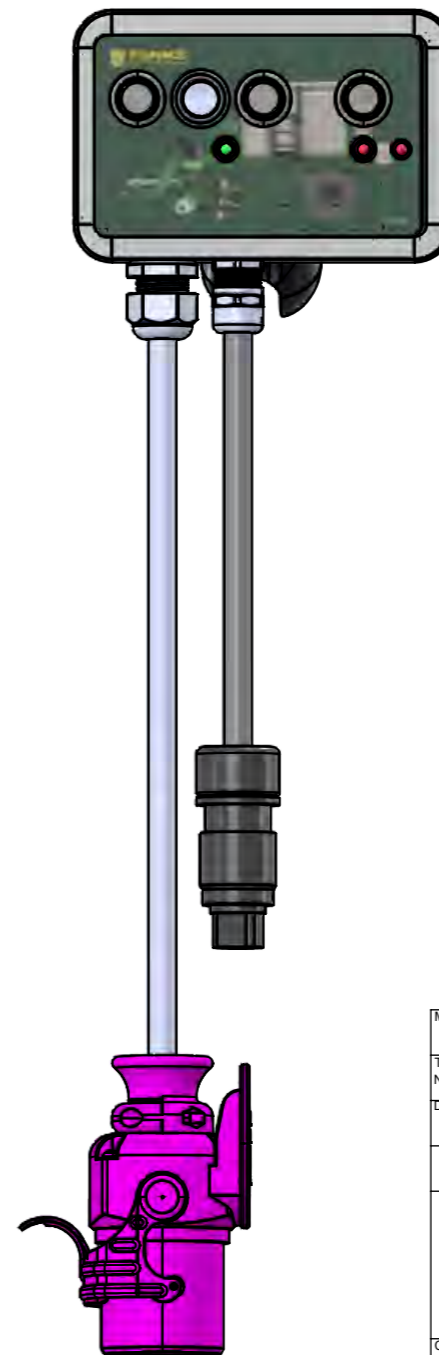


ITEM NO.	PART NUMBER	DESCRIPTION	QTY.
1	32850	Rammeverk for drag	1
2	32750	Drag monterert	1
3	32869	Svingbolt f. drag	4
4	31906	Klammer for trykktank	2
5	32121	Slangeholder	1
6	32123	Sideplate hydraulikk	1
7	32899	Sylinder 80 x 40 x 100	2
8	32906	7 Pole DIN 1724	1
9	32221	100 mm manometer	1
10	32990	Kabel m. 15 pin Jaeger støpsel.	1
11	32122	Toppdeksel	1
12	32182	EHV 4-350/90-A25DC-200 AKKUMULATOR 4 LITER	1
13	32148	Sideplate hydraulikk H.	1
14	32210	KULEVENTIL 3 veis	2
15	17139	Hengsle 410-11	1
16	17132	Hengsle pinne venstre	1
17	32955	Deksel monterert	1
18	32162	Klembrikke	2
19	32222	Bøyle manometer	1
20	32650	El pakke vogn komplett	1
21	32161	Brakett f. koplingboks	1
22	31954	Grenblokk 3/8"	1
23	500012	Grenblokk 3/8" 3 + 3 porter	1

Material:	Thickness:	Surface treatment:	
Tolerance not specified according to: NS-EN 1430:2009.	Sheet scale: 1:50	Drawing number: 32970	Revisjon: T3
Designed by: Helge	17.04.2026	Weight	Projection: A3
Content in:		Project:	
Replaced by:		Drag og ramme monterert	
			

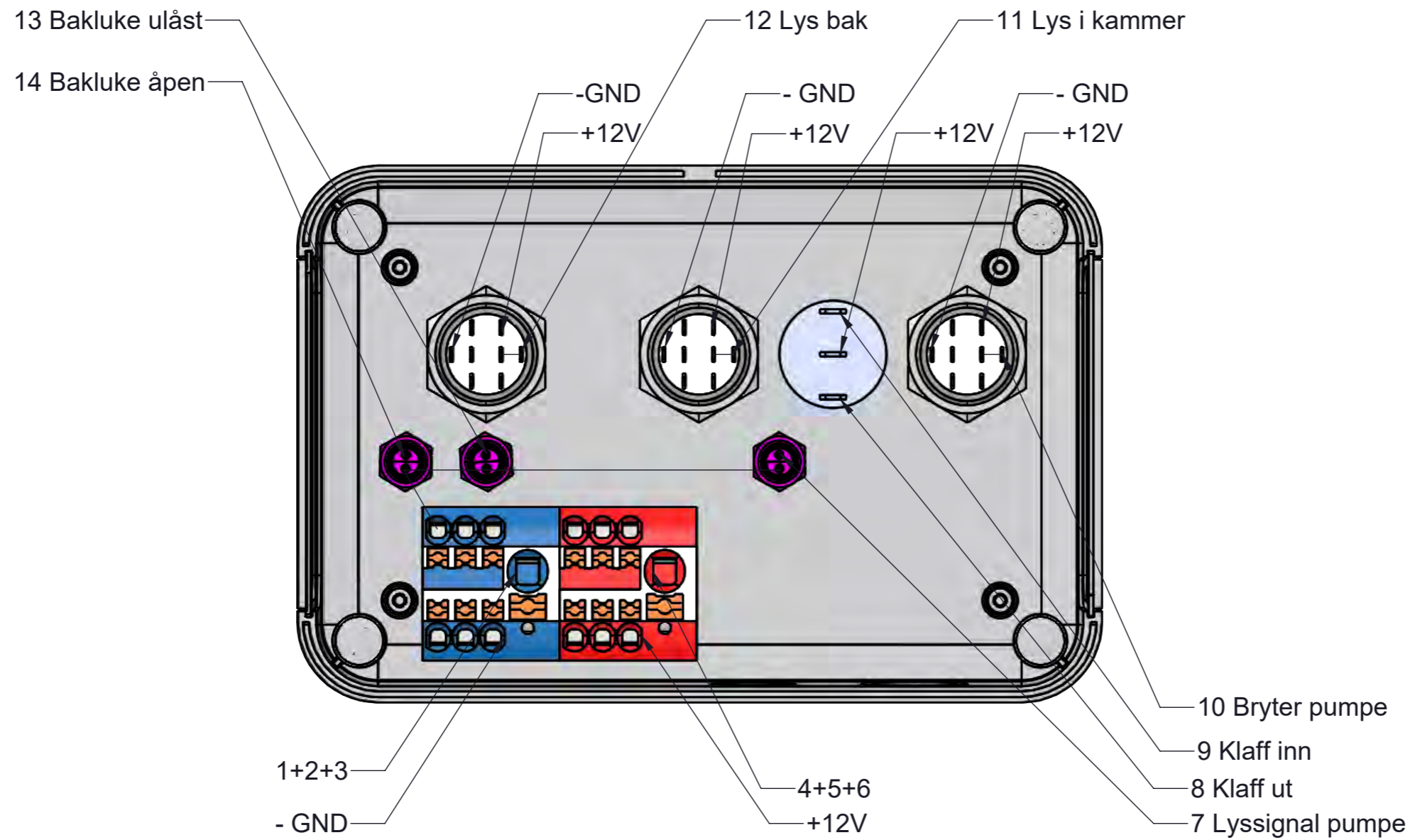


ITEM NO.	PART NUMBER	DESCRIPTION	QTY.
1	7983907	Boks for kontrollenhet	1
2	7996608	Styreboks logo	1
3	32594	PHOENIX 3273334	1
4	7983906	Lysbryter 12V grønn	3
5	32593	PHOENIX 3273332	1
6	32988	Led grønn	1
7	32971	Rocker Switch RS	1
8	32989	Led rød	2
9	32985	12 V strømkabel Fønix m. kontakt	1
10	31900	Ram holder kpl. for styreboks Proessor	1
11	32975	Kabel kpl. f. styreboks Proessor	1



Material:		Thickness:	Surface treatment:	
Tolerance not specified according to: NS-EN 1430:2009.		Sheet scale:	Drawing number:	Revision:
Designed by: Helge		01.06.2026	1:10	32980
Weight		Projection: A3	Styreboks Fønix komplett	
Content in:		Project:	Replaced by:	





Material:		Thickness:	Surface treatment:	
Tolerance not specified according to: NS-EN 1430:2009.		Sheet scale:	Drawing number:	Revision:
Designed by: Helge		01.06.2026	1:10	32980
Weight		Projection: A3	Styreboks Fønix komplett	
Content in:		Project:	Replaced by:	

