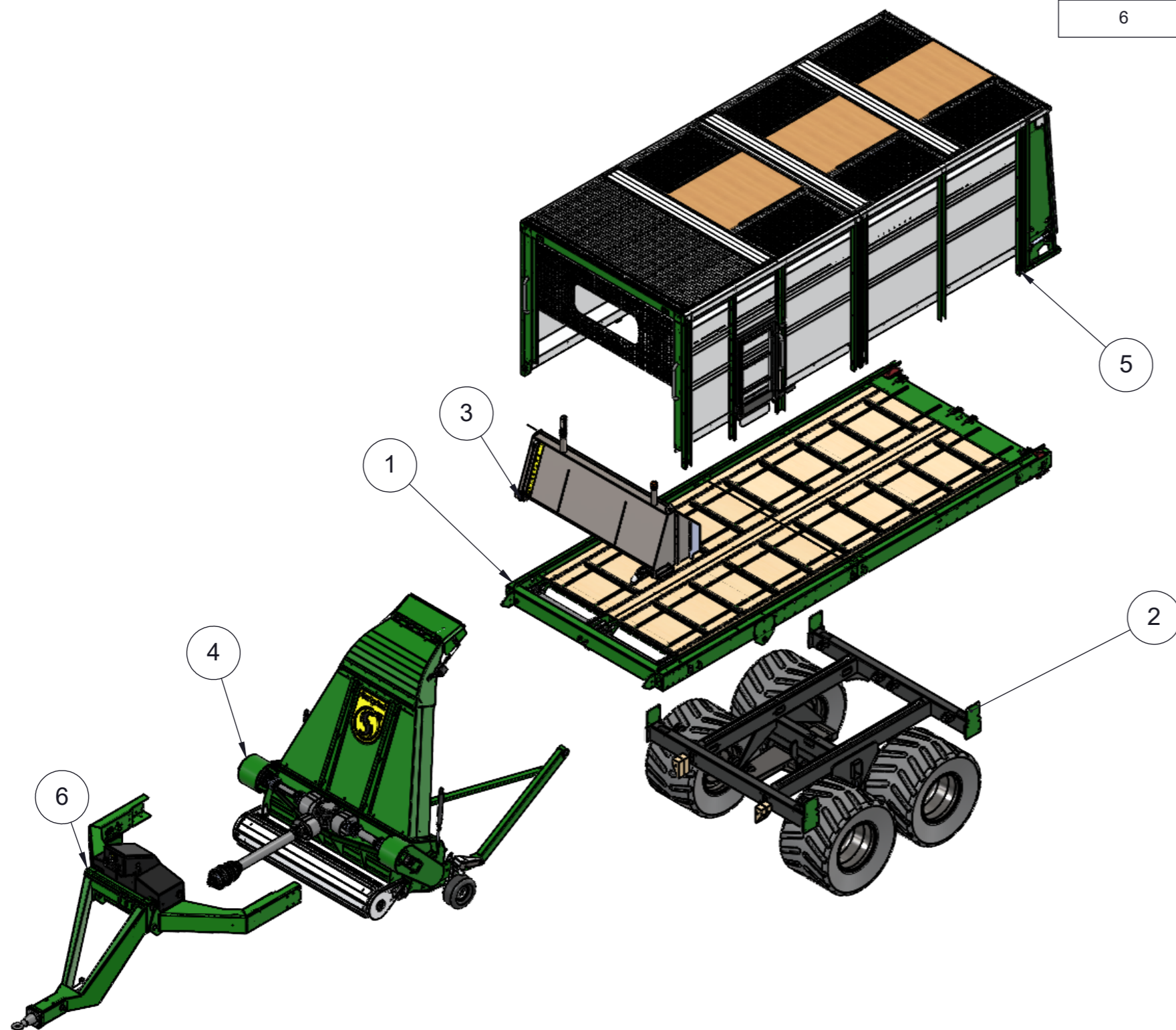
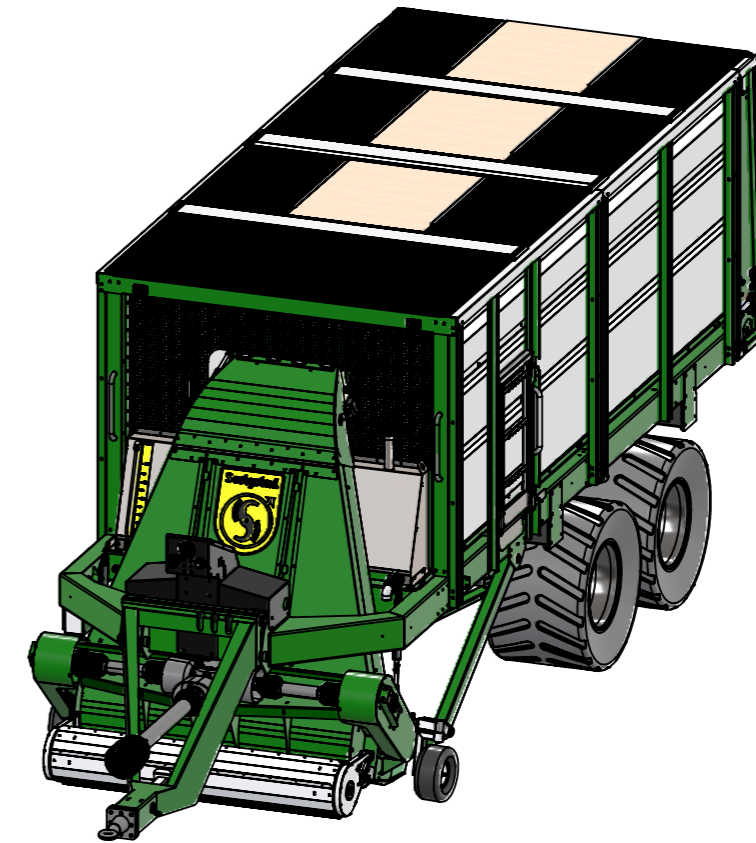
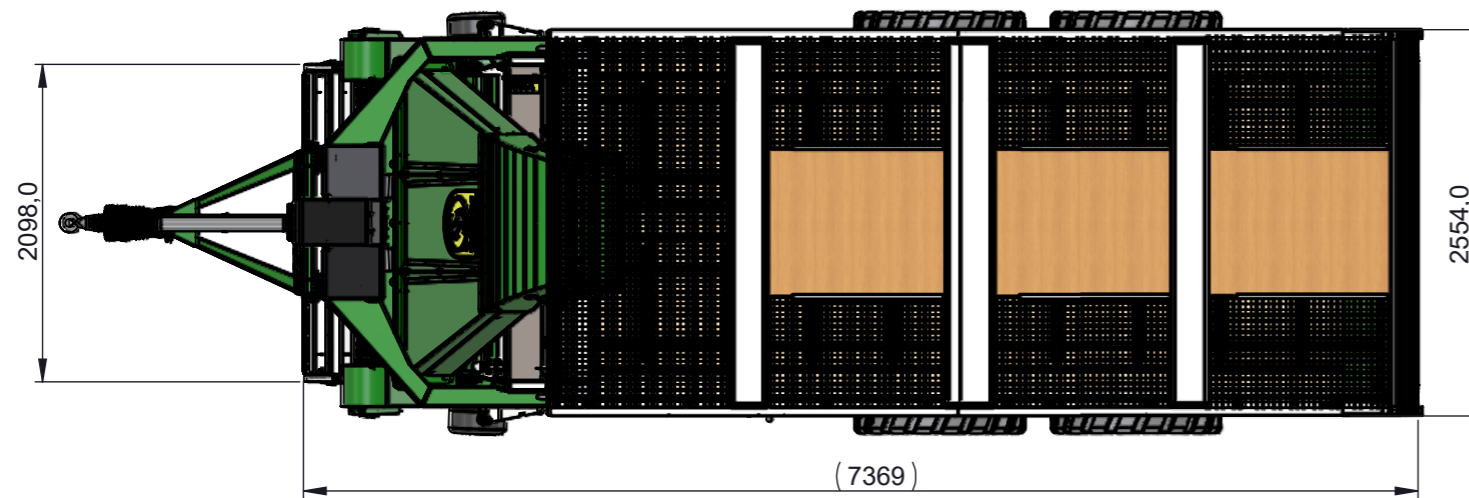
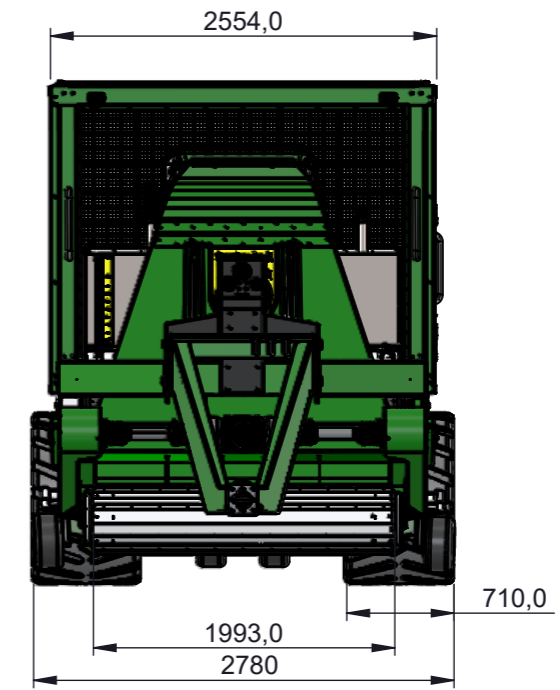
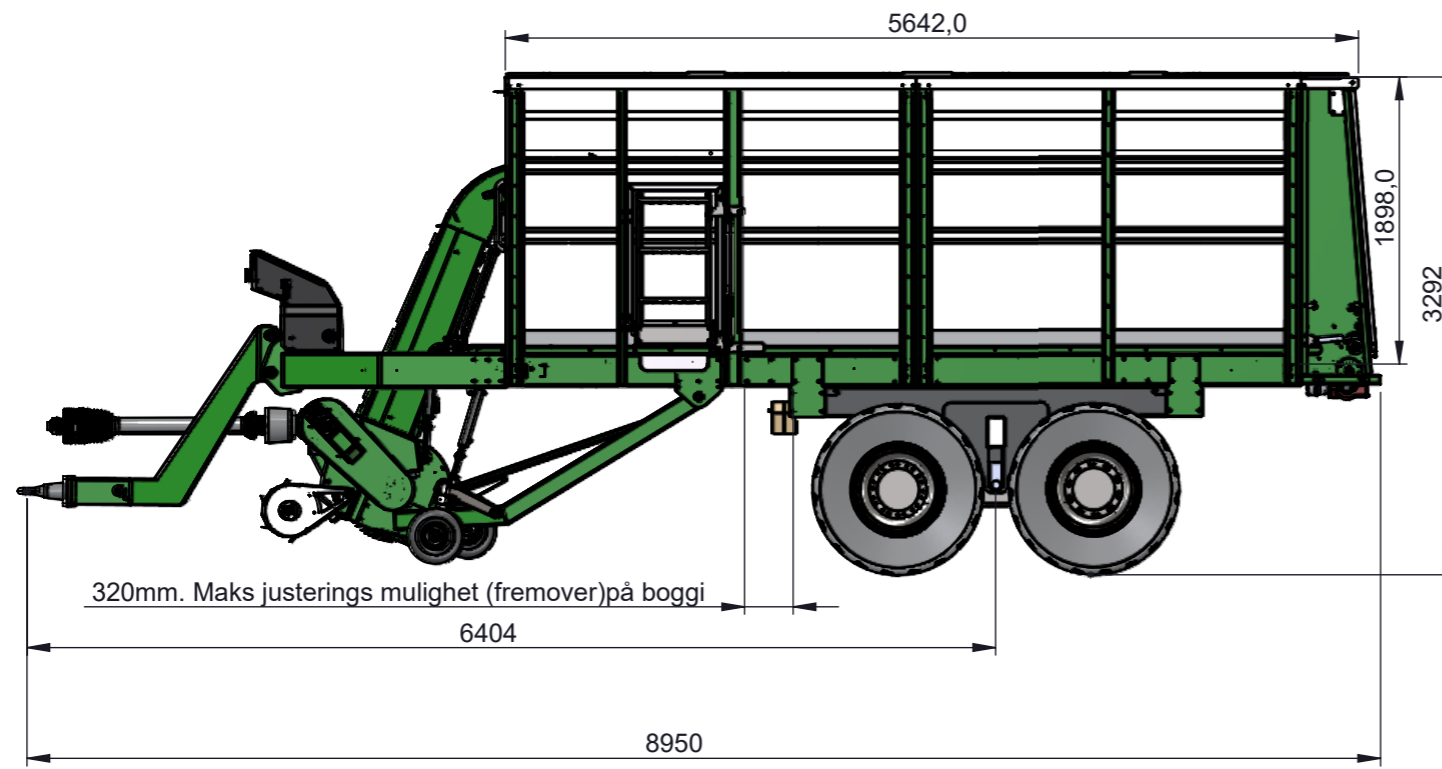


ITEM NO.	PART NUMBER	DESCRIPTION	QTY.
1	31400	Bunramme montert	1
2	31490	Boggiramme montert	1
3	31860	Syretank montert	1
4	31050	Prosesor montert	1
5	32300	Overbygg 25 kubikk	1
6	32970	Drag og ramme montert	1



Material:		Thickness:	Surface treatment:	
Tolerance not specified according to: NS-1430:		Sheet scale:	Drawing number:	Revision:
Designed by: 19.03.2026		1:100	31150	T4
Helge	Weight 5.530 Kg	Projection: A3	Fønix Multikutter 25	
Content in:		Project:	Replaced by:	





Material:		Thickness:	Surface treatment:	
Tolerance not specified according to: NS-1430:		Sheet scale:	Drawing number:	Revision:
Designed by: 19.03.2026		1:100	31150	T4
Helge	Weight 5.530 Kg	Projection: A3	Fønix Multikutter 25	
Content in:		Project:	Replaced by:	

